

LWR VERSION - 2800 RPM

S version

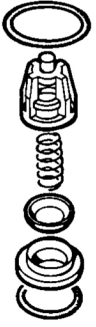
ITEM	PART No.	KIT	DESCRIPTION	Qty.	MODELS
40	0019.0094.00	D	OIL SEAL 25X62X10/7 mm	1	
41	3019.0006.00		SNAP RING C72	1	
42	3020.0012.00		SNAP RING C72	1	2015 S - 2020 S 3016 S - 3020 S 3513 S - 3517 S
43	0438.0075.00		BALL BEARING 25X62X17 mm	1	
	0438.0071.00		BALL BEARING 25X62X17 mm	1	3025 S - 3525 S 4022 S
44	1602.0045.00		KEY 8X7X25 mm	1	
45	0001.0288.00		CRANKSHAFT Ø24 mm	1	3016 S - 3020 S 3025 S
	0001.0290.00		CRANKSHAFT Ø24 mm	1	4022 S
	0001.0331.00		CRANKSHAFT Ø24 mm	1	2015 S - 2020 S
	0001.0333.00		CRANKSHAFT Ø24 mm	1	3513 S - 3517 S 3525 S

E version

ITEM	PART No.	KIT	DESCRIPTION	Qty.	MODELS
52	3609.0032.00		SCREW M6X20	4	
53	3016.0014.00		FLANGE	1	
54	3607.0015.00		SCREW M8X20	4	2015 E - 2020 E
55	0019.0075.00	D	OIL SEAL 35X62X 7 mm	1	
56	3019.0004.00		SNAP RING C72	1	3016 E - 3020 E
57	3020.0012.00		SNAP RING C72	1	3513 E - 3517 E
58	2812.0064.00		WASHER	1	
59	0438.0015.00		BALL BEARING 35X62X14 mm	1	
60	0001.0339.00		CRANKSHAFT Ø24 mm	1	2015 E - 2020 E
	0001.0340.00		CRANKSHAFT Ø24 mm	1	3016 E - 3020 E
	0001.0341.00		CRANKSHAFT Ø24 mm	1	3513 E - 3517 E

COMPLETE VALVE KIT
5025.0011.00

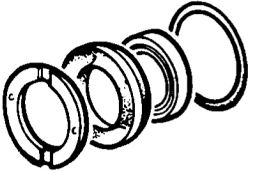
KIT A



5025.0011.00		
ITEM	PART No.	Qty.
4	1210.0046.00	6
5	3009.0087.00	6
6	3604.0017.00	6
7	1802.0177.00	6
8	1205.0025.00	6
9	1210.0048.00	6

PISTON SEAL KIT
Ø 15 mm 5019.0035.00

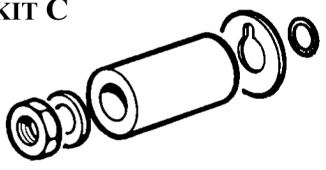
KIT B



5019.0035.00		
ITEM	PART No.	Qty.
20	0009.0196.00	3
21	1241.0034.00	3
22	1241.0030.00	3
24	1210.0223.00	3

PISTON KIT
Ø 15 mm 2409.0071.00

KIT C



2409.0071.00		
ITEM	PART No.	Qty.
26	0600.0048.00	3
27	2811.0080.00	3
28	0202.0020.00	3
29	2812.0038.00	3
30	1210.0055.00	3

5019.0040.00			5019.0041.00		
ITEM	PART No.	Qty.	ITEM	PART No.	Qty.
4	1210.0046.00	6	4	1210.0046.00	6
9	1210.0048.00	6	9	1210.0048.00	6
14	1210.0386.00	1	14	1210.0386.00	1
24	1210.0223.00	3	24	1210.0223.00	3
25	0019.0095.00	3	25	0019.0095.00	3
30	1210.0055.00	3	30	1210.0055.00	3
36	1210.0333.00	1	36	1210.0333.00	1
37	1210.0206.00	1	37	1210.0206.00	1
40	0019.0094.00	1	46	1210.0441.00	1
46	1210.0441.00	1	55	0019.0075.00	1

SEAL KIT
SOLID SHAFT 5019.0040.00
HOLLOW SHAFT 5019.0041.00

KIT D

