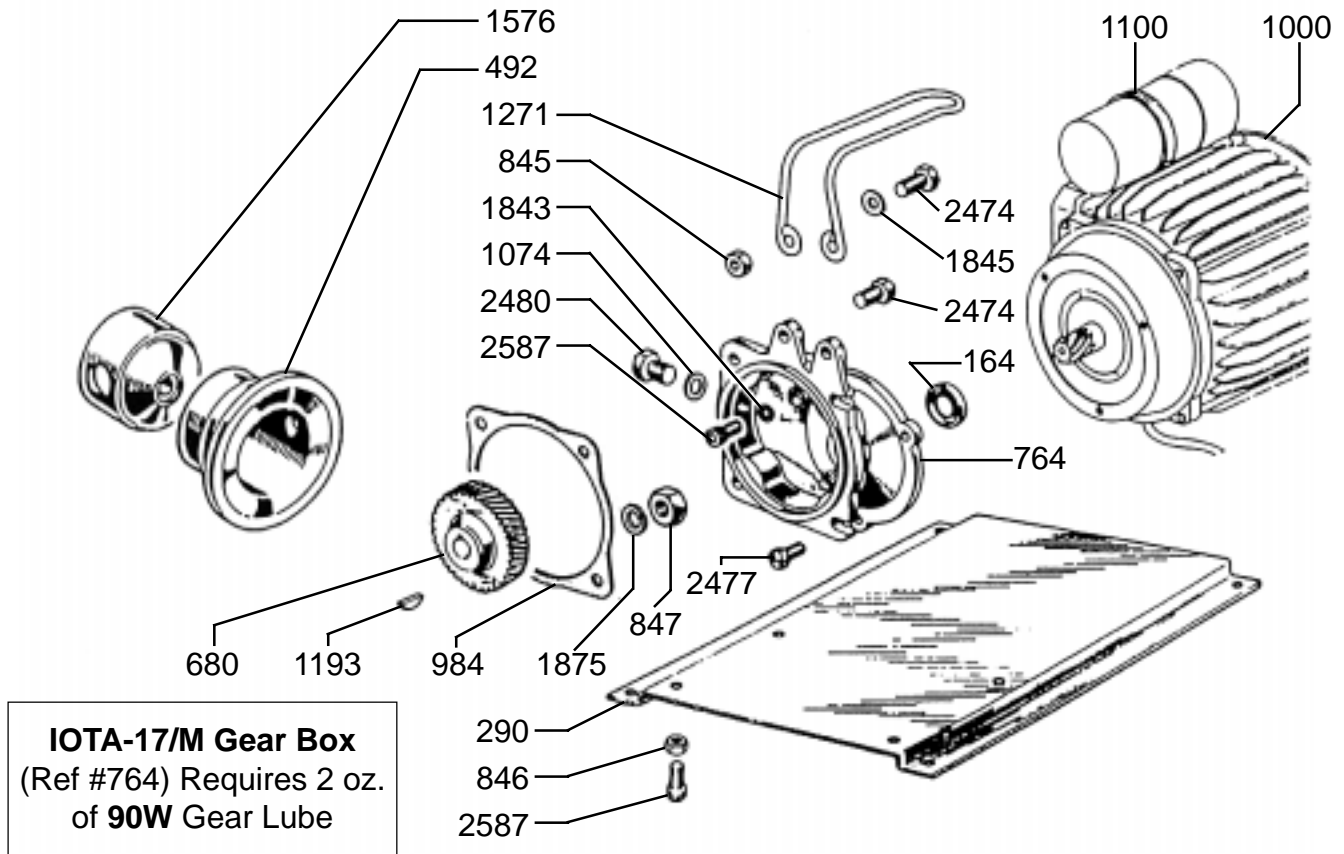


IOTA-17/M

Supplemental Parts List

Parts Listed are In Addition To, or Replacing, Standard IOTA-17 Parts



REF#	PART#	DESCRIPTION	QTY	REF#	PART#	DESCRIPTION	QTY
164	0007.22	Seal	1	1100	1238.73	Capacitor	1
290	0107.03	Base Plate	1	1193	0801.03	Key	1
492	0206.18	Piston Sleeve, IOTA-EM	2	1271	0902.19	IOTA Handle	1
680	0213.18	Gear, IOTA-EM	1	1576	1205.15	Piston, IOTA-EM	2
764	0228.17	Gear Housing	1	1843	1403.07	Washer	1
845	0303.01	Nut	2	1845	1403.10	Washer	4
846	0303.02	Nut	4	1875	1404.01	Lock Washer	1
847	0303.10	Nut	1	2474	1804.57	Bolt	6
984	0602.25	Gasket	1	2477	1804.67	Bolt	2
1000	0908.31	Electric Motor, 1 HP	1	2480	1804.76	Oil Level Plug	1
1074	0605.17	Washer	1	2587	1805.20	Bolt	4

PROTECT PUMP FROM FREEZING

If freezing conditions exist, flush pump with a 50/50 mixture of antifreeze and water

UDOR U.S.A., INC.

500 Apollo Drive
Lino Lakes, MN 55014
TEL. (651) 785-0666
FAX. (800) 732-2670
www.udorusa.com