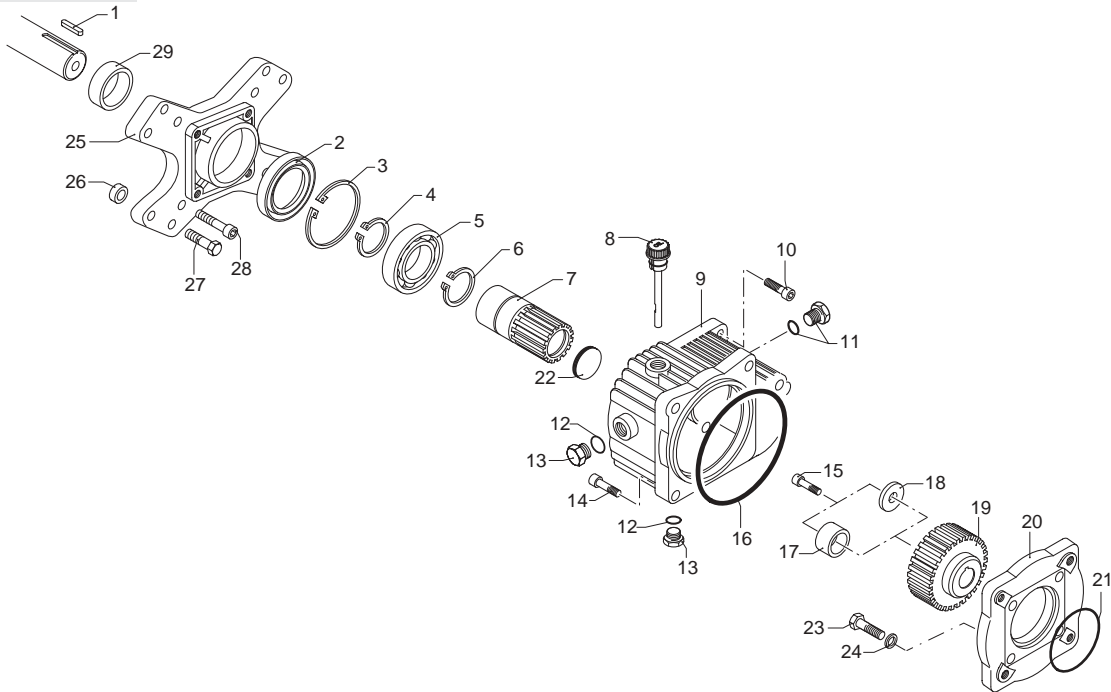


# Gear Box



Pos.	Code	Description	Qty.
1	1382510	Key (8 HP)	1
	881090	Key (9-10 HP)	1
2	1941920	Seal	1
3	961790	Circlip	1
4	320240	Circlip	1
5	961781	Bearing	1
6	320240	Circlip	□◆ 1
7	1382420	Pinion Z=23	○▽ 1
	1382430	Pinion Z=21	□◆ 1
8	1140370	Oil plug & O-Ring	1
9	1320910	Gear box	1
10	881940	Bolt	4
11	1980290	Plug	1
12	740290	O-Ring	2
13	1980740	Brass plug	2
14	160671	Bolt	4
15	880280	Bolt	1
16	1520590	O-Ring	1
17	*1940500	Spacer long shaft	▽◆ 1
18	*780230	Washer short shaft	○□ 1
19	1321230	Gear Z=45	○▽ 1
	1320960	Gear Z=47	□◆ 1
20	1320930	Flange	1
21	640030	O-Ring	1
22	1382530	Pinion seal	1
23	180430	Bolt ○□ (XM only)	4
	390450	Bolt	4
24	1260100	Washer	4
25	1320940	Motor flange	1
26	961770	Spacer	4
27	961900	Bolt	4
28	651000	Bolt	4
29	1382540	Spacer	1

## Legend

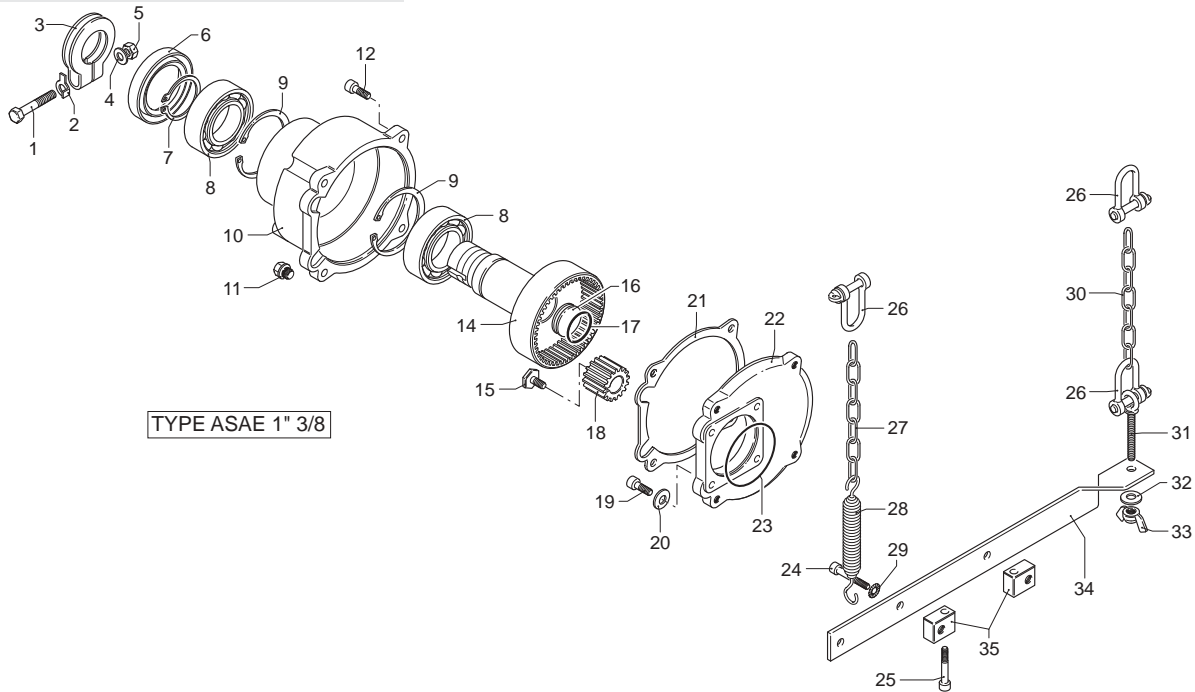
For ○	For □	For ▽	For ◆
<b>Code: 1690</b>	<b>Code: 1689</b>	<b>Code: 1697</b>	<b>Code: 1698</b>
Reduction: 1:2 XM/XMA Series XRC/XRCA Series	Reduction: 1:2.24 XM Series XRC Series	Reduction: 1:2 XW/XWA Series	Reduction: 1:2.24 XW Series

## Repair Kits

Oil Seals		Bolts/Bushings	
Kit 2793		Kit 2802	
Pos.	Qty.	Pos.	Qty.
2	1	1	1
3	1	26	4
4	1	27	4
6	1	28	4
12	2	29	1
16	1		
21	1		

\* Usage is determined by long shaft or short shaft

# Gear Box P.T.O.



TYPE ASAE 1" 3/8

Pos.	Code	Description	Qty.
1	320170	Screw	1
2	500171	Washer	1
3	500160	Clamp	1
4	320131	Washer	1
5	320130	Nut	1
6	961320	Seal	1
7	961310	Circlip	1
8	961300	Bearing	2
9	230340	Circlip	2
10	1381430	Gear box	1
11	621240	Plug	1
12	320360	Screw	4
14	961220	Gear	1
15	1381470	Screw	1
16	961230	Seal disc	1
17	961240	O-Ring	1
18	1381450	Pinion	1
19	390450	Screw	4
20	1260100	Washer	4
21	1381460	Gasket	1
22	1381440	Flange	1
23	640030	O-Ring	1
24	540290	Screw	2
25	620610	Screw	2
26	650340	Chain hook	3
27	650361	Chain	1
28	650380	Spring	1
29	961340	Washer	2
30	650360	Chain	1
31	320630	Tie rod	1
32	320620	Washer	1
33	320610	Wing nut	1
34	961291	Bracket	1
35	1381480	Bracket fitting	2

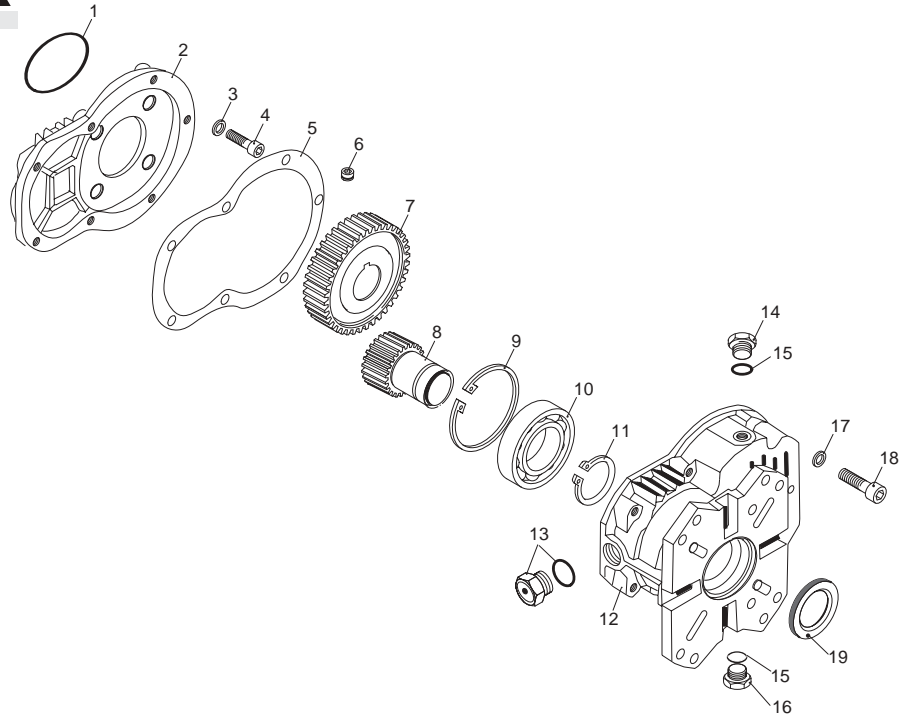
## Legend

**Code: 1696**  
2,65:1 Overgear for tractor P.T.O.  
RK Series

## Repair Kits

Oil Seals	
Kit 2794	
Pos.	Qty.
6	1
7	1
9	2
17	1
21	1
23	1

# Gear Box



Pos.	Code	Description	Qty.
1	8367172	O-Ring	1
2	8367604	Flange cover	1
3	8367204	Washer	1
4	8367503	Bolt	1
5	8367242	Gasket	1
6	8367407	Set screw	1
7	8367327	Pinion	1
8	8367429	Pinion 1"	○ 1
9	8367431	Pinion 1 1/8"	□ 1
9	8367621	Circlip	1
10	8367414	Bearing	1
11	8367620	Circlip	1
12	8367830	Body	1
13	8367306	Sight glass w/O-Ring	1
14	8367381	Cap	1
15	8367543	O-Ring	2
16	8367302	Cap	1
17	8367102	Washer	1
18	8367523	Bolt	1
19	8367733	Seal	1

## Legend

For ○	For □
<b>Code: 1600</b>	<b>Code: 1601</b>
Reduction: 1:2.24	Reduction: 1:2.24
1" Shaft	1 1/8" Shaft
RK/XR/XW/SXW Series	