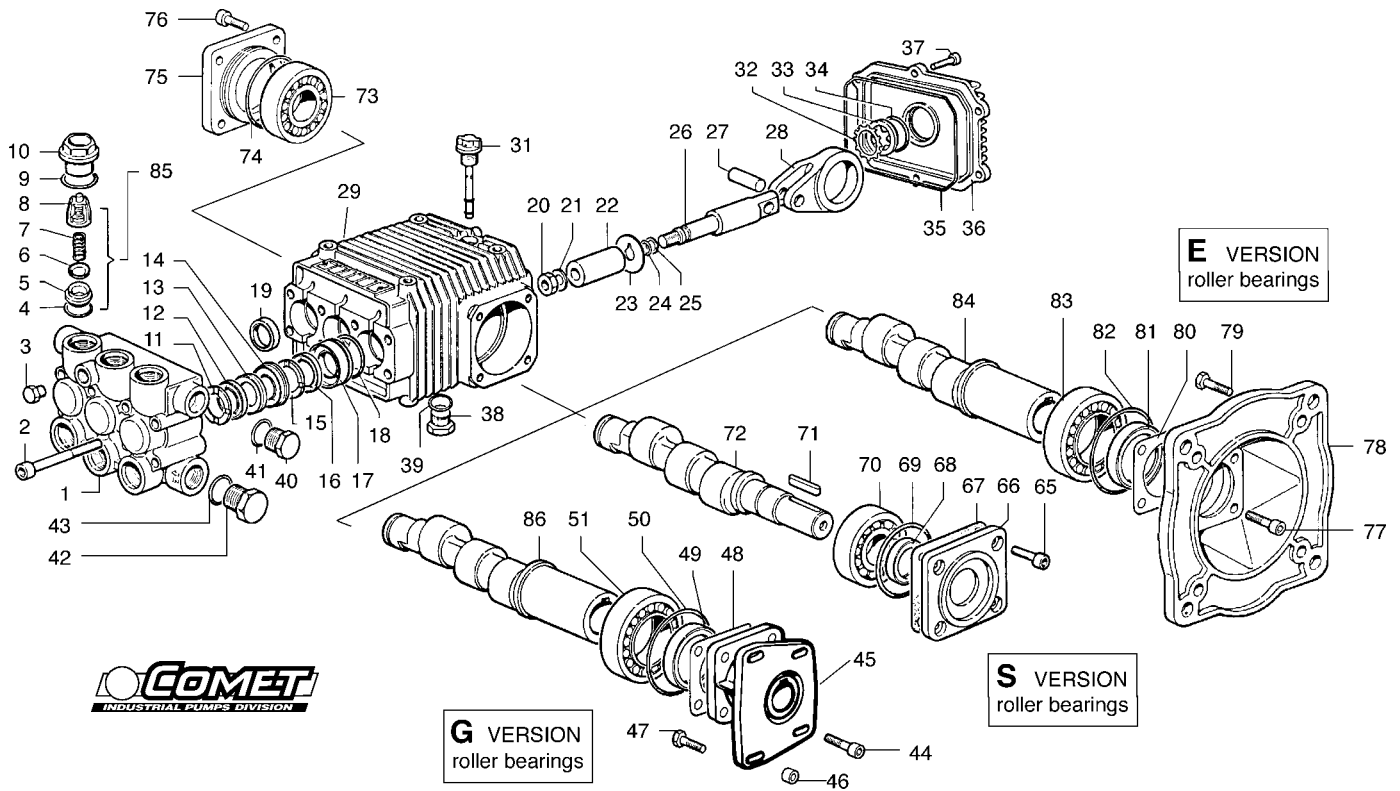


FWS VERSION - ROLLER BEARINGS - 1750 RPM



| ITEM | PART No. | KIT | DESCRIPTION | Qty. | MODELS |
|------|--------------|-----|------------------------|------|--|
| 1 | 3218.0109.00 | | MANIFOLD Ø 20 mm | 1 | 5520 S - 5525 S 6020 S - 5530 E |
| | 3218.0110.00 | | MANIFOLD Ø 18 mm | 1 | 3530 S - 3530 E 4030 S - 4030 E 4030 G - 4525 S 4530 S - 4530 E |
| 2 | 3609.0039.00 | | SCREW M8X70 | 8 | |
| 3 | 3202.0112.00 | | CAP G1/4" | 1 | |
| 4 | 1210.0046.00 | A-D | O-RING 2,62X 17,13 mm | 6 | |
| 5 | 3009.0087.00 | A | VALVE SEAT | 6 | |
| 6 | 3604.0017.00 | A | VALVE PLATE | 6 | |
| 7 | 1802.0177.00 | A | SPRING | 6 | |
| 8 | 1205.0025.00 | A | VALVE CAGE | 6 | |
| 9 | 1210.0048.00 | A-D | O-RING 2,62X 20,24 mm | 6 | |
| 10 | 3202.0155.00 | | CAP | 6 | |
| 11 | 0009.0108.00 | B | HEAD RING Ø20 mm | 3 | 5520 S - 5525 S 6020 S - 5530 E |
| | 0009.0199.00 | B | HEAD RING Ø18 mm | 3 | 3530 S - 3530 E 4030 S - 4030 E 4030 G - 4525 S 4530 S - 4530 E |
| 12 | 1241.0032.00 | B | PACKING Ø 20 mm | 3 | 5520 S - 5525 S 6020 S - 5530 E |
| | 1241.0026.00 | B | PACKING Ø 18 mm | 3 | 3530 S - 3530 E 4030 S - 4030 E 4030 G - 4525 S 4530 S - 4530 E |
| 13 | 0009.0100.00 | B | PACKING Ø18 mm | 3 | 3530 S - 3530 E 4030 S - 4030 E 4030 G - 4525 S 4530 S - 4530 E |
| | 0009.0104.00 | B | PACKING Ø20 mm | 3 | 5520 S - 5525 S 6020 S - 5530 E |
| 14 | 0009.0114.00 | | INTERMED. RING Ø 20 mm | 3 | 5520 S - 5525 S 6020 S - 5530 E |
| | 0009.0200.00 | | INTERMED. RING Ø 18 mm | 3 | 3530 S - 3530 E 4030 S - 4030 E 4030 G - 4525 S 4530 S - 4530 E |
| 15 | 0009.0108.00 | B | HEAD RING Ø 20 mm | 3 | 5520 S - 5525 S 6020 S - 5530 E |
| | 0009.0199.00 | B | HEAD RING Ø 18 mm | 3 | 3530 S - 3530 E 4030 S - 4030 E 4030 G - 4525 S 4530 S - 4530 E |
| 16 | 1241.0032.00 | B | PACKING Ø 20 mm | 3 | 5520 S - 5525 S 6020 S - 5530 E |
| | 1241.0026.00 | B | PACKING Ø 18 mm | 3 | 3530 S - 3530 E 4030 S - 4030 E 4030 G - 4525 S 4530 S - 4530 E |

| ITEM | PART No. | KIT | DESCRIPTION | Qty. | MODELS |
|------|--------------|-----|-------------------------|------|--|
| 17 | 0009.0102.00 | | PACKING RETAINER Ø18 mm | 3 | 3530 S - 3530 E 4030 S - 4030 E 4030 G - 4525 S 4530 S - 4530 E |
| | 0009.0106.00 | | PACKING RETAINER Ø20 mm | 3 | 5520 S - 5525 S 6020 S - 5530 E |
| 18 | 1210.0156.00 | B-D | O-RING 1,78X31,47 mm | 3 | |
| 19 | 0019.0066.00 | D | OIL SEAL 20X30X5 mm | 3 | |
| 20 | 0600.0054.00 | C | NUT | 3 | |
| 21 | 2811.0082.00 | C | WASHER 8,2X17X1,5 mm | 3 | |
| 22 | 0202.0022.00 | C | PISTON Ø18 mm | 3 | 3530 S - 3530 E 4030 S - 4030 E 4030 G - 4525 S 4530 S - 4530 E |
| | 0202.0024.00 | C | PISTON Ø20 mm | 3 | 5520 S - 5525 S 6020 S - 5530 E |
| 23 | 2812.0042.00 | C | WASHER | 3 | |
| 24 | 1210.0039.00 | C-D | O-RING 1,78X 7,66 mm | 3 | |
| 25 | 0009.0170.00 | C-D | ANTI-EXTR. RING | 3 | |
| 26 | 2409.0048.00 | | PISTON GUIDES | 3 | |
| 27 | 3011.0016.00 | | WRIST. PIN Ø10X29 mm | 3 | |
| 28 | 0205.0044.00 | | CON. ROD | 3 | |
| 29 | 0403.0129.00 | | CRANKCASE | 1 | 3530 S - 4030 S 4525 S - 4530 S 5520 S - 5525 S 6020 S |
| | 0403.0130.00 | | CRANKCASE | 1 | 3530 E - 4030 E 4030 G - 4530 E 5530 E |
| 31 | 3200.0051.00 | | OIL DIPSTICK | 1 | |
| 32 | 3019.0033.00 | | SNAP RING Ø18 mm | 1 | |
| 33 | 3201.0012.00 | | OIL INDICATOR | 1 | |
| 34 | 1210.0333.00 | D | O-RING 1,78X23,52 mm | 1 | |
| 35 | 1210.0216.00 | D | O-RING 2,62X107,62 mm | 1 | |
| 36 | 0402.0169.00 | | CRANKCASE COVER | 1 | |
| 37 | 3609.0030.00 | | SCREW M5X20 | 6 | |
| 38 | 3200.0007.00 | | CAP 3/8 GAS | 1 | |
| 39 | 1210.0093.00 | D | O-RING 1,78X 14 mm | 1 | |
| 40 | 3200.0007.00 | | CAP 3/8 GAS | 1 | |
| 41 | 2811.0084.00 | | WASHER 16,7X22X1,5 mm | 1 | |
| 42 | 3202.0015.00 | | CAP G1/2 | 1 | |
| 43 | 2811.0086.00 | | WASHER 21,2X27X1,5 mm | 1 | |
| 44 | 0440.0012.00 | | ROLLER BEARING | 1 | |
| 45 | 1210.0388.00 | D | O-RING | 1 | |
| 46 | 0402.0171.00 | | FLANGE | 1 | |
| 47 | 3609.0032.00 | | SCREW M6X20 | 4 | |
| 48 | 1220.0030.00 | | VALVE ASS. BLY. | 6 | |

FWS VERSION - ROLLER BEARINGS - 1750 RPM

S version

| ITEM | PART No. | KIT | DESCRIPTION | Qty. | MODELS |
|------|--------------|-----|---------------------|------|------------------------------------|
| 65 | 3609.0058.00 | | SCREW M8X22 | 4 | |
| 66 | 0402.0170.00 | | FLANGE | 1 | |
| 67 | 0601.0218.00 | | SHIM Ø62 0,05 mm | 1 | |
| | 0601.0220.00 | | SHIM Ø62 0,10 mm | 1 | |
| | 0601.0222.00 | | SHIM Ø62 0,19 mm | 1 | |
| | 0601.0259.00 | | SHIM Ø62 0,25 mm | 1 | |
| 68 | 0019.0007.00 | D | OIL SEAL 25X52X7 mm | 1 | |
| 69 | 1210.0388.00 | D | O-RING | 1 | |
| 70 | 0440.0012.00 | | ROLLER BEARING | 1 | |
| 71 | 1602.0013.00 | | KEY 8X7X30 mm | 1 | |
| 72 | 0001.0324.00 | | CRANKSHAFT Ø24 mm | 1 | 4030 S |
| | 0001.0325.00 | | CRANKSHAFT Ø24 mm | 1 | 6020 S |
| | 0001.0345.00 | | CRANKSHAFT Ø24 mm | 1 | 3530 S |
| | 0001.0346.00 | | CRANKSHAFT Ø24 mm | 1 | 4525 S - 4530 S 5520 S - 5525 S |

E version

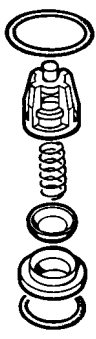
| ITEM | PART No. | KIT | DESCRIPTION | Qty. | MODELS |
|------|--------------|-----|-------------------------|------|----------------|
| 77 | 3609.0058.00 | | SCREW M8X22 | 4 | |
| 78 | 3016.0017.00 | | FLANGE | 1 | |
| 79 | 3607.0201.00 | | SCREW 1/2"-13 | 4 | |
| 80 | 0601.0210.00 | | SHIM Ø68 0,05 mm | 1 | |
| | 0601.0212.00 | | SHIM Ø68 0,10 mm | 1 | |
| | 0601.0214.00 | | SHIM Ø68 0,19 mm | 1 | |
| | 0601.0216.00 | | SHIM Ø68 0,25 mm | 1 | |
| 81 | 0019.0052.00 | D | OIL SEAL 40X52X7 mm | 1 | |
| 82 | 1210.0109.00 | D | O-RING 1,78X 63,22 mm | 1 | |
| 83 | 0440.0011.00 | | ROLLER BEARING 40X68X19 | 1 | |
| 84 | 0001.0355.00 | | CRANKSHAFT 1"1/8" | 1 | 3530 E |
| | 0001.0356.00 | | CRANKSHAFT 1"1/8" | 1 | 4030 E |
| | 0001.0357.00 | | CRANKSHAFT 1"1/8" | 1 | 4530 E -5530 E |

G version only FWS 4030

| ITEM | PART No. | KIT | DESCRIPTION | Qty. | MODELS |
|------|--------------|-----|-------------------------|------|--------|
| 44 | 3609.0058.00 | | SCREW M8X22 | 4 | |
| 45 | 3016.0022.00 | | FLANGE | 1 | |
| 46 | 0601.0270.00 | | SPACER Ø18X9X4,8 mm | 2 | |
| 47 | 3609.0058.00 | | SCREW M8X22 | 4 | |
| | 0601.0210.00 | | SHIM Ø68 0,05 mm | 1 | |
| | 0601.0212.00 | | SHIM Ø68 0,10 mm | 1 | |
| | 0601.0214.00 | | SHIM Ø68 0,19 mm | 1 | |
| 48 | 0601.0216.00 | | SHIM Ø68 0,25 mm | 1 | |
| | 0019.0052.00 | D | OIL SEAL 40X52X7 mm | 1 | |
| 49 | 0019.0052.00 | D | OIL SEAL 40X52X7 mm | 1 | |
| 50 | 1210.0109.00 | D | O-RING 1,78X 63,22 mm | 1 | |
| 51 | 0440.0011.00 | | ROLLER BEARING 40X68X19 | 1 | |
| 86 | 0001.0380.00 | | CRANKSHAFT Ø25 mm | 1 | |

COMPLETE VALVE KIT
5025.0011.00

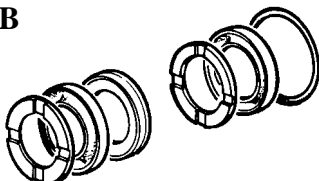
KIT A



| ITEM | PART No. | Qty. |
|------|--------------|------|
| 4 | 1210.0046.00 | 6 |
| 5 | 3009.0087.00 | 6 |
| 6 | 3604.0017.00 | 6 |
| 7 | 1802.0177.00 | 6 |
| 8 | 1205.0025.00 | 6 |
| 9 | 1210.0048.00 | 6 |

PISTON SEAL KIT
Ø 18 mm 5019.0038.00 - Ø 20 mm 5019.0039.00

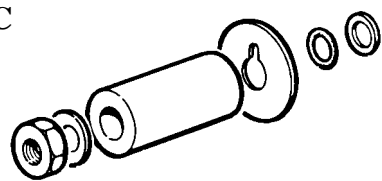
KIT B



| 5019.0038.00 | | | 5019.0039.00 | | |
|--------------|--------------|------|--------------|--------------|------|
| ITEM | PART No. | Qty. | ITEM | PART No. | Qty. |
| 11 | 0009.0199.00 | 3 | 11 | 0009.0108.00 | 3 |
| 12 | 1241.0026.00 | 3 | 12 | 1241.0032.00 | 3 |
| 13 | 0009.0100.00 | 3 | 13 | 0009.0104.00 | 3 |
| 15 | 0009.0199.00 | 3 | 15 | 0009.0108.00 | 3 |
| 16 | 1241.0026.00 | 3 | 16 | 1241.0032.00 | 3 |
| 18 | 1210.0156.00 | 3 | 18 | 1210.0156.00 | 3 |

PISTON KIT
Ø 18 mm 2409.0073.00 - Ø 20 mm 2409.0074.00

KIT C



| 2409.0073.00 | | | 2409.0074.00 | | |
|--------------|--------------|------|--------------|--------------|------|
| ITEM | PART No. | Qty. | ITEM | PART No. | Qty. |
| 20 | 0600.0054.00 | 3 | 20 | 0600.0054.00 | 3 |
| 21 | 2811.0082.00 | 3 | 21 | 2811.0082.00 | 3 |
| 22 | 0202.0022.00 | 3 | 22 | 0202.0024.00 | 3 |
| 23 | 2812.0042.00 | 3 | 23 | 2812.0042.00 | 3 |
| 24 | 1210.0039.00 | 3 | 24 | 1210.0039.00 | 3 |
| 25 | 0009.0170.00 | 3 | 25 | 0009.0170.00 | 3 |

| 5019.0044.00 | | | 5019.0045.00 | | |
|--------------|--------------|------|--------------|--------------|------|
| ITEM | PART No. | Qty. | ITEM | PART No. | Qty. |
| 4 | 1210.0046.00 | 6 | 4 | 1210.0046.00 | 6 |
| 9 | 1210.0048.00 | 6 | 9 | 1210.0048.00 | 6 |
| 18 | 1210.0156.00 | 3 | 18 | 1210.0156.00 | 3 |
| 19 | 0019.0066.00 | 3 | 19 | 0019.0066.00 | 3 |
| 24 | 1210.0039.00 | 3 | 24 | 1210.0039.00 | 3 |
| 25 | 0009.0170.00 | 3 | 25 | 0009.0170.00 | 3 |
| 34 | 1210.0333.00 | 1 | 34 | 1210.0333.00 | 1 |
| 35 | 1210.0216.00 | 1 | 35 | 1210.0216.00 | 1 |
| 39 | 1210.0441.00 | 1 | 39 | 1210.0441.00 | 1 |
| 68 | 0019.0007.00 | 1 | 74 | 1210.0388.00 | 1 |
| 69 | 1210.0388.00 | 1 | 81 | 0019.0052.00 | 1 |
| 74 | 1210.0388.00 | 1 | 82 | 1210.0109.00 | 1 |

SEAL KIT
SOLID SHAFT 5019.0044.00
HOLLOW SHAFT 5019.0045.00

KIT D

