

FEATURES

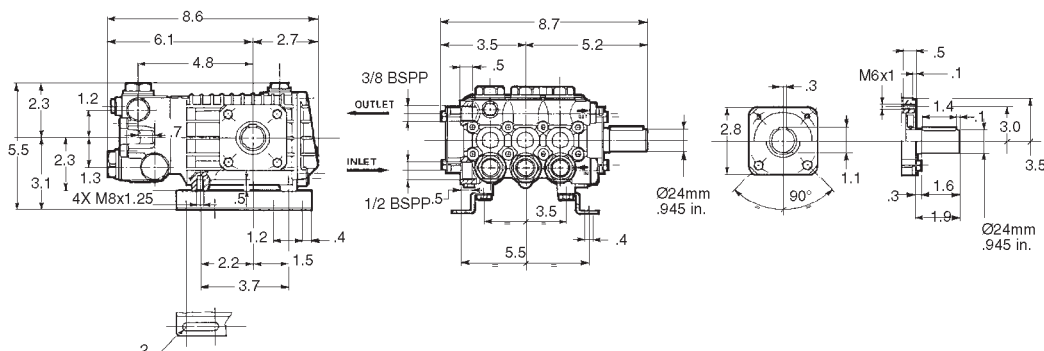
- Innovative one-piece plunger design
- 5% reduction in crankcase load compared to standard 3,000 psi – 15 mm pumps
- Superior plunger performance against thermal shock and cavitation due to new, unique bonding process
- Standard 24 mm solid shaft for pulley mounting
- Forged brass manifold with a 3:1 hydrostatic rating
- Die-cast, anodized aluminum, oil-bath crankcase
- Premium roller bearing
- Unitized stainless steel inlet and discharge valves
- Available in “L” left-handed versions



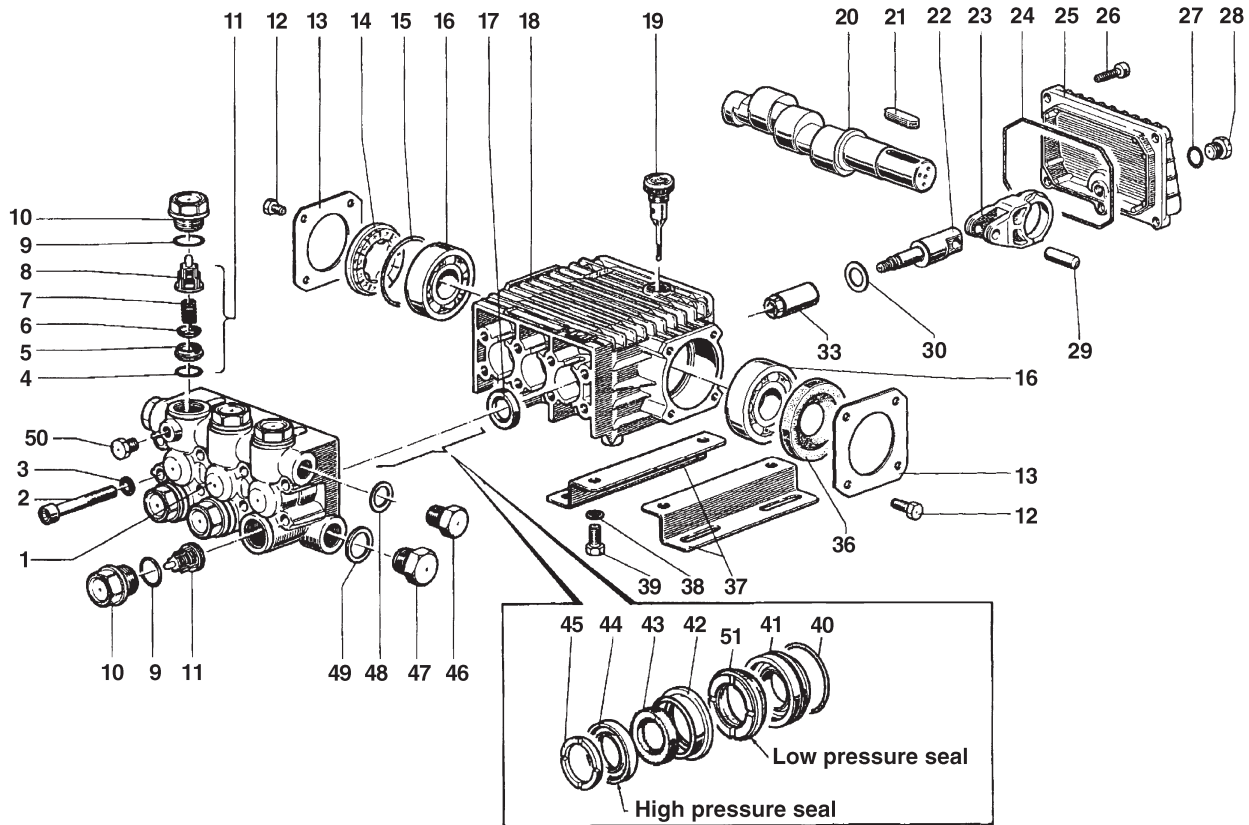
SPECIFICATIONS

Pump Model	EZ4040S34	EZ4035S34	EZ4030S34
Maximum Volume	4.0 GPM	3.5 GPM	3.0 GPM
Maximum Discharge Pressure	4000 PSI		
Maximum Pump Speed	3400 RPM		
Maximum Inlet Pressure	125 PSI		
Maximum Inlet Vacuum	Flooded		
Bore	.512 in. / 13 mm		
Stroke (in./mm)	.512 / 13	.433 / 11	.374 / 9.5
Crankcase Oil Capacity	14.0 oz.		
Maximum Fluid Temperature	165°F		
Inlet Port Thread	1/2-14 BSPP-F		
Discharge Port Thread	3/8-19 BSPP-F		
Shaft Diameter	.945 in. / 24 mm		
Weight	18 lbs.		
Dimensions	8.6 x 8.7 x 5.5 in.		

DIMENSIONAL DRAWING



EZ Series 44 S – Solid Shaft **GENERAL PUMP** A member of the Interpump Group



PARTS LIST

Item	Part No.	Description	Kit No.	Qty.	Item	Part No.	Description	Kit No.	Qty.	Item	Part No.	Description	Kit No.	Qty.
1.	44120641	Manifold		1	17.	90161400	Oil Seal	23	3	36.	90164100	Oil Seal		1
2.	99317500	Screw		8	18.	44010022	Crankcase		1	37.	50200074	Rail		2
3.	96701400	Washer		8	19.	98210300	Oil Dip Stick		1	38.	96701600	Washer		4
4.	90384100	O-Ring	123	6	20.	44020635	Crankshaft (EZ4040S34)		1	39.	99303700	Nut		4
5.	36200366	Valve Seat	123	6		44020335	Crankshaft (EZ4035S34)			40.	90361200	O-Ring	152, 156	3
6.	36200176	Valve	123	6		44020035	Crankshaft (EZ4030S34)			41.	44080370	Packing Retainer	152, 156	3
7.	94737600	Spring	123	6	21.	91489200	Key		1	42.	44216270	Intermediate Ring	154, 156	3
8.	36202551	Valve Cage	123	6	22.	44050166	Piston Guide		3	43.	90507600	Packing	153, 156	3
9.	90384700	O-Ring	124	6	23.	44030022	Connecting Rod		3	44.	90260200	Packing	153, 156	3
10.	98222600	Cap Screw	124	6	24.	90392000	O-Ring		1	45.	44100251	Head Ring	155, 156	3
11.	36711501	Valve Assembly	123	6	25.	44160022	Rear Cover		1	46.	98210000	Cap Screw		1
12.	99180700	Screw		8	26.	99183700	Screw		5	47.	98217600	Cap Screw		1
13.	50150074	Bearing Cover		2	27.	90358500	O-Ring		1	48.	96738000	Washer		1
14.	44211801	Spacer		1	28.	98204100	Cap Screw		1	49.	96751400	Washer		1
15.	90409700	O-Ring		1	29.	97734000	Pin		3	50.	98196600	Cap Screw		1
16.	91832800	Ball Bearing		2	30.	96696700	Washer		3	51.	90260300	Seal, Low Pressure	153, 156	3
					33.	44040266	Plunger, 13 mm		3					

REPAIR KITS

KIT NO.	23	123	124	152	153	154	156
ITEM NO's INCLUDED IN KIT	17	4, 5, 6, 7, 8, (11)	9, 10	40, 41	43, 44, 51	42	40, 41, 42, 43, 44, 45, 51
NUMBER OF ASSEMBLIES IN KIT	3	6	6	3	3	3	1
NUMBER OF CYLINDERS KIT WILL SERVICE	3	3	3	3	3	3	1

TORQUE SPECS*

Position	Ft.-lbs.	N-M
2	14.7	20
10	73.7	100
12	7.3	10
26	7.3	10
28	14.7	20
33	6.6	9
46	29.4	40
47	29.4	40
50	9.6	13

*Decrease torque by 20% if threads are lubricated.