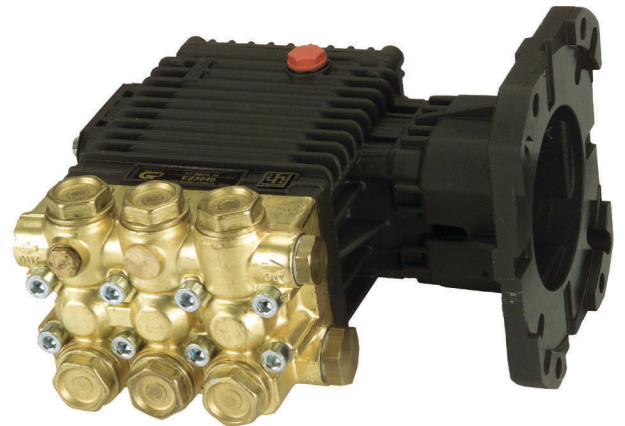


FEATURES

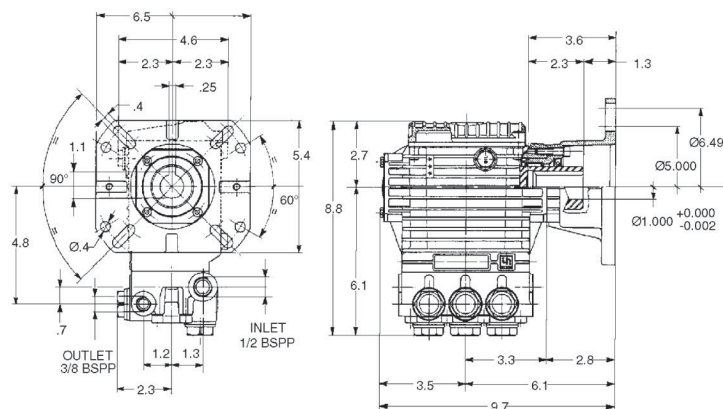
- Innovative one-piece plunger design
- 5% reduction in crankcase load compared to standard 3,000 psi – 15 mm pumps
- Superior plunger performance against thermal shock and cavitation due to new, unique bonding process
- Standard SAE J609 gasoline mounting flange for up to 16 hp engines
- Forged brass manifold with a 3:1 hydrostatic rating
- Die-cast, anodized aluminum, oil-bath crankcase
- Premium roller bearing
- Unitized stainless steel inlet and discharge valves
- Available in “L” left-handed versions

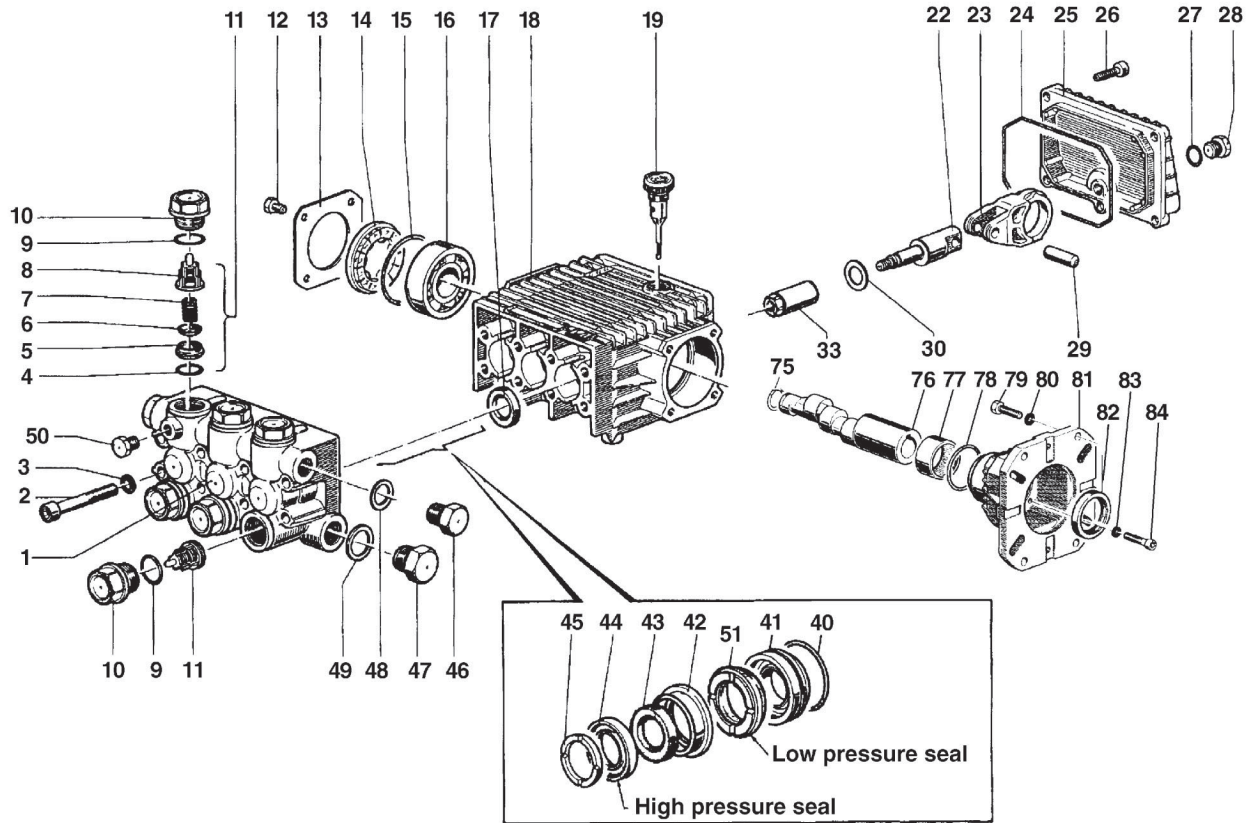


SPECIFICATIONS

Pump Model	EZ4035G34	EZ4030G34
Maximum Volume	3.5 GPM	3.0 GPM
Maximum Discharge Pressure	4000 PSI	
Maximum Pump Speed	3400 RPM	
Maximum Inlet Pressure	125 PSI	
Maximum Inlet Vacuum	Flooded	
Bore	.512 in. / 13 mm	
Stroke (in./mm)	.433 / 11	.374 / 9.5
Crankcase Oil Capacity	14.0 oz.	
Maximum Fluid Temperature	165°F	
Inlet Port Thread	1/2-14 BSPP-F	
Discharge Port Thread	3/8-19 BSPP-F	
Hollow Shaft I.D .	1.0 in. / 25.4 mm	
Weight	20 lbs.	
Dimensions	8.8 x 9.7 x 6.5 in.	

DIMENSIONAL DRAWING





PARTS LIST

Item	Part No.	Description	Kit No.	Qty.	Item	Part No.	Description	Kit No.	Qty.	Item	Part No.	Description	Kit No.	Qty.
1.	44120641	Manifold		1	22.	44050166	Piston Guide		3	49.	96751400	Washer		1
2.	99317500	Screw		8	23.	44030022	Connecting Rod		3	50.	98196600	Cap Screw		1
3.	96701400	Washer		8	24.	90392000	O-Ring		1	51.	90260300	Seal, Low Pressure	153,156	3
4.	90384100	O-Ring	123	6	25.	44160022	Rear Cover		1	75.	90063500	Retaining Ring		1
5.	36200366	Valve Seat	123	6	26.	99183700	Screw		5	76.	44022165	Crankshaft		1
6.	36200176	Valve	123	6	27.	90358500	O-Ring		1		44021265	Crankshaft (EZ4035G34)		1
7.	94737600	Spring	123	6	28.	98204100	Cap Screw		1		44020965	Crankshaft (EZ4030G34)		1
8.	36202551	Valve Cage	123	6	29.	97734000	Pin		3	77.	91856800	Roller Bearing		1
9.	90384700	O-Ring	124	6	30.	96696700	Washer		3	78.	90409700	O-Ring		1
10.	98222600	Cap Screw	124	6	33.	44040266	Plunger, 13 mm		3	79.	99275500	Screw, 5/16x1		4
11.	36711501	Valve Assembly	123	6	40.	90361200	O-Ring	152, 156	3		99334500	Screw, 3/8x1		4
12.	99180700	Screw		4	41.	44080370	Packing Retainer	152, 156	3	80.	96702000	Washer, Ø8 mm		4
13.	50150074	Bearing Cover		1	42.	44216270	Intermediate Ring	154, 156	3		96710400	Washer, Ø10 mm		4
14.	44211801	Spacer		1	43.	90507600	Packing	153, 156	3	81.	10051822	Gas Flange		1
15.	90409700	O-Ring		1	44.	90260200	Packing	153, 156	3	82.	90169000	Oil Seal		1
16.	91832800	Ball Bearing		1	45.	44100251	Head Ring	155, 156	3	83.	96693800	Washer		4
17.	90161400	Oil Seal	23	3	46.	98210000	Cap Screw		1	84.	99191200	Screw		4
18.	44010022	Crankcase		1	47.	98217600	Cap Screw		1					
19.	98210300	Oil Dip Stick		1	48.	96738000	Washer		1					

REPAIR KITS

KIT NO.	23	123	124	152	153	154	156
ITEM NO'S INCLUDED IN KIT	17	4, 5, 6, 7, 8, (11)	9, 10	40, 41	43, 44, 51	42	40, 41, 42, 43, 44, 45, 51
NUMBER OF ASSEMBLIES IN KIT	3	6	6	3	3	3	1
NUMBER OF CYLINDERS KIT WILL SERVICE	3	3	3	3	3	3	1

TORQUE SPECS*

Position	Ft.-lbs.	N-M
2	14.7	20
10	73.7	100
12	7.3	10
26	7.3	10
28	14.7	20
33	6.6	9
46	29.4	40
47	29.4	40
50	9.6	13
79	14.7	20
84	7.3	10

*Decrease torque by 20% if threads are lubricated.