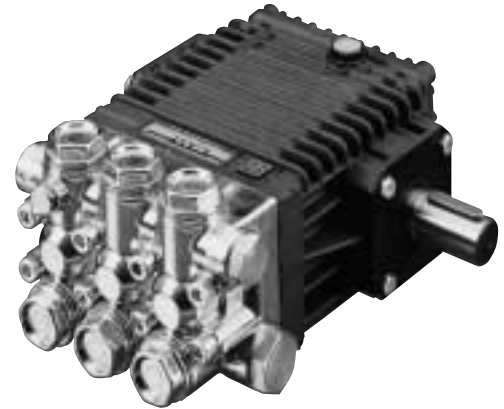


# EZ Series 44 S

## 2500 / 3000 PSI, Triplex Plunger Pump

### FEATURES

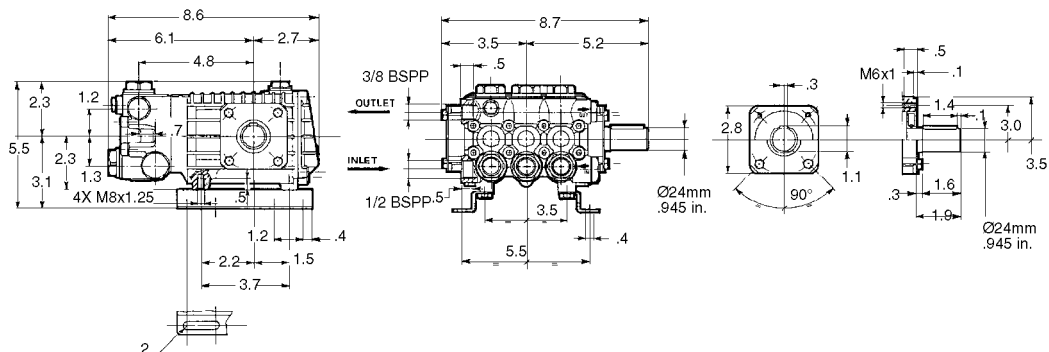
- Solid ceramic plunger design
- Flex coupling and bell housing available for direct drive
- Forged brass manifold with an exclusive lifetime warranty and 4:1 hydrostatic rating
- Die-cast, anodized aluminum, oil-bath crankcase
- Premium roller bearing
- Unitized stainless steel inlet and discharge valves
- Available in “L” left-handed versions



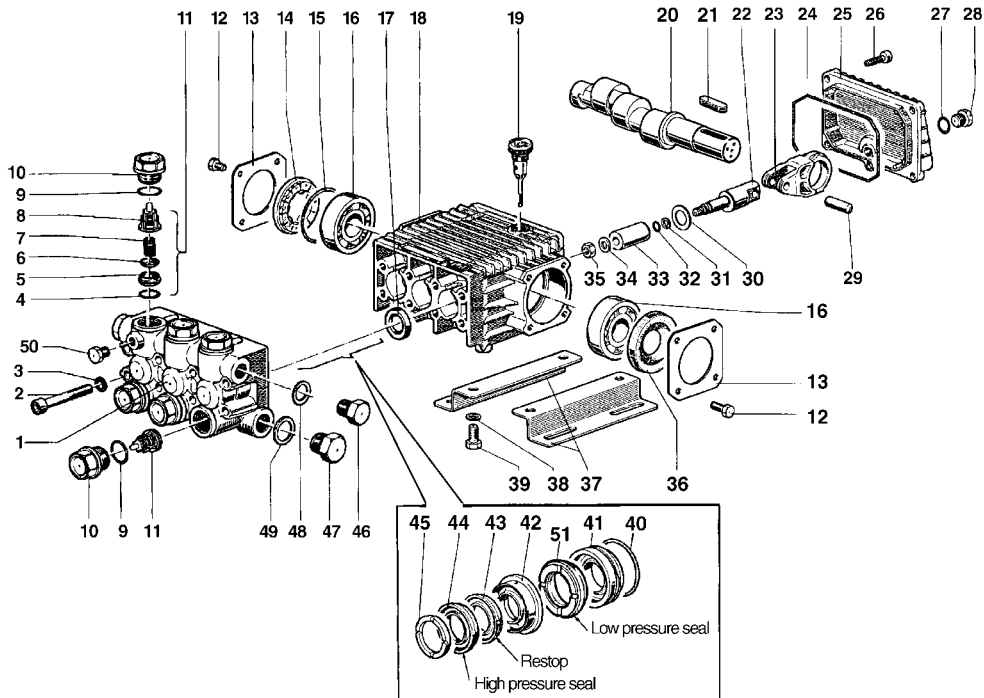
### SPECIFICATIONS

| Pump Model                 | EZ2536S                  | EZ2542S   | EZ2545S          | EZ2555S   | EZ3040S                  | EZ3042S        |
|----------------------------|--------------------------|-----------|------------------|-----------|--------------------------|----------------|
| Maximum Volume             | 3.6 GPM                  | 4.2 GPM   | 4.6 GPM          | 5.5 GPM   | 4.0 GPM                  | 4.2 GPM        |
| Maximum Discharge Pressure | 2500 PSI                 |           |                  |           | 3000 PSI                 |                |
| Maximum Pump Speed         | 1750 RPM                 |           | 3400 RPM         |           |                          | 1750 RPM       |
| Maximum Inlet Pressure     | 125 PSI                  |           |                  |           |                          |                |
| Maximum Inlet Vacuum       | 3 ft. water (2.6 in. Hg) |           |                  |           | 9 ft. water (7.9 in. Hg) |                |
| Bore                       | .708 in. / 18 mm         |           | .591 in. / 15 mm |           |                          | .708 in./18 mm |
| Stroke (in./mm)            | .433 / 11                | .512 / 13 | .433 / 11        | .512 / 13 | .374 / 9.5               | .512 / 13      |
| Crankcase Oil Capacity     | 14.0 oz.                 |           |                  |           |                          |                |
| Maximum Fluid Temperature  | 165°F                    |           |                  |           |                          |                |
| Inlet Port Thread          | 1/2-14 BSPP-F            |           |                  |           |                          |                |
| Discharge Port Thread      | 3/8-19 BSPP-F            |           |                  |           |                          |                |
| Shaft Diameter.            | .945 in. / 24 mm         |           |                  |           |                          |                |
| Weight                     | 18 lbs.                  |           |                  |           |                          |                |
| Dimensions                 | 8.6 x 8.7 x 5.5 in.      |           |                  |           |                          |                |

### DIMENSIONAL DRAWING



# EZ Series 44 S – 2500/3000 PSI **GENERAL PUMP** A member of the Interpump Group



## PARTS LIST

| Item | Part No. | Description                                   | Kit No. | Qty. | Item | Part No. | Description   | Kit No.  | Qty. | Item | Part No. | Description  | Kit No.  | Qty. |
|------|----------|---|---------|------|------|----------|---|----------|------|------|----------|--|----------|------|
| 1.   | 44120441 | Manifold<br>(18mm: EZ2536S, EZ2542S, EZ3042S) |         | 1    | 21.  | 90489200 | Key   |          | 1    | 42.  | 44216170 | Intermediate Ring<br>(18mm: EZ2536S, EZ2542S, EZ3042S) | 128, 131 | 3    |
|      | 44120041 | Manifold<br>(15mm: EZ2545S, EZ2555S, EZ3040S) |         | 1    | 22.  | 44050066 | Plunger Guide   |          | 3    |      | 52216670 | Intermediate Ring<br>(15mm: EZ2545S, EZ2555S, EZ3040S) | 89, 130  | 3    |
| 2.   | 99317500 | Screw   | 123     | 8    | 23.  | 44030022 | Connecting Rod  |          | 3    | 43.  | 90268300 | Packing<br>(18mm: EZ2536S, EZ2542S, EZ3042S)           | 127, 131 | 3    |
| 3.   | 96701400 | Washer  |         | 8    | 24.  | 90392000 | O-Ring  |          | 1    |      | 90262200 | Packing<br>(15mm: EZ2545S, EZ2555S, EZ3040S)           | 88, 130  | 3    |
| 4.   | 90384100 | O-Ring  | 123     | 6    | 25.  | 44160022 | Rear Cover  |          | 1    | 44.  | 90268200 | Packing<br>(18mm: EZ2536S, EZ2542S, EZ3042S)           | 127, 131 | 3    |
| 5.   | 36200366 | Valve Seat                                    | 123     | 6    | 26.  | 99183700 | Screw   |          | 5    |      | 90262000 | Packing<br>(15mm: EZ2545S, EZ2555S, EZ3040S)           | 88, 130  | 3    |
| 6.   | 36200176 | Valve   | 123     | 6    | 27.  | 90358500 | O-Ring  |          | 1    | 45.  | 44100151 | Head Ring<br>(18mm: EZ2536S, EZ2542S, EZ3042S)         | 129, 131 | 3    |
| 7.   | 94737600 | Spring  | 123     | 6    | 28.  | 98204100 | Cap Screw   |          | 1    |      | 51100051 | Head Ring<br>(15mm: EZ2545S, EZ2555S, EZ3040S)         | 90, 130  | 3    |
| 8.   | 36202551 | Valve Cage                                    | 123     | 6    | 29.  | 97734000 | Pin   |          | 3    | 46.  | 98210000 | Cap Screw  |          | 1    |
| 9.   | 90384700 | O-Ring  | 124     | 6    | 30.  | 96735000 | Washer  |          | 3    | 47.  | 98217600 | Cap Screw  |          | 1    |
| 10.  | 98222600 | Cap Screw                                     | 124     | 6    | 31.  | 90502200 | Anti-Extrusion Ring                                   |          | 3    | 48.  | 96738000 | Washer   |          | 1    |
| 11.  | 36711501 | Valve Assembly                                | 123     | 6    | 32.  | 90357200 | O-Ring  |          | 3    | 49.  | 96751400 | Washer   |          | 1    |
| 12.  | 99180700 | Screw   |         | 4    | 33.  | 44040109 | Plunger, 18mm<br>(EZ2536S, EZ2542S, EZ3042S)          |          | 3    | 50.  | 98196600 | Cap Screw  |          | 1    |
| 13.  | 50150074 | Bearing Cover                                 |         | 1    |      | 52040009 | Plunger, 15mm<br>(EZ2545S, EZ2555S, EZ3040S)          |          | 3    | 51.  | 90268400 | Seal, Low Press.<br>(18mm: EZ2536E, EZ2542E)           | 127, 131 | 3    |
| 14.  | 44211801 | Spacer  |         | 1    | 34.  | 96700800 | Washer  |          | 3    |      | 90261700 | Seal, Low Press.<br>(15mm: EZ2545E, EZ2555E)           | 88, 130  | 3    |
| 15.  | 90409700 | O-Ring  |         | 1    | 35.  | 92221600 | Nut   |          | 3    |      |          |  |          |      |
| 16.  | 91832800 | Ball Bearing                                  |         | 1    | 36.  | 90164100 | Oil Seal  |          | 1    |      |          |  |          |      |
|      | 91304200 | Ball Bearing (EZ3040S, EZ3042S)               |         | 1    | 40.  | 90361200 | O-Ring<br>(18mm: EZ2536S, EZ2542S, EZ3042S)           | 126, 131 | 3    |      |          |  |          |      |
| 17.  | 90161400 | Oil Seal                                      | 23      | 3    |      | 90361200 | O-Ring<br>(15mm: EZ2545S, EZ2555S, EZ3040S)           | 125, 130 | 3    |      |          |  |          |      |
| 18.  | 44010022 | Crankcase                                     |         | 1    | 41.  | 44080170 | Packing Retainer<br>(18mm: EZ2536S, EZ2542S, EZ3042S) | 126, 131 | 3    |      |          |  |          |      |
| 19.  | 98210300 | Oil Dip Stick                                 |         | 1    |      | 44080070 | Packing Retainer<br>(15mm: EZ2545S, EZ2555S, EZ3040S) | 125, 130 | 3    |      |          |  |          |      |
| 20.  | 44020035 | Crankshaft (EZ3040S)                          |         | 1    |      |          |   |          |      |      |          |  |          |      |
|      | 44020335 | Crankshaft (EZ2535S, EZ2545S)                 |         | 1    |      |          |   |          |      |      |          |  |          |      |
|      | 44020635 | Crankshaft<br>(EZ2542S, EZ2555S, EZ3042S)     |         | 1    |      |          |   |          |      |      |          |  |          |      |

## REPAIR KITS

| KIT NO.                              | All | (15mm) (18mm) | (15mm) (18mm) | (15mm) (18mm) | All                 | All   | (15mm) (18mm) | (15mm) (18mm)              |
|--------------------------------------|-----|---------------|---------------|---------------|---------------------|-------|---------------|----------------------------|
|                                      | 23  | 88 or 127     | 89 or 128     | 90 or 129     | 123                 | 124   | 125 or 126    | 130 or 131                 |
| ITEM NO.s INCLUDED IN KIT            | 17  | 43, 44, 51    | 42            | 45            | 4, 5, 6, 7, 8, (11) | 9, 10 | 40, 41        | 40, 41, 42, 43, 44, 45, 51 |
| NUMBER OF ASSEMBLIES IN KIT          | 3   | 3/6           | 3             | 6             | 6                   | 6     | 3             | 1                          |
| NUMBER OF CYLINDERS KIT WILL SERVICE | 3   | 3             | 3             | 3             | 3                   | 3     | 3             | 1                          |

## TORQUE SPECS\*

| Position | Ft.-lbs. | N-M |
|----------|----------|-----|
| 2        | 14.7     | 20  |
| 10       | 73.7     | 100 |
| 12       | 7.3      | 10  |
| 26       | 7.3      | 10  |
| 28       | 14.7     | 20  |
| 35       | 11.0     | 15  |
| 39       | 14.7     | 20  |
| 46       | 29.4     | 40  |
| 47       | 29.4     | 40  |
| 50       | 9.6      | 13  |

\*Decrease torque by 20% if threads are lubricated.

