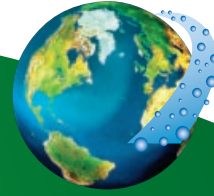




MOSMATIC

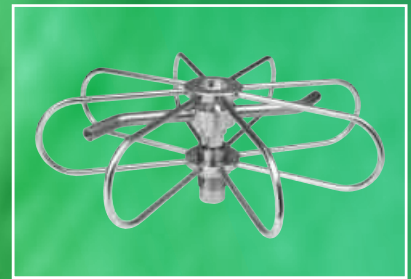
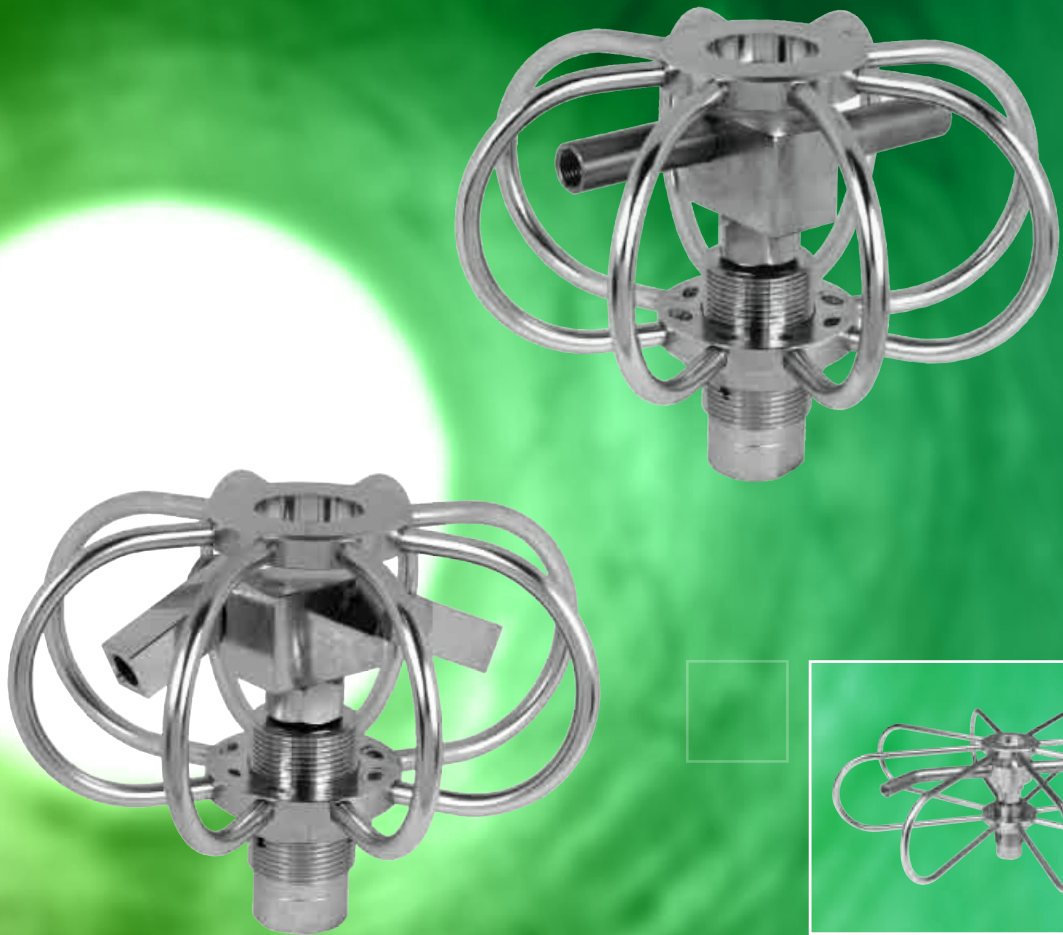
High Pressure Cleaning Technology



TYR

Duct Cleaner

For more information contact your Distributor or visit us on the web at www.mosmatic.com

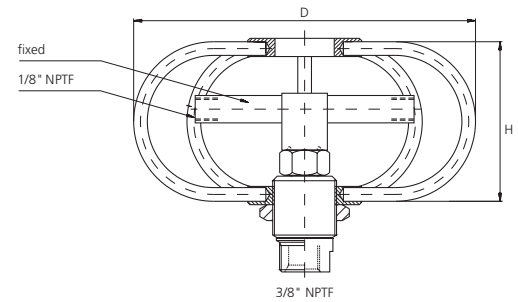


MOSMATIC Duct Cleaners are specially designed to clean Ducts, Trash-Chutes, Vents, Restaurant Hoods, Tanks and more. This is the perfect accessory for any hot or cold pressure washer. Made of corrosion-resistant materials and stainless steel self-lubricated bearings. The new and improved carbide swivel offers the highest quality Swiss made craftsmanship.

Duct Cleaner *fixed* TYR-f

Non adjustable arms.
Perfect for vertical chutes.

Part No.	D	H	Weight
81.406	3"	2.4"	16 oz.
81.426	6"	2.8"	28 oz.
81.456	12"	2.8"	39 oz.
81.466	16"	2.8"	48 oz.
81.476	20"	2.8"	55 oz.
81.486	24"	2.8"	63 oz.

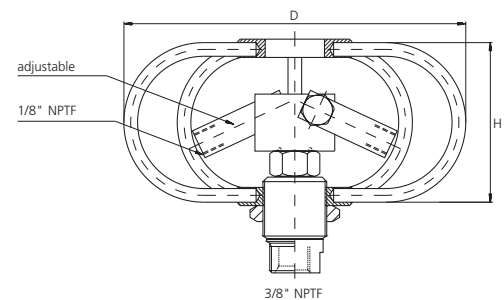


• **do not use unprotected**

Duct Cleaner *adjustable* TYR-s

Adjustable arms allow different spray angles. Perfect for 360° cleaning.

Part No.	D	H	Weight
81.506	3"	2.4"	16 oz.
81.526	6"	2.8"	28 oz.
81.556	12"	2.8"	39 oz.
81.566	16"	2.8"	48 oz.
81.576	20"	2.8"	55 oz.
81.586	24"	2.8"	63 oz.



Technical Data:

Throughput Medium ph 3-12
Temperature 250° F
Pressure 4000 psi

- All Duct Cleaners come with 3/8" NPTF water inlet.
- Requires two 1/8" Nozzles which are sold separately.
- Other versions and sizes available.

- height and width adjustable
- can be used with "all" duct cleaners



TYR Mobile

Completely stainless steel.
Side to side and height adjustable.
For horizontal duct cleaning.

Part No.	Duct-Size	Weight
81.911	6"-12"	9 lbs
81.902	12"-20"	9.5 lbs
81.903	20"-36"	15.6 lbs

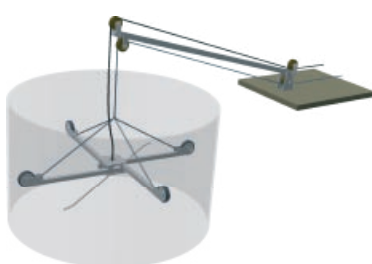


TYR Hook

For pulling your Duct Cleaner through long stretches of duct work. Quickly attaches to existing cage.

Part No.
81.905

The **Vertical Silo Cleaner** is a **self guiding** cleaning device for any type of surface. Slowly lower and raise the cleaner inside the silo and the **self rotating** arm will evenly clean the surface. Adjustable guides and interchangeable spray arms, make this the perfect tool for cleaning silos ranging from **7'-12' in Diameter**.



Kit:

Part No. 81.910

1x Adjustable Guide Rack
1x High RPM Swivel

3 sets of adjustable Arms included:
1x 6'7" Spray Arm
1x 8'2" Spray Arm
1x 9'10" Spray Arm

- 1/8" Spray Nozzles are sold separately
- Winch not included

Distributed by: