



MOSMATIC

High Pressure Cleaning Technology



FL-Z

Swivel - Conversion Kit

For most Cleaners

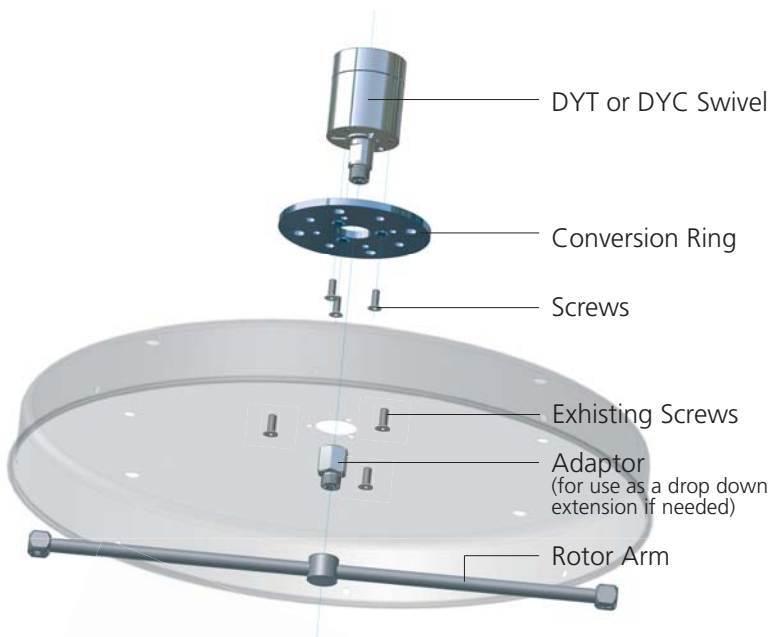
- easy to upgrade
- high quality components
- durable



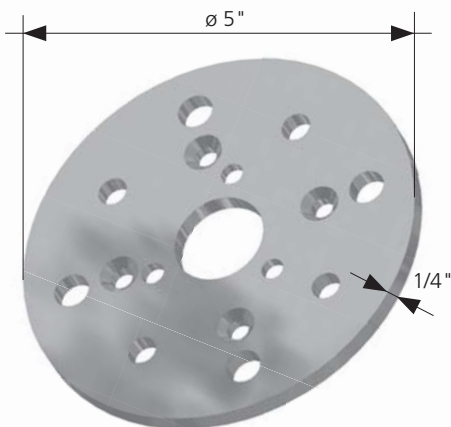
For more information contact your Distributor or visit us on the web at www.mosmatic.com

Just put a MOSMATIC swivel on it

The NEW MOSMATIC Conversion KIT is the solution for your annoying Swivel problems.
 Easily mount the Conversion ring together with the adaptor on your existing
 surface cleaner. Choose the corresponding MOSMATIC
 Swivel and Spinner to upgrade your cleaner.



MOSMATIC Conversion KIT



Conversion Ring, aluminum

Kit

Part No.
55.903



Three Screws included



1" Adaptor
stainless steel

Use the conversion ring together with the
 adaptor to convert your surface cleaner
 to a new surface cleaner with a
 MOSMATIC Swivel on it !

In Combination With :



Swivel DYT

Part No.
59.063 1/4" NPTF
59.163 3/8" NPTF



Swivel DYC

Part No.
55.063 1/4" NPTF
55.163 3/8" NPTF



Rotor Arm TKA

Part No.
82.812 18"
82.813 20"
82.814 22"
82.815 24"

Distributed by: