

VRX Series Consumer Pumps



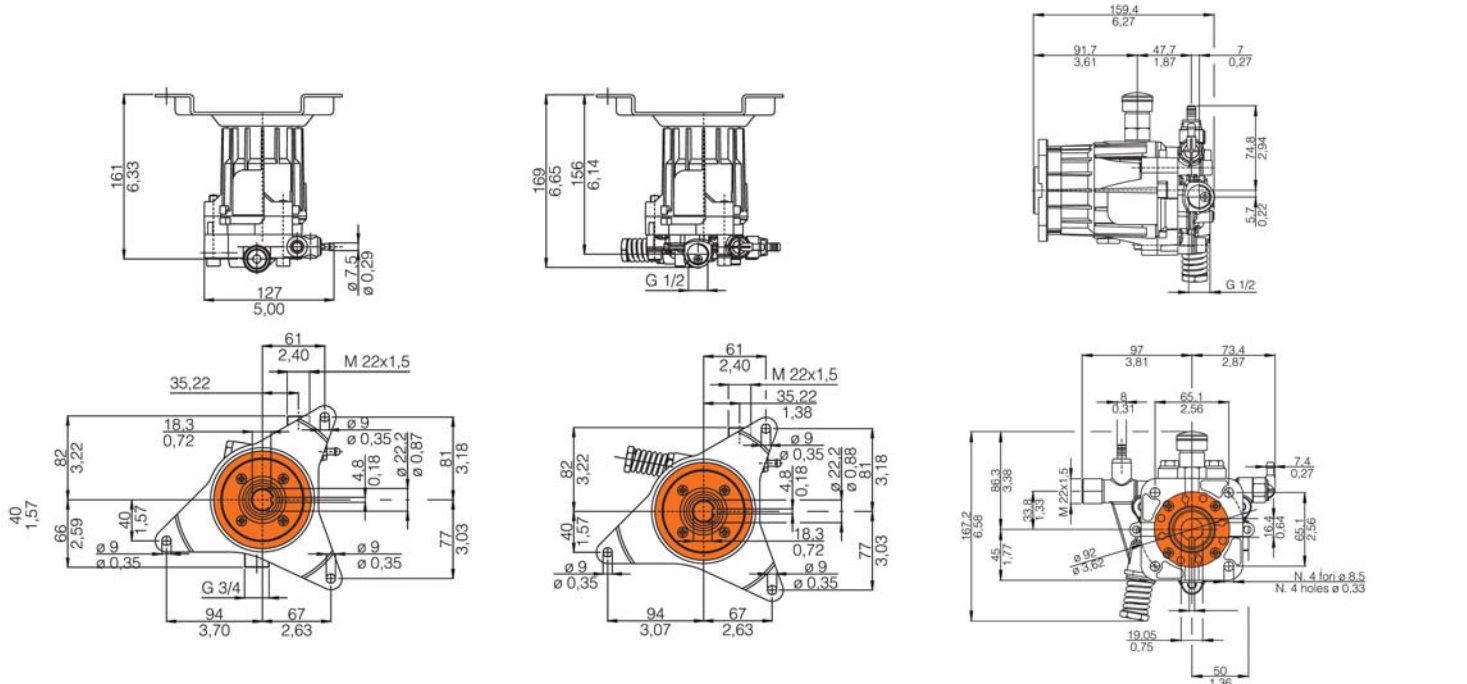
•Vertical



•Horizontal

- Brass Head
- Special Aluminum Alloy Head with High Resistance to Corrosion (VRX 2017 V only)
- Built in Unloader with Chemical Injector
- Built in Easy Start
- High Efficiency Suction-Delivery Valves
- Stainless Steel Plungers
- Aluminum Crankcase without Need of Oil Replacement
- Thermal Relief Valve (Optional)
- Garden Hose Tail (Optional Brass or Plastic)

Takes 4.5 Ounces Pump Oil



Vertical
VRX-V 2017

Vertical
VRX-V 2022, 2422

Horizontal
VRX-G

VRX SERIES > Pumps-Vertical

PART #	MODEL #	GPM	PSI	RPM	SHAFT	PISTON	WT
6511.0012.00	VRX 2017 V L46 AL ES 2.0	2.0	1700	3200	7/8"	14mm	5.3
6511.0023.00	VRX 2017 V L80 AL	2.0	1700	3200	7/8"	14mm	5.3
6511.0004.00	VRX 2022 V L46	2.0	2200	3200	7/8"	14mm	7.7
6511.0017.00	VRX 2022 V L80	2.0	2200	3200	7/8"	14mm	7.7
6511.0008.00	VRX 2422 V L80	2.3	2200	3200	7/8"	14mm	7.7

VRX SERIES > Pumps-Horizontal

PART #	MODEL #	GPM	PSI	RPM	SHAFT	PISTON	WT
6511.0005.00	VRX 2522 G	2.4	2200	3400	3/4"	14mm	7.7
6511.0015.00	VRX 2524 G	2.4	2400	3400	3/4"	14mm	7.7
6511.0020.00*	VRX 2225 G TR	2.2	2500	3400	3/4"	14mm	7.7
6511.0025.00	VRX 2527 G	2.5	2700	3400	3/4"	14mm	7.7
6511.0033.00	VRX 2527 G7	2.5	2700	3400	7/8"	14mm	7.7

*TR-Thermal Relief

VRX Repair Kits (Kits also on Pages 29 & 30)

5026.0260.00	Piston Kit, All VRX Pumps	5026.0257.00	Valve Kit, 2200 PSI
5026.0256.00	Water Seal Kit, 2200+ PSI	5026.0263.00	Valve Kit, 1700 PSI
5026.0265.00	Water Seal Kit, 1700 PSI	5026.0270.00	Valve Kit, 2400+ PSI

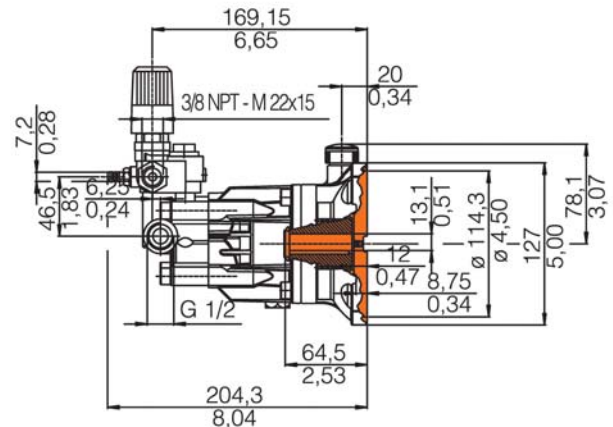
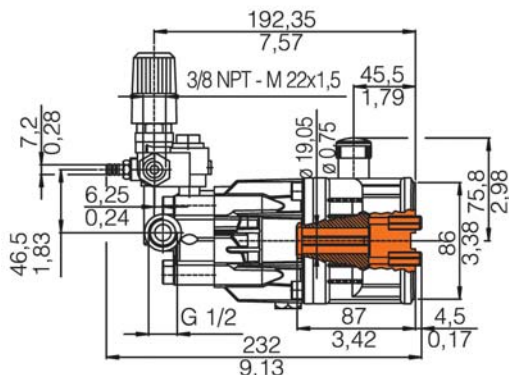
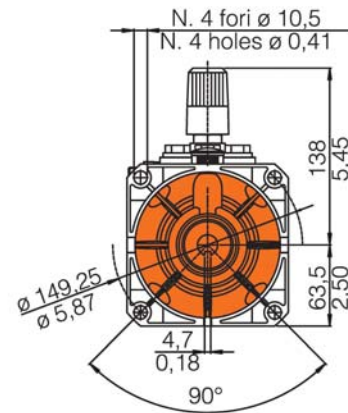
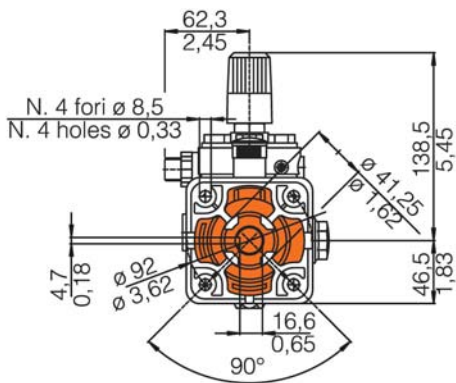
BXD Series Commercial Pumps



- 1/2" Inlet – 3/8" MPT Outlet
- Built-in Uniflow Unloader and Chemical Injector
- Built-in Easy Start
- Stainless Steel Plungers (Ceramic Optional)
- Steel Shaft with Built-in Key
- One Oil Cap for Travel and Operation
- Stainless Steel Check Valves
- Forged Brass Manifold
- Patent Registered Ball Bearing Design
- Optional Built-in Thermal Protector & Safety Relief
- Optional Built-in GH Inlet

- Additional Flows & Pressures are Available Upon Request

Takes 4.5 Ounces Pump Oil



Gas Flange
BXD-G

Electric Flange
BXD-E

BXD SERIES > Pumps-Gas Flange

3400 RPM – 3/4" Hollow Shaft

PART #	MODEL #	GPM	PSI	RPM	SHAFT	WT
6525.1003.00	BXD 2220 G	2.2	2000	3400	3/4" Hollow	11.0
6525.1004.00	BXD 3020 G	2.8	2000	3400	3/4" Hollow	11.0
6525.1001.00	BXD 2525 G	2.2	2500	3400	3/4" Hollow	11.0
6525.1005.00	BXD 3025 G	2.8	2500	3400	3/4" Hollow	11.0
6525.1002.00	BXD 2527 G	2.4	2700	3400	3/4" Hollow	11.0
6525.0023.00*	BXD 2830 G	2.5	2800	3400	3/4" Hollow	11.0

*Includes Ceramic Pistons and Premium Bearings

BXD SERIES > Pumps-Electric Flange

3400 RPM-NEMA 56C-5/8" Hollow Shaft

PART #	MODEL #	GPM	PSI	RPM	SHAFT	WT
6525.1010.00	BXD 2020 E	1.9	2000	3400	5/8" Hollow	11.0
6525.0011.00	BXD 2520 E	2.5	2000	3400	5/8" Hollow	11.0
6525.1012.00	BXD 3020 E	2.8	2000	3400	5/8" Hollow	11.0

BXD Repair Kits (Kits also on Pages 29 & 30)

5019.0667.00	Seal Kit, Water, Gas
5019.0671.00	Seal Kit, Water, Electric
5025.0027.00	Check Valve Kit
1215.0401.00	Unloader Valve Kit, 2600 PSI
1215.0403.00	Unloader Valve Kit, 3200 PSI

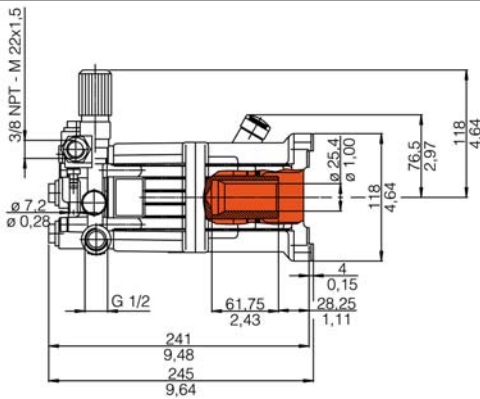
AX Series Commercial Pumps



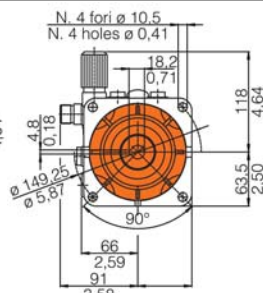
- Built-in Uniflow Unloader and Chemical Injector with Inner Stainless Steel Parts
- Abrasion Proof, Heat Resistant, Industrial Ceramic Plungers
- Stainless Steel Unitized Check Valves
- Forged Brass Manifold
- Industrial Duty Construction for Extended Life
- Patent Registered Ball Bearing Design
- Built-in Garden Hose Adapter
- Double-Sealing Buna-Textile V-Packing
- Optional Built-in Thermal Protector & Pressure Relief Valve

- Additional Flows & Pressures are Available Upon Request

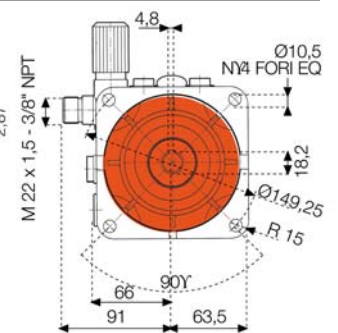
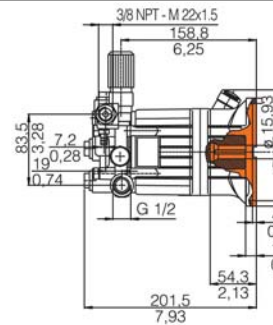
Takes 6 Ounces Pump Oil



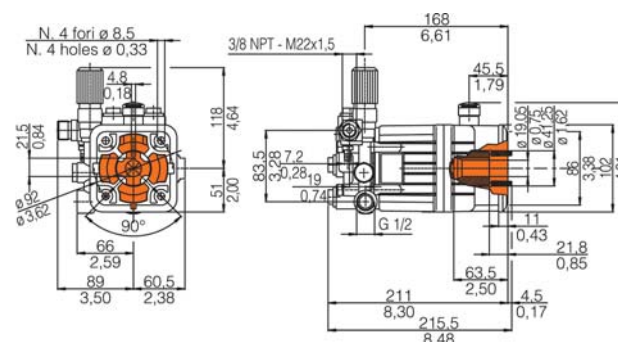
Gas Flange
AX-G 3000 PSI



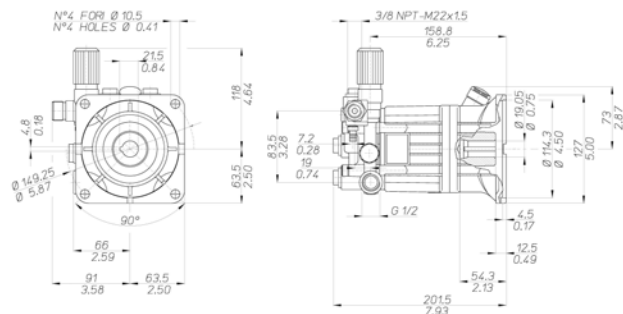
Electric Flange
AX-E



Gas Flange
AXS-E



Gas Flange
AX-G 2700 PSI



Gas Flange
AX-GE

AXD SERIES > Pumps-Gas Flange

3400 RPM – 3/4" Hollow Shaft • Pallet Qty: 100-Boxed; 96-Egg-Crated

PART #	MODEL #	GPM	PSI	RPM	SHAFT	WT
6501.0005.00	AXD 3020 G	2.7	2000	3400	3/4" Hollow	12.0
6501.0008.00	AXD 3522 G	3.3	2200	3400	3/4" Hollow	12.0
6501.0050.00	AXD 2524 G-T	2.4	2400	3400	3/4" Hollow	12.0
6501.0051.00	AXD 2524 G	2.4	2400	3400	3/4" Hollow	12.0
6501.0006.00	AXD 3025 G	2.9	2500	3400	3/4" Hollow	12.0
6501.0017.00	AXD 3525 G	3.3	2500	3400	3/4" Hollow	12.0
6501.0063.00	AXD 2427 G	2.4	2700	3400	3/4" Hollow	12.0
6501.0059.00	AXD 2527 G-T	2.5	2700	3400	3/4" Hollow	12.0
6501.0025.00	AXD 2527 G	2.5	2700	3400	3/4" Hollow	12.0

"T" Denotes Stainless Steel Pistons

AXD SERIES > Pumps-Electric Flange

1750 & 3400 RPM –
5/8" & 3/4" Hollow Shaft

- NEMA 56C Electric Motor Flange
- Pallet Qty: 90-Boxed; 70-Egg-Crated;
- *Exceptions below

PART #	MODEL #	GPM	PSI	RPM	SHAFT	WT
6502.0009.00	AXS 0415 E	0.4	1500	1750	5/8" Hollow	12.0
6502.0010.00	AXS 0615 E	0.6	1500	1750	5/8" Hollow	12.0
6502.0005.00	AXS 1015 E	0.9	1500	1750	5/8" Hollow	12.0
6502.0008.00	AXS 1315 E	1.3	1500	1750	5/8" Hollow	12.0
6502.0006.00	AXS 2015 E	1.7	1500	1750	5/8" Hollow	12.0
6501.0038.00*1	AXD 2020 E	1.7	2000	3400	5/8" Hollow	12.0
6501.0010.00	AXD 2020 E	1.9	2000	3400	5/8" Hollow	12.0
6501.0012.00 2	AXD 2520 E	2.5	2000	3400	5/8" Hollow	12.0
6501.0013.00	AXD 3020 E	2.9	2000	3400	5/8" Hollow	12.0
6501.0087.00	AXD 3020 GE	2.9	2000	3400	3/4" Hollow	12.0
6501.0090.00	AXD 2527 GE	2.5	2700	3400	3/4" Hollow	12.0

*5.5 Degree Cam

1-72 Egg-Crated

2-96 Boxed

AXD SERIES > Pumps-Gas Flange

3400 RPM – 1" Hollow Shafts • Pallet Qty: 70-Boxed; 70-Egg-Crated

PART #	MODEL #	GPM	PSI	RPM	SHAFT	WT
6501.0024.00	AXD 3030 G	2.9	3000	3400	1" Hollow	14.5
6501.0027.00	AXD 3530 G	3.3	3000	3400	1" Hollow	14.5
6501.0023.00	AXD 4030 G	3.7	3000	3400	1" Hollow	14.5

AXD Repair Kits (Kits also on Pages 29 & 30)

AXD up to 2400 PSI Repair Kits

5019.0077.00 Seal Kit up to 2400 psi models
 1215.0402.00 Unloader Repair Kit
 5025.0014.00 Check Valve Kit universal
 2409.0092.00 Piston Kit
 5019.0079.00 Seal Kit, Oil

AXD 2500+ PSI Repair Kits

5019.0078.00 Seal Kit HP 2500+ psi Only
 1215.0403.00 Unloader Repair Kit
 5025.0014.00 Check Valve Kit Universal
 2409.0092.00 Piston Kit
 5019.0079.00 Seal Kit, Oil

AXD 3000 PSI Repair Kits

5019.0086.00 Seal Kit HP 3000 psi only
 1215.0403.00 Unloader Repair Kit
 5025.0014.00 Check Valve Kit universal
 2409.0103.00 Piston Kit 3000 psi only
 5019.0079.00 Seal Kit, Oil

BWD Series

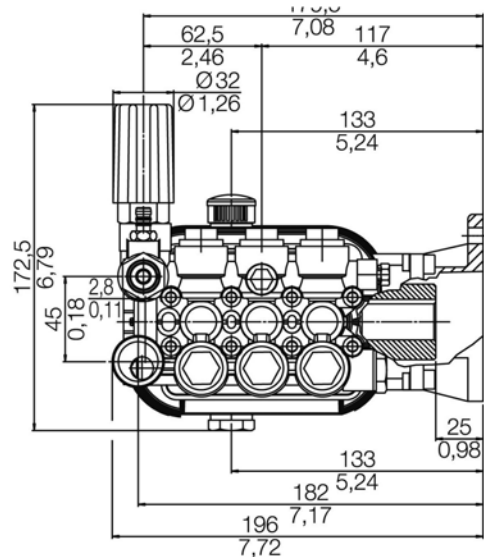
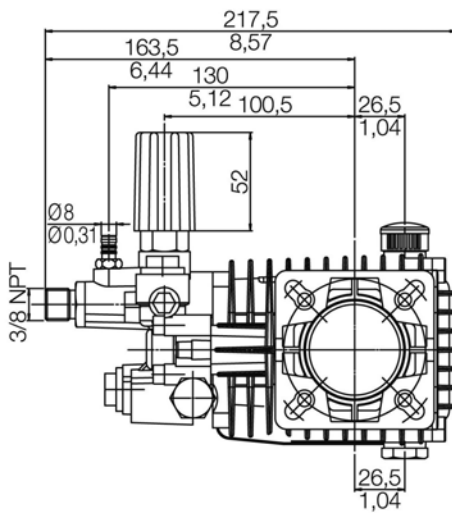
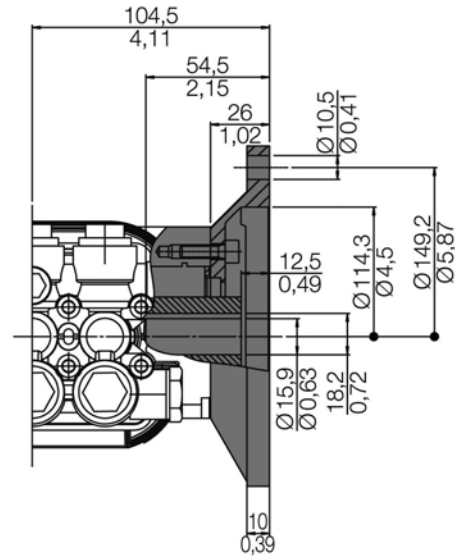
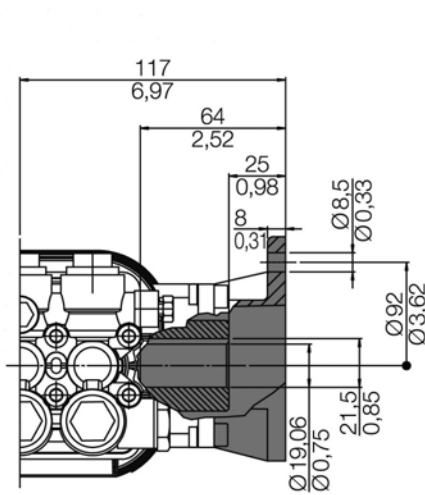
Commercial Pumps



- 1/2" FPT Inlet – 3/8" MPT Outlet
- Built-in Uniflow Unloader and Fixed Chemical Injector
- Double Seal Packings (High & Low)
- Anodized Crankcase
- Ceramic Plungers
- Forged Brass Manifold
- Stainless Steel Check Valves

- Pallet Qty: 72-Boxed; 72-Egg-Crated

Takes 10 Ounces Pump Oil



Gas Flange
BWD-G

Electric Flange
BWD-E

BWD SERIES > Pumps-Gas Flange

3400 RPM – 3/4" Hollow Shafts (SAE J609 A-B) - Gas



Pump without Built-In Unloader

PART #	MODEL #	GPM	PSI	RPM	SHAFT	PISTON	WT
6521.0100.00	BWD 2527 G	2.6	2700	3400	3/4" Hollow	14mm	13.9
6521.0300.00	BWD 3027 G	3.0	2700	3400	3/4" Hollow	14mm	13.9

Pump with Built-In Unloader

PART #	MODEL #	GPM	PSI	RPM	SHAFT	PISTON	WT
6521.0150.00	BWD 2527 G-K	2.6	2700	3400	3/4" Hollow	14mm	13.9
6521.0250.00	BWD 3020 G-K	3.0	2000	3400	3/4" Hollow	14mm	13.9
6521.0350.00	BWD 3027 G-K	3.0	2700	3400	3/4" Hollow	14mm	13.9

BWD SERIES > Pumps-Electric Flange

3400 RPM – 5/8" Hollow Shafts (NEMA 56C) - Electric

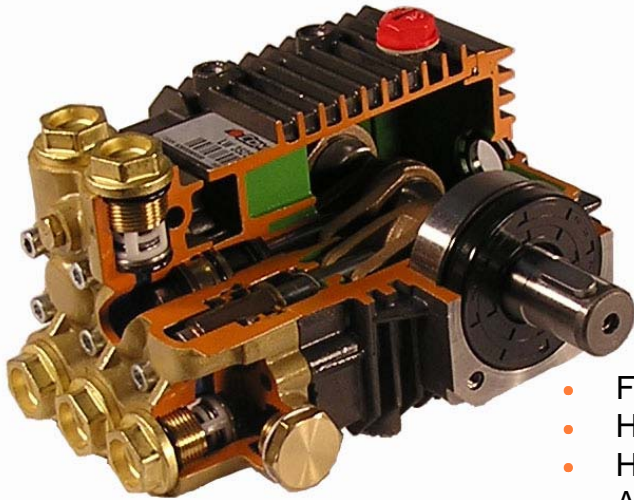
Pump with Built-In Unloader

PART #	MODEL #	GPM	PSI	RPM	SHAFT	PISTON	WT
6521.0251.00	BWD 3020 E-K	2.7	2000	3400	5/8" Hollow	14mm	13.9
6521.0450.00	BWD 2020 E-K	1.9	2000	3400	5/8" Hollow	14mm	13.9

BW Repair Kits (Hot and Standard Kits also on Pages 29 & 30)

5019.0686.00	BW Water Seal Kit, 2700 PSI
5019.0684.00	BW Water Seal Kit, 2000 PSI
5019.0685.00	BW Oil Seal Kit
5025.0030.00	Valve Kit
1215.0403.00	Unloader Repair Kit

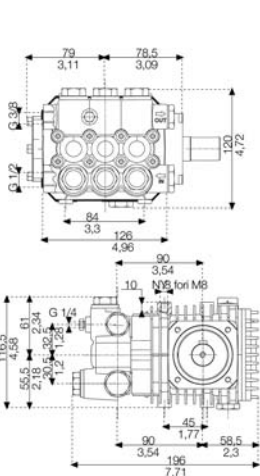
LW Series Industrial Pumps



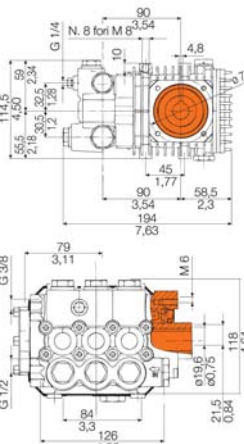
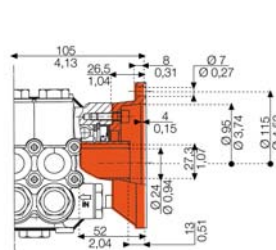
- Forged Bronze Connecting Rods with Lifetime Warranty
- Hardened Stainless Steel Piston Guides
- High Efficiency Stainless Steel Check Valves
- Abrasion Proof, Heat Resistant, Industrial Ceramic Plungers
- High Quality Buna-Textile Double-Sealing V-Packings
- Solid or Hollow Shaft
- Reversible Crankshaft for Easy Right or Left Hand Mounting
- Die-Cast, Anodized Aluminum Crankshaft-Fin Design for Optimal Operating Temperature
- Flange for Direct Mounting to Gas Engines or Electric Motors
- High Quality Oversized Ball Bearings
- Optimal Oil Bath for High Speed Operation

- > 1450 RPM
- > 1750 RPM
- > 3400 RPM

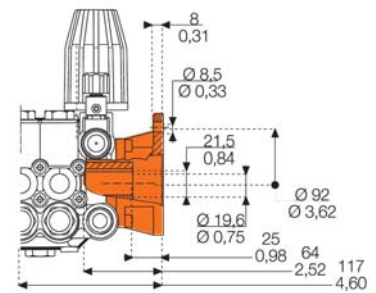
Takes 11 Ounces Pump Oil



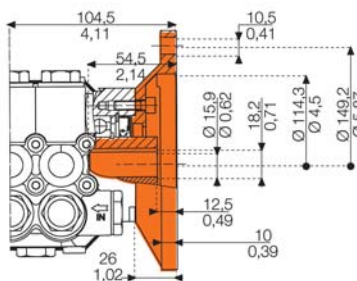
Gas Flange
LW-G



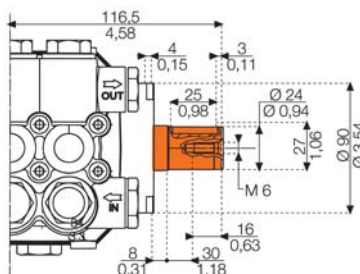
Solid Shaft
LW-GE



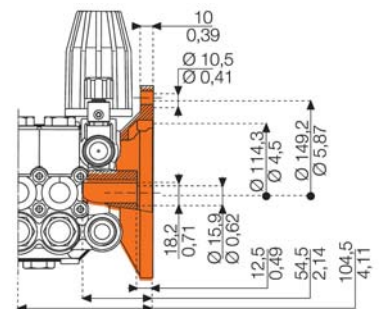
Gas Flange
LW-K G



Electric Flange
LW-E



Solid Shaft
LW-S



Electric Flange
LW-K E

LW SERIES > Pumps-Solid Shaft

- 1450 RPM - 24mm Solid Shaft
- 24mm Solid, Keyed Shaft
 - Pallet Qty 100 (Boxed or Egg-Crated)

PART #	MODEL #	GPM	PSI	RPM	SHAFT	PISTON	WT
6300.1501.00x	LW 0509 S	0.5	1500	1450	24mm Solid	15mm	13.4
6300.1401.00x	LW 1009 S	1.0	1500	1450	24mm Solid	18mm	13.4
6300.1601.00x	LW 1509 S	1.5	1500	1450	24mm Solid	18mm	13.4
6300.0104.00	LW 2015 SA	2.0	1500	1450	24mm Solid	15mm	13.4
6300.0502.00	LW 2020 S	2.1	2000	1450	24mm Solid	15mm	13.4
6300.0303.00	LW 3020 S	3.0	2000	1450	24mm Solid	18mm	13.4
6300.0700.00	LW 3025 S	3.0	2500	1450	24mm Solid	18mm	13.4
6300.0800.00	LW 3525 S	3.5	2500	1450	24mm Solid	18mm	13.4

x-3/8" Inlet

A=Aluminum Manifold

LWS SERIES > Pumps-Solid Shaft

- 1750 RPM - 24mm Solid Shaft
- 24mm Solid, Keyed Shaft
 - Pallet Qty 100 (Boxed or Egg-Crated)

PART #	MODEL #	GPM	PSI	RPM	SHAFT	PISTON	WT
6301.2700.00x	LWS 0609 S	0.6	1500	1750	24mm Solid	15mm	13.4
6301.2500.00x	LWS 1209 S	1.2	1500	1750	24mm Solid	18mm	13.4
6301.2600.00x	LWS 1809 S	1.8	1500	1750	24mm Solid	18mm	13.4
6301.0101.00	LWS 2020 S	2.2	2000	1750	24mm Solid	15mm	13.4
6301.0601.00	LWS 3020 S	3.1	2000	1750	24mm Solid	18mm	13.4
6301.1400.00	LWS 4020 S	4.0	2000	1750	24mm Solid	18mm	13.4
6301.1300.00	LWS 3025 S	3.2	2500	1750	24mm Solid	18mm	13.4
6301.1201.00	LWS 3525 S	3.5	2500	1750	24mm Solid	18mm	13.4

x-3/8" Inlet

Pump with Built-In Unloader

6301.1350.00 LWS 3025 S-K 3.2 2500 1750 24mm Solid 18mm 17.0

***97 Egg-Crated**

LWS SERIES > Pumps-Electric Flange

- 1750 RPM - NEMA 56C - 5/8" or 3/4" Hollow Shaft
- NEMA 56C Electric Motor Flange with 5/8" Hollow Shaft
 - Pallet Qty 100 (Boxed or Egg-Crated)

PART #	MODEL #	GPM	PSI	RPM	SHAFT	PISTON	WT
6301.2701.00x	LWS 0609 E	0.6	1500	1750	5/8" Hollow	15mm	13.4
6301.2501.00x	LWS 1209 E	1.2	1500	1750	5/8" Hollow	18mm	13.4
6301.2601.00x	LWS 1809 E	1.8	1500	1750	5/8" Hollow	18mm	13.4
6301.2300.00x	LWS 0409 GE	0.4	1500	1750	3/4" Hollow	18mm	13.4
6301.0102.00	LWS 2020 E	2.2	2000	1750	5/8" Hollow	15mm	13.4
6301.0604.00	LWS 3020 E	3.0	2000	1750	5/8" Hollow	18mm	13.4
6301.0654.00*	LWS 3020 E-K	3.0	2000	1750	5/8" Hollow	18mm	13.4
6301.0602.00	LWS 3520 E	3.6	2000	1750	5/8" Hollow	18mm	13.4

*Built-in Unloader

x-3/8" Inlet

LWD SERIES > Pumps-Solid Shaft

- 3400 RPM - 24mm Solid Shaft
- 24mm Solid, Keyed Shaft
 - Pallet Qty 100 (Boxed or Egg-Crated)

PART #	MODEL #	GPM	PSI	RPM	SHAFT	PISTON	WT
6303.0507.00	LWD 3020 S	3.0	2000	3400	24mm Solid	15mm	13.4
6303.0803.00	LWD 3522 S	3.5	2200	3400	24mm Solid	15mm	13.4
6303.0702.00	LWD 3025 S	3.0	2500	3400	24mm Solid	15mm	13.4



LWD SERIES > Pumps-Electric Flange

- 3400 RPM - NEMA 56C -5/8" or 3/4" Hollow Shaft
- NEMA 56C Electric Motor Flange with 5/8" or 3/4" Hollow Shaft
 - Pallet Qty 100 (Boxed or Egg-Crated)

PART #	MODEL #	GPM	PSI	RPM	SHAFT	PISTON	WT
6303.0105.00	LWD 2020 E	2.1	2000	3400	5/8" Hollow	15mm	13.4
6303.0156.00	LWD 2020 E-K	2.1	2000	3400	5/8" Hollow	15mm	13.4
6303.0509.00	LWD 3020 E	3.0	2000	3400	5/8" Hollow	15mm	13.4
6303.0806.00	LWD 3522 E	3.5	2200	3400	5/8" Hollow	15mm	13.4
6303.0804.00	LWD 3522 GE	3.5	2200	3400	3/4" Hollow	15mm	13.4

"K" Denotes built-in unloader

LWD SERIES > Pumps-Gas Flange

- 3400 RPM - Gas Engine Flange
- Gas Engine Mounting Flange with 3/4" Hollow Shaft
 - Pallet Qty 100 (Boxed or Egg-Crated)

PART #	MODEL #	GPM	PSI	RPM	SHAFT	PISTON	WT
6303.0104.00	LWD 2020 G	2.1	2000	3400	3/4" Hollow	15mm	13.4
6303.1600.00	LWD 2520 G	2.5	2000	3400	3/4" Hollow	15mm	13.4
6303.0508.00	LWD 3020 G	3.0	2200	3400	3/4" Hollow	15mm	13.4
6303.0802.00	LWD 3522 G	3.5	2200	3400	3/4" Hollow	15mm	13.4
6303.0701.00	LWD 3025 G	3.0	2500	3400	3/4" Hollow	15mm	13.4
6303.1700.00	LWD 2525 G	2.5	2700	3400	3/4" Hollow	15mm	13.4

LWD SERIES > Pumps-Gas Flange

- 3400 RPM - Gas Engine Flange
- Gas Engine Mounting Flange with 3/4" Hollow Shaft
 - Pallet Qty 60 (57 Egg-Crated)

Pump with Built-In Unloader

PART #	MODEL #	GPM	PSI	RPM	SHAFT	PISTON	WT
6303.0157.00	LWD 2020 G-K	2.1	2000	3400	3/4" Hollow	15mm	16.5
6303.1652.00	LWD 2520 G-K	2.5	2000	3400	3/4" Hollow	15mm	16.5
6303.0558.00	LWD 3020 G-K	3.0	2000	3400	3/4" Hollow	15mm	16.5
6303.0754.00	LWD 3025 G-K	3.0	2500	3400	3/4" Hollow	15mm	16.5
6303.0706.00	LWD 3025 G-RF	3.0	2500	3400	3/4" Hollow	15mm	16.5
6303.1751.00	LWD 2525 G-K	2.5	2700	3400	3/4" Hollow	15mm	16.5
6303.1750.00*	LWD 2525 G-K	2.5	2700	3400	3/4" Hollow	15mm	16.5
6303.2100.00	LWD 2527 G-RF	2.5	2700	3400	3/4" Hollow	15mm	16.5

*Fixed injector

RF-Bolt-on Unloader

LW Series Mounting Rail Kits

- 5011.0184.00 Standard Rail Kit for LW Series Pumps
 5011.0216.00 Tall Rail Kit for LW Series Pumps

LW Series Repair Kits (Hot and Standard Kits also on Pages 29 & 30)

5019.0035.00	LW Water Seal Kit, 15mm	2409.0071.00	LW Piston Kit, 15mm
5019.0037.00	LW Water Seal Kit, 18mm	2409.0072.00	LW Piston Kit, 18mm
5019.0040.00	LW Oil Seal Kit Solid Shaft	5025.0011.00	LW Check Valve Kit
5019.0041.00	LW Oil Seal Kit Hollow Shaft	5026.0130.00	Unloader Rebuild Kit
		5026.0123.00	Unloader Maintenance Kit

AWD Series

Commercial Pumps

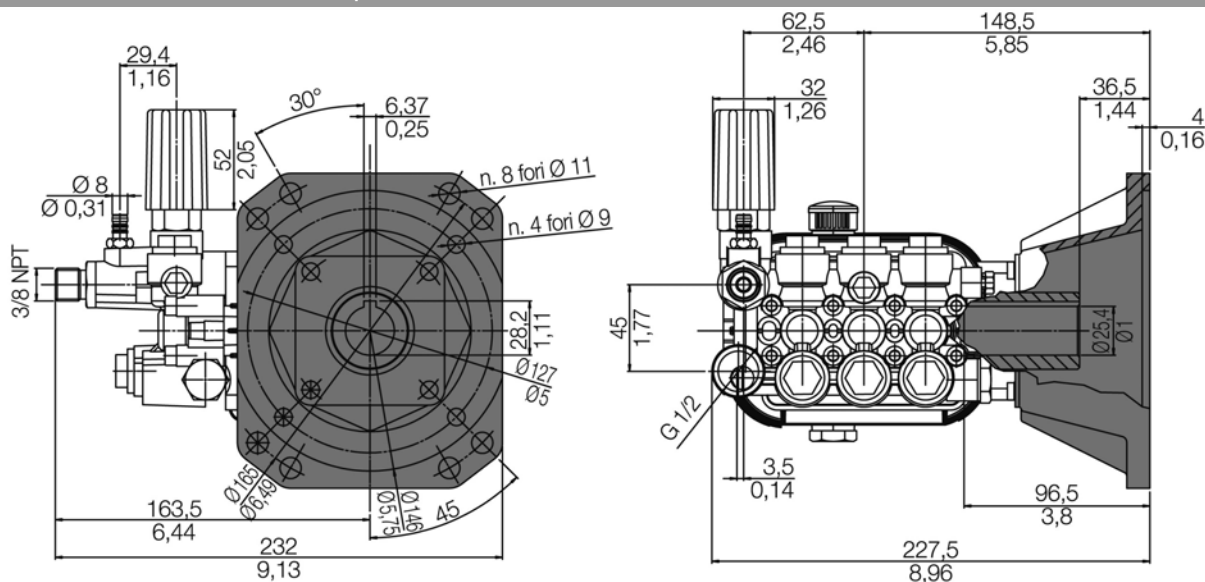
3400 RPM – Gas Engine Flange



- Pallet Qty 72

- 1/2" FPT Inlet – 3/8" MPT Outlet
- Built-in Uniflow Unloader and Fixed Chemical Injector
- Double Seal Packings (High & Low)
- Anodized Crankcase
- Ceramic Plungers
- Forged Brass Manifold
- Stainless Steel Check Valves

Takes 10 Ounces Pump Oil



AWD SERIES > Pumps-Gas Flange



Pump without Built-In Unloader

PART #	MODEL #	GPM	PSI	RPM	SHAFT	PISTON	WT
6520.0300.00	AWD 4030 G	4.0	3000	3400	1" Hollow Shaft	14mm	12.6

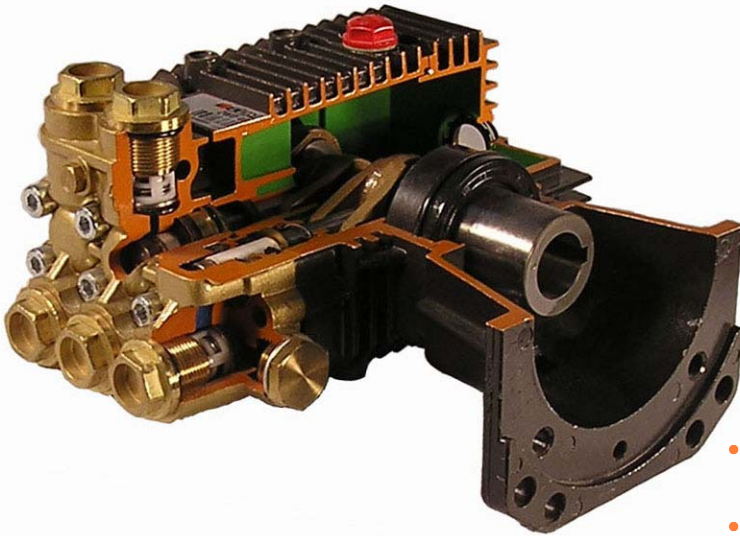
Pump with Built-In Unloader

PART #	MODEL #	GPM	PSI	RPM	SHAFT	PISTON	WT
6520.0150.00	AWD 3030 G-K	3.0	3000	3400	1" Hollow Shaft	14mm	12.6
6520.0250.00	AWD 3530 G-K	3.5	3000	3400	1" Hollow Shaft	14mm	12.6
6520.0350.00	AWD 4030 G-K	4.0	3000	3400	1" Hollow Shaft	14mm	12.6
6520.0450.00	AWD 4036 G-K	4.0	3600	3400	1" Hollow Shaft	14mm	12.6

AW Repair Kits (Kits also on Pages 29 & 30)

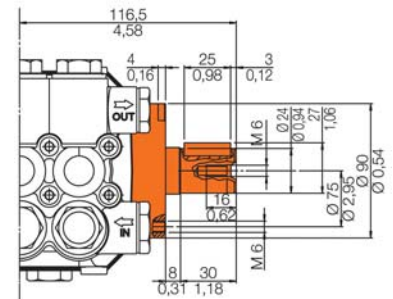
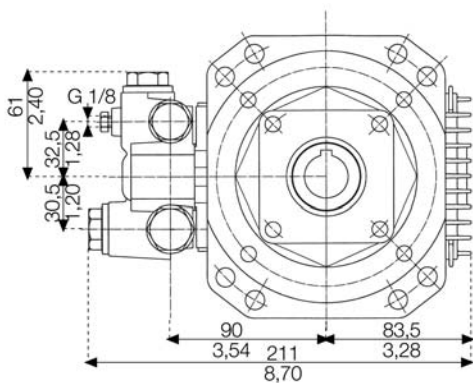
5019.0686.00	AW Water Seal Kit
5019.0687.00	AW Oil Seal Kit
5025.0030.00	Valve Kit
1215.0403.00	Unloader Kit (2700 PSI)

ZWD Series Industrial Pumps

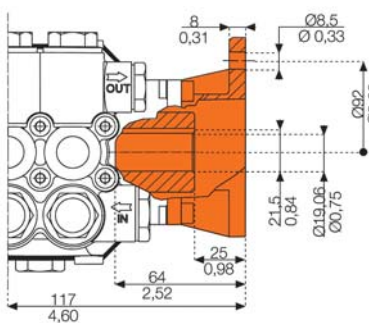


- Increased Fin Depth Increases Surface Area to Maximize Heat Dissipation
- Stainless Steel Unitized Check Valves
- Heat-Resistant Solid Ceramic Plungers Operating on Lubricated Packings
- Direct Drive Mounting Flange
- Reinforced Crankcase for Increased Load Capacity
- Enlarged Crankcase Increases Oil Capacity for Better Lubrication and Lower Operating Temperatures
- One-Piece Industrial-Grade Oversized Bronze Connecting Rods

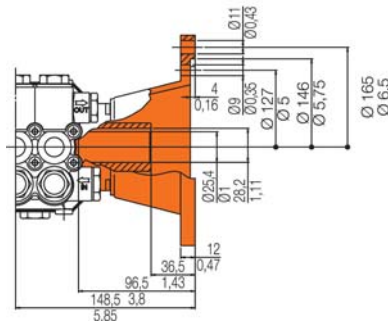
Takes 11 Ounces Pump Oil



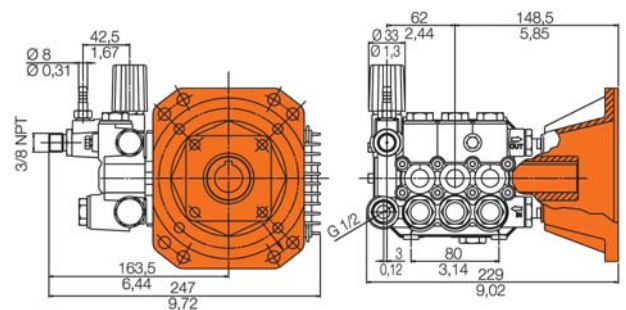
Solid Shaft
ZW-S



Gas Flange
ZW-G 3/4"



Gas Flange
ZW-G 1"



Gas Flange
ZW-G-K

ZWD SERIES > Pumps-Gas Flange

3400 RPM - Gas Engine Flange

- 1/2" FPT Inlet, 3/8" FPT Discharge
- Gas Engine Mounting Flange
- Pallet Qty: 90-Boxed; 57-Egg-Crated

PART #	MODEL #	GPM	PSI	RPM	SHAFT	PISTON	WT
6305.0104.00	ZWD 3030 G	3.0	3200	3400	3/4" Hollow	15mm	17.5
6305.1900.00	ZWD 2535 G	2.5	3500	3400	3/4" Hollow	15mm	16.5
6305.1600.00	ZWD 3035 G	3.0	3500	3400	1" Hollow	15mm	17.5
6305.1700.00	ZWD 3535 G	3.4	3500	3400	1" Hollow	15mm	17.5
6305.1800.00*	ZWD 4035 G	4.0	3500	3400	1" Hollow	15mm	17.5
6305.1100.00	ZWD 3040 G	3.0	4000	3400	1" Hollow	15mm	17.5
6305.1000.00	ZWD 3540 G	3.4	4000	3400	1" Hollow	15mm	17.5
6305.0900.00	ZWD 4040 G	4.0	4000	3400	1" Hollow	15mm	17.5

*60 Egg-Crated

ZWD SERIES > Pumps-Gas Flange

3400 RPM - Gas Engine Flange

- 1/2" FPT Inlet, 3/8" MPT Discharge
- Gas Engine Mounting Flange
- Pallet Qty 60 (57 Egg-Crated)

Pump with Built-In Unloader

PART #	MODEL #	GPM	PSI	RPM	SHAFT	PISTON	WT
6305.1650.00	ZWD 3035 G-K	3.0	3500	3400	1" Hollow	15mm	17.4
6305.1750.00	ZWD 3535 G-K	3.4	3500	3400	1" Hollow	15mm	17.4
6305.1850.00	ZWD 4035 G-K	4.0	3500	3400	1" Hollow	15mm	17.4
6305.0906.00	ZWD 4035 G-RF	4.0	3500	3400	1" Hollow	15mm	16.5
6305.1052.00	ZWD 3540 G-K	3.5	4000	3400	1" Hollow	15mm	17.4
6305.1503.00	ZWD 4040 G-K	4.0	4000	3400	1" Hollow	15mm	17.4

RF-Bolt-on Unloader

ZWD SERIES > Pumps-Gas Flange

3400 RPM - 24mm Solid Shaft

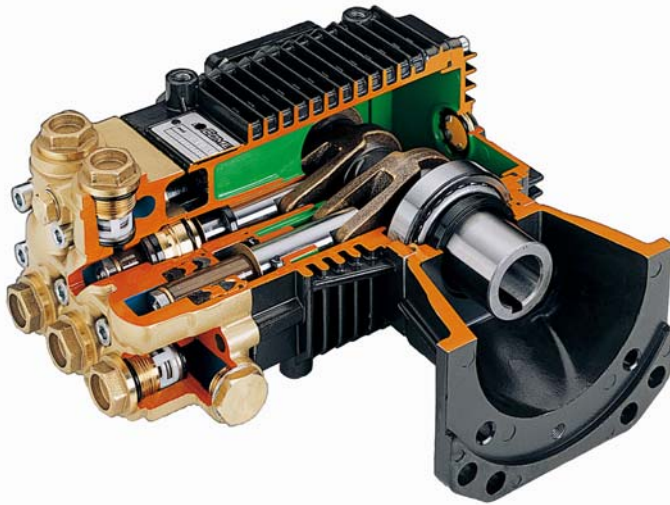
- 1/2" FPT Inlet, 3/8" FPT Discharge
- 24mm Solid, Keyed Shaft
- Pallet Qty 90 (57 Egg-Crated)

PART #	MODEL #	GPM	PSI	RPM	SHAFT	PISTON	WT
6305.0603.00	ZWD 4030 S	4.0	3000	3400	24mm Solid	15mm	17.4

ZW Series Repair Kits (Kits also on Pages 29 & 30)

5019.0064.00	ZW Seal Kit, 15mm	2409.0071.00	ZWD Piston Kit, 15mm
5025.0011.00	Check Valve Kit	5019.0040.00	ZWD Oil Seal Kit, Solid Shaft
1215.0403.00	Unloader Repair Kit	5019.0065.00	ZW Oil Seal Kit Hollow Shaft

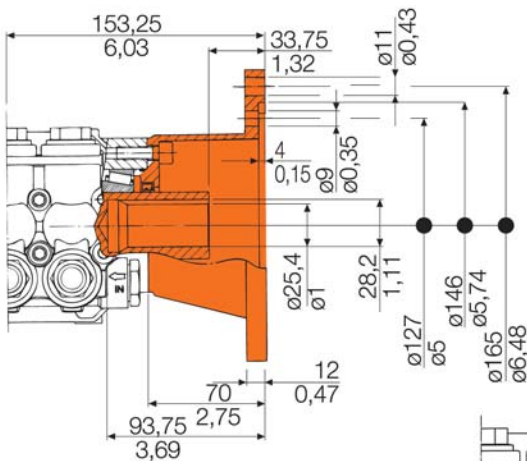
FWD Series Industrial Pumps



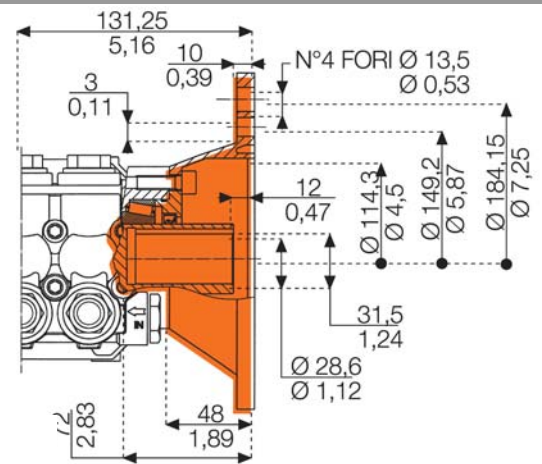
- > 1450 RPM
- > 1750 RPM
- > 3400 RPM

- Reversible Crankcase for Easy Right or Left Hand Mounting
- Hardened Stainless Steel Piston Guides
- Highly Efficient Stainless Steel Check Valves
- Solid Ceramic Plungers
- High & Low Pressure Seals: High Quality Buna-Textile Packings
- Additional Anti-Extrusion Ring under the Seal
- Solid or Hollow Shaft
- Solid Brass Manifolds
- Special Forged Brass Oversized Connecting Rods
- Flange for Direct Mounting to Gas Engines or Electric Motors (Hollow Shaft Models Only.)
- Die-Cast, Anodized Aluminum Crankcase
- High Quality Tapered Roller Bearings
- Optimal Oil Bath for High Speed Operation

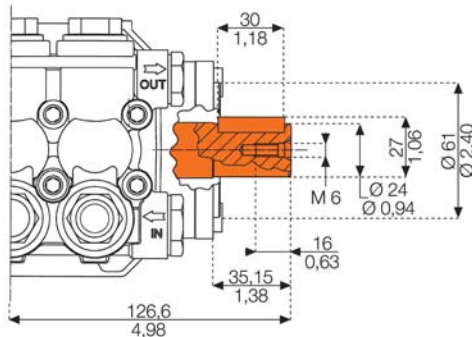
Takes 19 Ounces Pump Oil



Gas Flange
FW-G



Electric Flange
FW-E



Solid Shaft
FW-S

FW SERIES > Pumps-Solid Shaft

1450 RPM - 24mm Solid Shaft

- 1/2" FPT Inlet, 3/8" FPT Discharge
- 24mm Solid, Keyed Shaft
- Pallet Qty 60 (Boxed or Egg-Crated)

PART #	MODEL #	GPM	PSI	RPM	SHAFT	PISTON	WT
6400.1106.00	FW 4030 S	4.0	3000	1450	24mm Solid	18mm	19.4
6401.0907.00*	FW 3530 S	3.4	3000	1450	24mm Solid	18mm	19.4
6400.0202.00	FW 5030 S	5.0	3000	1450	24mm Solid	20mm	19.4
6400.1400.00	FW 5530 S	5.5	3000	1450	24mm Solid	20mm	19.4

* Dual rated pump--6401.0907.00, Model FWS 4030 S

FW SERIES > Pumps-Solid Shaft

1750 RPM - 24mm Solid Keyed Shaft

- 1/2" FPT Inlet, 3/8" FPT Discharge
- 24mm Solid, Keyed Shaft
- Pallet Qty 60 (Boxed or Egg-Crated)

PART #	MODEL #	GPM	PSI	RPM	SHAFT	PISTON	WT
6401.0801.00	FWS 6020 S	5.9	2000	1750	24mm Solid	20mm	19.6
6401.1201.00	FWS 5525 S	5.7	2500	1750	24mm Solid	20mm	19.6
6401.0703.00	FWS 3530 S	3.5	3000	1750	24mm Solid	18mm	19.6
6401.0907.00	FWS 4030 S	4.1	3000	1750	24mm Solid	18mm	19.6
6401.0102.00	FWS 4530 S	4.5	3000	1750	24mm Solid	18mm	19.6

FWS SERIES > Pumps-Electric Flange

1750 RPM - 184T Elec. Flange

- 1/2" FPT Inlet, 3/8" FPT Discharge
- 184T Electric Motor Flange with 1-1/8" Hollow Shaft
- Pallet Qty 60 (Boxed or Egg-Crated)

PART #	MODEL #	GPM	PSI	RPM	SHAFT	PISTON	WT
6401.2300.00	FWS 3030 E	3.0	3000	1750	1 1/8" Hollow	18mm	20.3
6401.0704.00	FWS 3530 E	3.5	3000	1750	1 1/8" Hollow	18mm	20.3
6401.0908.00	FWS 4030 E	3.9	3000	1750	1 1/8" Hollow	18mm	20.3
6401.0103.00	FWS 4530 E	4.5	3000	1750	1 1/8" Hollow	18mm	20.3
6401.2200.00	FWS 5030 E	4.9	3000	1750	1 1/8" Hollow	20mm	20.3
6401.1900.00	FWS 5530 E	5.6	3000	1750	1 1/8" Hollow	20mm	20.3

FWD SERIES > Pumps-Electric Flange

3400 RPM - 184T Elec. Flange

- 1/2" FPT Inlet, 3/8" FPT Discharge
- 184T Electric Motor Flange with 1-1/8" Hollow Shaft
- Pallet Qty 60 (Boxed or Egg-Crated)

PART #	MODEL #	GPM	PSI	RPM	SHAFT	PISTON	WT
6402.0103.00	FWD 3530 E	3.3	3000	3400	1 1/8" Hollow	18mm	20.3
6402.0801.00	FWD 4530 E	4.4	3000	3400	1 1/8" Hollow	18mm	20.3

FWD SERIES > Pumps-Gas Flange

- 3400 RPM - Gas Engine Flange
- 1/2" FPT Inlet, 3/8" FPT Discharge
 - Gas Engine Mounting Flange with 1" Hollow Shaft
 - Pallet Qty: 60-Boxed; 48-Egg-Crated

PART #	MODEL #	GPM	PSI	RPM	SHAFT	PISTON	WT
6402.0102.00	FWD 3530 G	3.3	3000	3400	1" Hollow	18mm	20.3
6402.1000.00	FWD 4035 G	3.9	3500	3400	1" Hollow	18mm	20.3
6402.0800.00	FWD 4530 G	4.4	3000	3400	1" Hollow	18mm	20.3

FW Series Mounting Rail Kits

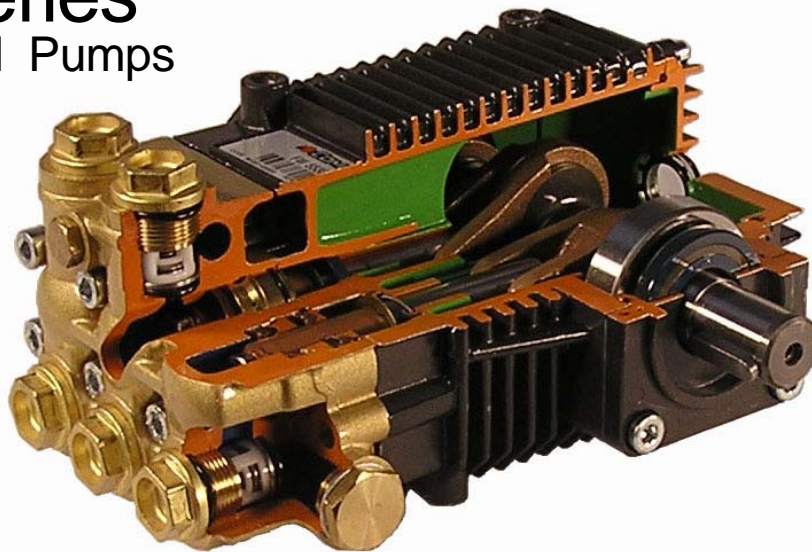
- 5011.0185.00 Standard Mounting Rail Kit for FW Series Pumps
 5011.0216.00 Tall Mounting Rail Kit for FW Series Pumps

FW Series Repair Kits (Kits also on Pages 29 & 30)

- | | | | |
|--------------|------------------------------|--------------|-----------------------------|
| 5019.0038.00 | FW Seal Kit, 18mm | 5025.0011.00 | Check Valve Kit |
| 5019.0039.00 | FW Seal Kit, 20mm | 5025.0025.00 | High Flow Valve Kit, 5+ GPM |
| 5019.0044.00 | FW Oil Seal Kit Solid Shaft | 2409.0073.00 | FW Piston Kit, 18mm |
| 5019.0045.00 | FW Oil Seal Kit Hollow Shaft | 2409.0074.00 | FW Piston Kit, 20mm |

HW Series

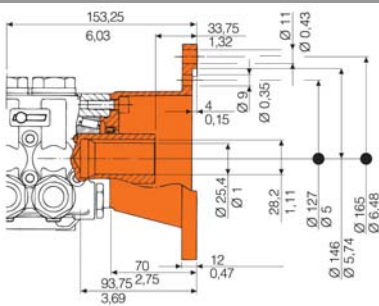
Industrial Pumps



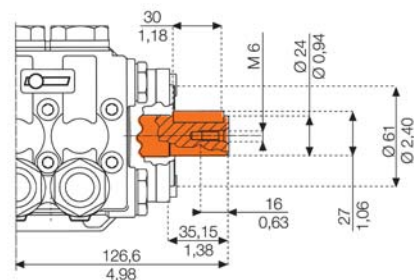
- Reversible Crankcase for Easy Right or Left Hand Mounting
- Hardened Stainless Steel Piston Guides
- Highly Efficient Stainless Steel Check Valves
- Solid Ceramic Plungers
- High & Low Pressure Seals: High Quality Buna-Textile Packings
- Additional Anti-Extrusion Ring under the Seal
- Solid or Hollow Shaft
- Solid Brass Manifolds
- Special Forged Brass Oversized Connecting Rods
- Flange for Direct Mounting to Gas Engines (Hollow Shaft Models Only.)
- Die-Cast, Anodized Aluminum Crankcase
- High Quality Tapered Roller Bearings
- Optimal Oil Bath for High Speed Operation

- > 1450 RPM
- > 1750 RPM
- > 3400 RPM

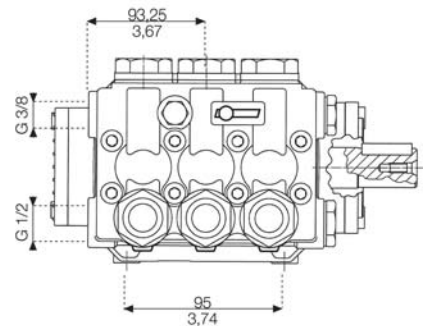
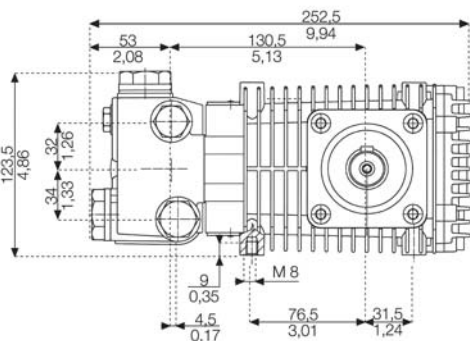
Takes 19 Ounces Pump Oil



Gas Flange
HW-G



Solid Shaft
HW-S





HW SERIES > Pumps-Solid Shaft

- 1450 RPM - 24mm Solid Keyed Shaft
- 1/2" FPT Inlet, 3/8" FPT Discharge
 - 24mm Solid, Keyed Shaft
 - Pallet Qty 60 (Boxed or Egg-Crated)

PART #	MODEL #	GPM	PSI	RPM	SHAFT	PISTON	WT
6403.0500.00	HW 3540 S	3.4	4000	1450	24mm Solid	18mm	20.0
6403.0200.00	HW 4040 S	4.0	4000	1450	24mm Solid	18mm	20.0
6403.0400.00	HW 4540 S	4.4	4000	1450	24mm Solid	18mm	20.0

HWS SERIES > Pumps-Solid Shaft

- 1750 RPM - 24mm Solid Keyed Shaft
- 1/2" FPT Inlet, 3/8" FPT Discharge
 - 24mm Solid, Keyed Shaft
 - Pallet Qty 60 (Boxed or Egg-Crated)

PART #	MODEL #	GPM	PSI	RPM	SHAFT	PISTON	WT
6404.0200.00	HWS 4040 S	4.0	4000	1750	24mm Solid	18mm	20.0
6404.0500.00	HWS 5040 S	5.2	4000	1750	24mm Solid	18mm	20.0

HWS SERIES > Pumps-Gas Flange

- 3400 RPM - Gas Engine Flange
- 1/2" FPT Inlet, 3/8" FPT Discharge
 - Gas Engine Mounting Flange with 1" Hollow Shaft
 - Pallet Qty: 60-Boxed; 46-Egg-Crated

PART #	MODEL #	GPM	PSI	RPM	SHAFT	PISTON	WT
6405.0200.00	HWD 3540 G	3.3	4000	3400	1" Hollow	18mm	20.0
6405.0101.00	HWD 4040 G	3.9	4000	3400	1" Hollow	18mm	20.0
6405.0300.00	HWD 4540 G	4.4	4000	3400	1" Hollow	18mm	20.0
6405.0400.00	HWD 5540 G	5.3	4000	3400	1" Hollow	18mm	20.0

HW Series Mounting Rail Kits

- 5011.0185.00 Standard Mounting Rail Kit for HW Series Pumps
 5011.0216.00 Tall Mounting Rail Kit for HW Series Pumps

HW Series Repair Kits (Kits also on Pages 29 & 30)

- | | | | |
|--------------|-------------------------|--------------|------------------------------|
| 5025.0011.00 | Check Valve Kit | 2409.0073.00 | HW Piston Kit, 18mm |
| 5019.0631.00 | HW Water Seal Kit, 18mm | 5019.0044.00 | HW Oil Seal Kit Solid Shaft |
| | | 5019.0045.00 | HW Oil Seal Kit Hollow Shaft |

LW & ZW Series

Bolt-On Unloader Pumps

3400 RPM - Gas Engine Flange



- Pallet Qty 60 (57 Egg-Crated)

- 1/2" FPT Inlet, 3/8" MPT Discharge
- Anodized, Die-Cast Aluminum Crankcase
- Solid Ceramic Plungers
- Stainless Steel Check Valves
- Buna-Textile V-Packings
- Reversible Crankcase for Right or Left Hand Mounting
- Gas Engine Mounting Flange

PART #	MODEL #	GPM	PSI	RPM	SHAFT	PISTON	WT
6303.0706.00	LWD 3025 G-RF	3.0	2500	3400	3/4" Hollow	15mm	17.7
6303.2100.00	LWD 2527 G-RF	2.5	2700	3400	3/4" Hollow	15mm	17.9
6305.0906.00*	ZWD 4035 G-RF	4.0	3500	3400	1" Hollow	15mm	21.0

RF-Bolt-on Unloader

ZWD has a fixed injector

FW & HW Series

Gear Reducer Pumps

1450 RPM - Gear Reduction Drive



- 1/2" FPT Inlet, 3/8" FPT Discharge
- Anodized, Die-Cast Aluminum Crankcase
- Solid Ceramic Plungers
- Stainless Steel Check Valves & Piston Guides
- Buna-Textile V-Packings
- Oversized Bronze Connecting Rods
- 24mm Solid, Keyed Shaft on Pump
- 2.2:1 Gear Reduction with 1" Hollow Shaft for Direct Mounting to Gas Engines

Takes 19 Ounces Pump Oil

PART #	MODEL #	GPM	PSI	RPM(Pump/Drive)	SHAFT	PISTON	WT
6400.1004.00	FW 3530 SGR	3.7	3000	1545/3400	1" Hollow	18mm	28.3
6400.1113.00	FW 4030 SGR	4.2	3000	1545/3400	1" Hollow	18mm	29.4
6400.0203.00	FW 5030 SGR	5.3	3000	1545/3400	1" Hollow	20mm	29.4
6400.1401.00	FW 5530 SGR	5.8	3000	1545/3400	1" Hollow	20mm	29.4
6403.0201.00	HW 4040 SGR	4.2	4000	1545/3400	1" Hollow	18mm	31.0
6403.0401.00	HW 4540 SGR	4.8	4000	1545/3400	1" Hollow	18mm	31.0

FW / HW Series Repair Kits (Kits also on Pages 37 & 38)

5019.0038.00	FW Water Seal Kit, 18mm	2409.0073.00	HW Piston Kit, 18mm
5019.0631.00	HW Water Seal Kit, 18mm	2409.0074.00	HW Piston Kit, 20mm
5019.0039.00	FW Water Seal Kit, 20mm	5025.0011.00	Check Valve Kit
		5019.0045.00	FW/HW Seal Kit Hollow Shaft

RW Series Premium Pumps



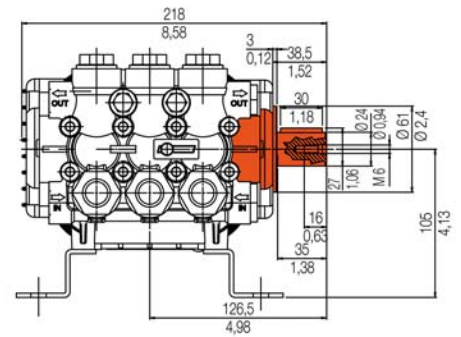
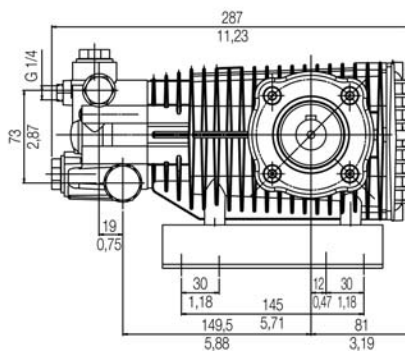
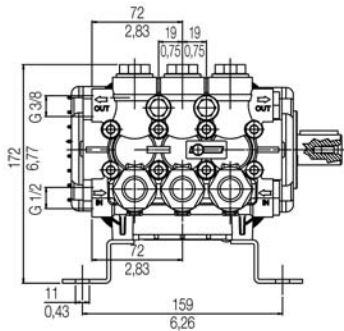
- > 1450 RPM
- > 1750 RPM

- Heavy Duty up to 4000 PSI
- High Volume up to 6.6 GPM
- Long Life Seals

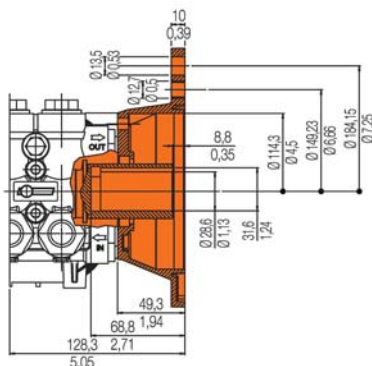
• **Pallet Qty 36**

- Crankcase: Die-Cast Aluminum Alloy for Protection Against Corrosion
- Piston Guides are Heat Treated Stainless Steel
- Highly Efficient Stainless Steel Check Valves
- Solid Ceramic Plungers
- Brass Manifold: Forged for Maximum Strength and Longer Life up to 4000 PSI
- Direct Mount to Gas Engines or Electric Motors
- One Piece, Solid Bronze Alloy Connection Rods
- Solid Shaft 24mm for Belt Drive, Gearbox or Flex Couplers
- Oil Cap: New Travel/Working Oil Cap
- High Quality Tapered Roller Bearings
- Large Oil Capacity Dissipates Heat and Improves Lubrication for Longer Life

Takes 25 Ounces Pump Oil



Solid Shaft
RW-S



Electric Flange
RW-E

RW SERIES > Pumps-Solid Shaft

1450 RPM - 24mm Solid Shaft

- 1/2" FPT Inlet, 3/8" FPT Discharge

PART #	MODEL #	GPM	PSI	RPM	SHAFT	PISTON	WT
6517.0100.00	RW 4030 S	4.1	3000	1450	24mm	20mm	27.0
6517.0102.00*	RW 4030 S	4.1	3000	1450	24mm	20mm	27.0
6517.0600.00	RW 5030 S	5.0	3000	1450	24mm	20mm	27.0
6517.0800.00	RW 5530 S	5.5	3000	1450	24mm	20mm	27.0
6517.0803.00*	RW 5530 S	5.5	3000	1450	24mm	20mm	27.0
6517.0900.00	RW 6030 S	6.2	3000	1450	24mm	20mm	27.0
6517.0902.00*	RW 6030 S	6.2	3000	1450	24mm	20mm	27.0
6517.1100.00	RW 4035 S	4.0	3500	1450	24mm	20mm	27.0
6517.1300.00	RW 5535 S	5.5	3500	1450	24mm	20mm	27.0
6517.1001.00	RW 3540 S	3.3	4000	1450	24mm	18mm	27.0
6517.1400.00	RW 4040 S	4.0	4000	1450	24mm	18mm	27.0
6517.1101.00	RW 4540 S	4.4	4000	1450	24mm	18mm	27.0
6517.1201.00	RW 5040 S	4.9	4000	1450	24mm	18mm	27.0

*Hot Water Pump with Kevlar Seals

RWS SERIES > Pumps-Solid Shaft

1750 RPM - 24mm Solid Shaft

- 1/2" FPT Inlet, 3/8" FPT Discharge

PART #	MODEL #	GPM	PSI	RPM	SHAFT	PISTON	WT
6518.0800.00	RWS 6020 S	5.9	2000	1750	24mm	20mm	27.0
6518.0900.00	RWS 6520 S	6.6	2000	1750	24mm	20mm	27.0
6518.1600.00	RWS 7020 S	7.0	2000	1750	24mm	20mm	27.0
6518.0100.00	RWS 3030 S	3.0	3000	1750	24mm	20mm	27.0
6518.0200.00	RWS 3530 S	3.6	3000	1750	24mm	20mm	27.0
6518.0400.00	RWS 4030 S	4.1	3000	1750	24mm	20mm	27.0
6518.0500.00	RWS 4530 S	4.4	3000	1750	24mm	20mm	27.0
6518.0600.00	RWS 5030 S	4.9	3000	1750	24mm	20mm	27.0
6518.0700.00	RWS 5530 S	5.7	3000	1750	24mm	20mm	27.0
6518.1000.00	RWS 3035 S	3.0	3500	1750	24mm	20mm	27.0
6518.1500.00	RWS 5535 S	5.7	3500	1750	24mm	20mm	27.0
6518.1101.00	RWS 3540 S	3.6	4000	1750	24mm	18mm	27.0
6518.1201.00	RWS 4040 S	4.0	4000	1750	24mm	18mm	27.0
6518.1301.00	RWS 4540 S	4.8	4000	1750	24mm	18mm	27.0
6518.1401.00	RWS 5040 S	5.3	4000	1750	24mm	18mm	27.0
6518.0801.00	RWS 6040 S	6.0	4000	1750	24mm	18mm	27.0

RWS SERIES > Pumps-Electric Flange

1750 RPM - 1-1/8" Hollow Shaft

- 1/2" FPT Inlet, 3/8" FPT Discharge
- 184T Electric Flange with 1-1/8" Hollow Shaft

PART #	MODEL #	GPM	PSI	RPM	SHAFT	PISTON	WT
6518.0201.00	RWS 3530 E	3.6	3000	1750	1 1/8" Hollow	20mm	27.0
6518.0401.00	RWS 4030 E	4.1	3000	1750	1 1/8" Hollow	20mm	27.0
6518.0501.00	RWS 4530 E	4.4	3000	1750	1 1/8" Hollow	20mm	27.0
6518.0601.00	RWS 5030 E	4.9	3000	1750	1 1/8" Hollow	20mm	27.0
6518.0701.00	RWS 5530 E	5.7	3000	1750	1 1/8" Hollow	20mm	27.0

RW Series Mounting Rail Kits

5011.0229.00	Standard Mounting Rail Kit for RW Series Pumps
5011.0257.00	Tall Mounting Rail Kit for Premium Series Pumps

RW Series Repair Kits (Kits also on Pages 29 & 30)

2409.0146.00	RW Piston Kit, 18mm	5019.0673.00	RW Water Seal Kit, 18mm
2409.0145.00	RW Piston Kit, 20mm	5019.0672.00	RW Water Seal Kit, 20mm
5025.0011.00	Valve Kit, up to 4.8 GPM	5019.0675.00	RW Oil Seal Kit, Solid Shaft
5025.0025.00	Valve Kit, 4.9 GPM+	5019.0679.00	RW Oil Seal Kit, Hollow Shaft
5019.0676.00	Seal kit, Hot Water, 20mm	5019.0674.00	Water Seal Kit, Kevlar 20mm

SW Series

Premium Pumps



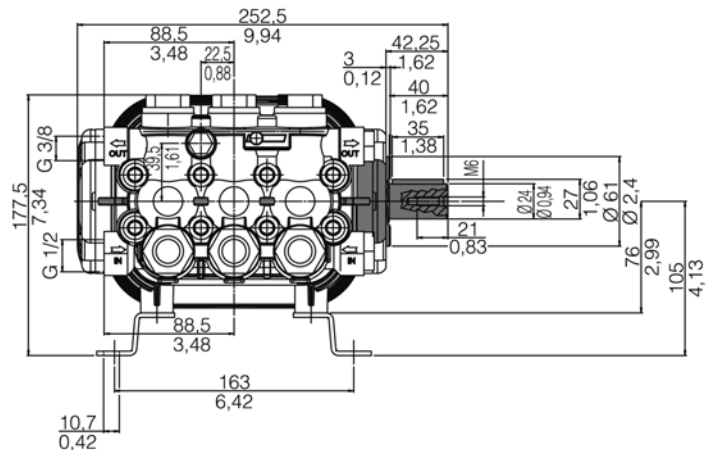
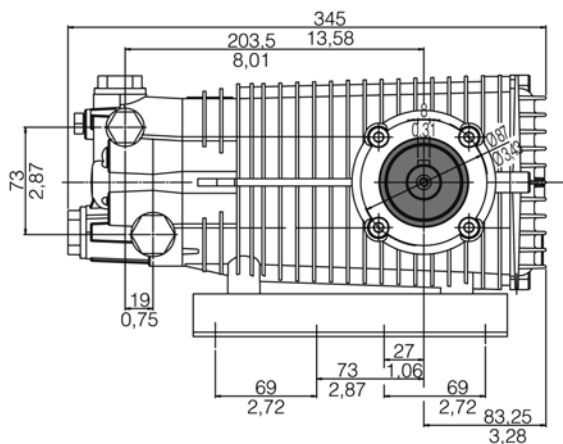
- > 1450 RPM
- > 1750 RPM

24mm Solid Keyed Shaft

- Heavy Duty up to 4000 PSI
- High Volume up to 5.5 GPM
- Long Life Seals
- Pallet Quantity 24

- 1/2" FPT Inlet, 3/8" FPT Discharge
- Crankcase: Die-Cast Aluminum Alloy for Protection Against Corrosion
- Piston Guides are Heat Treated Stainless Steel
- Highly Efficient Stainless Steel Check Valves
- Solid Ceramic Plungers
- Brass Manifold: Forged for Maximum Strength and Longer Life up to 4000 PSI
- One Piece, Solid Bronze Alloy Connection Rods
- Solid Shaft 24mm for Belt Drive, Gearbox or Flex Couplers
- Oil Cap: New Travel/Working Oil Cap
- High Quality Tapered Roller Bearings
- Large Oil Capacity Dissipates Heat and Improves Lubrication for Longer Life

Takes 37 Ounces Pump Oil



Solid Shaft
SW-S

SW SERIES > Pumps-Solid Shaft

PART #	MODEL #	GPM	PSI	RPM	SHAFT	PISTON	WT
6515.0100.00	SW 4040 S	4.0	4000	1450	24mm	20mm	39.0
6515.0102.00*	SW 4040 S	4.0	4000	1450	24mm	20mm	39.0
6515.0200.00	SW 5540 S	5.5	4000	1450	24mm	20mm	39.0
6515.0204.00*	SW 5540 S	5.5	4000	1450	24mm	20mm	39.0

*Hot Water Pump with Kevlar Seals

SWS SERIES > Pumps-Solid Shaft

PART #	MODEL #	GPM	PSI	RPM	SHAFT	PISTON	WT
6516.0200.00	SWS 5025 S	5.0	2500	1750	24mm	20mm	39.0
6516.0100.00	SWS 4040 S	4.0	4000	1750	24mm	20mm	39.0
6516.0101.00*	SWS 4040 S	4.0	4000	1750	24mm	20mm	39.0

*Hot Water Pump with Kevlar Seals

SW Series Mounting Rail Kits

5011.0214.00	Standard Mounting Rail Kit for SW/TW Series Pumps
5011.0257.00	Tall Mounting Rail Kit for Premium Series Pumps

SW Series Repair Kits (Kits also on Pages 29 & 30)

5025.0011.00	Valve Kit
2409.0074.00	Piston Kit, 20mm
5019.0648.00	Seal Kit, Water
5019.0650.00	Oil Seal Kit
5019.0665.00	SW Seal Kevlar Kit 20mm
5019.0670.00	SW Hot Water Seal Kit, 20mm

TW Series

Premium Pumps

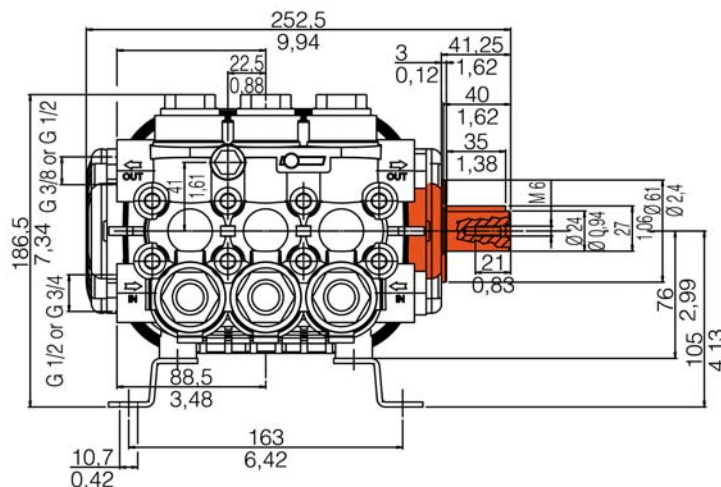


- > 1000 RPM
- > 1450 RPM
- > 1750 RPM

24mm Solid Keyed Shaft

- Heavy Duty up to 5000 PSI
- High Volume up to 13.0 GPM
- Long Life Seals
- Pallet Quantity 24
- 1/2" or 3/4" FPT Inlet, 3/8" FPT Discharge
- Crankcase: Die-Cast Aluminum Alloy for Protection Against Corrosion
- Piston Guides are Heat Treated Stainless Steel
- Highly Efficient Stainless Steel Check Valves
- Solid Ceramic Plungers
- Brass Manifold: Forged for Maximum Strength and Longer Life up to 5000 PSI
- One Piece, Solid Bronze Alloy Connection Rods
- Solid Shaft 24mm for Belt Drive, Gearbox or Flex Couplers
- Oil Cap: New Travel/Working Oil Cap
- High Quality Tapered Roller Bearings
- Large Oil Capacity Dissipates Heat and Improves Lubrication for Longer Life

Takes 37 Ounces Pump Oil



Solid Shaft
TW-S

TWN SERIES > Pumps-Solid Shaft

PART #	MODEL #	GPM	PSI	RPM	SHAFT	PISTON	INLET	WT
6512.0200.00	TWN 7025 S	7.0	2500	1000	24mm	25mm	3/4"	45.0
6512.0300.00	TWN 8025 S	8.0	2500	1000	24mm	25mm	3/4"	45.0
6512.0100.00	TWN 6036 S	6.0	3600	1000	24mm	22mm	1/2"	45.0

TW SERIES > Pumps-Solid Shaft

PART #	MODEL #	GPM	PSI	RPM	SHAFT	PISTON	INLET	WT
6513.1200.00	TW 11025 S	11.0	2500	1450	24mm	25mm	3/4"	45.0
6513.1201.00*	TW 11025 S	11.0	2500	1450	24mm	25mm	3/4"	45.0
6513.1000.00	TW 10025 S	10.0	2500	1450	24mm	25mm	3/4"	45.0
6513.1400.00	TW 8030 S	8.7	3000	1450	24mm	22mm	3/4"	45.0
6513.1401.00*	TW 8030 S	8.7	3000	1450	24mm	22mm	3/4"	45.0
6513.0700.00	TW 7036 S	7.0	3600	1450	24mm	22mm	3/4"	45.0
6513.0900.00	TW 8036 S	8.6	3600	1450	24mm	22mm	3/4"	45.0
6513.0400.00	TW 4550 S	4.7	5000	1450	24mm	18mm	1/2"	45.0
6513.1300.00	TW 5050 S	5.2	5000	1450	24mm	18mm	1/2"	45.0
6513.0300.00	TW 5550 S	5.8	5000	1450	24mm	18mm	1/2"	45.0

*Hot Water Pump with Kevlar Seals

TWS SERIES > Pumps-Solid Shaft

PART #	MODEL #	GPM	PSI	RPM	SHAFT	PISTON	INLET	WT
6514.0900.00	TWS 13020 S	13.0	2000	1750	24mm	25mm	3/4"	45.0
6514.0800.00	TWS 10025 S	10.7	2500	1750	24mm	25mm	3/4"	45.0
6514.0700.00	TWS 9030 S	9.3	3000	1750	24mm	22mm	3/4"	45.0
6514.1100.00	TWS 10030 S	10.7	3000	1750	24mm	22mm	3/4"	45.0
6514.0600.00	TWS 8035 S	8.3	3500	1750	24mm	22mm	3/4"	45.0
6514.0500.00	TWS 7040 S	7.0	4000	1750	24mm	18mm	3/4"	45.0
6514.1000.00	TWS 5050 S	5.3	5000	1750	24mm	18mm	1/2"	45.0
6514.0100.00	TWS 5550 S	5.6	5000	1750	24mm	18mm	1/2"	45.0

TW Series Mounting Rail Kits

5011.0214.00	Standard Mounting Rail Kit for SW/TW Series Pumps
5011.0257.00	Tall Mounting Rail Kit for Premium Series Pumps

TW Series Repair Kits (Kits also on Pages 29 & 30)

5025.0020.00	Valve Kit (Up to 3600 PSI)	5019.0645.00	Seal Kit 18mm, Water
5025.0021.00	Valve Kit (4000+ PSI)	5019.0646.00	Seal Kit 22mm, Water
2409.0116.00	Piston Kit 18mm	5019.0647.00	Seal Kit 25mm, Water
2409.0114.00	Piston Kit 22mm	5019.0644.00	Seal Kit, Oil (Up to 3600 PSI)
2409.0115.00	Piston Kit 25mm	5019.0649.00	Seal Kit, Oil (4000+ PSI)

Hot Water Packing Kits-TW Series

5019.0653.00	Packing Kit 18mm
5019.0654.00	Packing Kit 22mm
5019.0655.00	Packing Kit 25mm
5019.0662.00	Seal Kit, Kevlar 22mm
5019.0663.00	Seal Kit, Kevlar 25mm

AX & LW Series

Misting Pumps

AXS SERIES > Pumps-Low Flow, Misting

1750 RPM – 5/8" Hollow Shaft



- 3/4" FGH Inlet – 3/8" MPT Outlet
- Built-in Uniflow Unloader and Chemical Injector
- Ceramic Plungers
- Built-in Garden Hose Adapter
- Industrial Duty Construction for Extended Life
- Optional Built-in Thermal Protector & Pressure Relief
- Stainless Steel Check Valves
- Forged Brass Manifold
- Patent Registered Ball Bearing Design
- Misting and High Pressure Applications
- Pallet Qty: 90-Boxed; 70-Egg-Crated

PART #	MODEL #	GPM	PSI	RPM	SHAFT	WT
6502.0009.00	AXS 0415 E	0.4	1500	1750	5/8" Hollow	12.0
6502.0010.00	AXS 0615 E	0.6	1500	1750	5/8" Hollow	12.0
6502.0005.00	AXS 1015 E	0.9	1500	1750	5/8" Hollow	12.0
6502.0008.00	AXS 1315 E	1.3	1500	1750	5/8" Hollow	12.0
6502.0006.00	AXS 2015 E	1.7	1500	1750	5/8" Hollow	12.0

LW SERIES > Pumps-Low Flow, Misting

1450 RPM - 1750 RPM

24mm Solid Shaft - 5/8" Hollow - 3/4" Hollow



- 3/8" FPT Inlet, 3/8" FPT Discharge
- Anodized, Die-Cast Aluminum Crankcase
- Solid Ceramic Plungers
- Stainless Steel Check Valves & Piston Guides
- Buna-Textile V-Packings
- Reversible Crankcase for Right or Left Hand Mounting
- 24mm Solid, Keyed Shaft
- Misting and High Pressure Applications
- Pallet Qty 100 (Boxed or Egg-Crated)

PART #	MODEL #	GPM	PSI	RPM	SHAFT	PISTON	WT
6300.1501.00	LW 0509 S	0.5	1500	1450	24mm Solid	15mm	13.4
6300.1401.00	LW 1009 S	1.0	1500	1450	24mm Solid	18mm	13.4
6300.1601.00	LW 1509 S	1.5	1500	1450	24mm Solid	18mm	13.4
6301.2700.00	LWS 0609 S	0.6	1500	1750	24mm Solid	15mm	13.4
6301.2500.00	LWS 1209 S	1.2	1500	1750	24mm Solid	18mm	13.4
6301.2600.00	LWS 1809 S	1.8	1500	1750	24mm Solid	18mm	13.4
6301.2701.00	LWS 0609 E	0.6	1500	1750	5/8" Hollow	15mm	13.4
6301.2501.00	LWS 1209 E	1.2	1500	1750	5/8" Hollow	18mm	13.4
6301.2601.00	LWS 1809 E	1.8	1500	1750	5/8" Hollow	18mm	13.4
6301.2300.00	LWS 0409 GE	0.4	1500	1750	3/4" Hollow	18mm	13.4

Pump Accessories

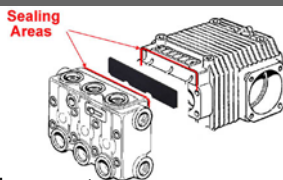
ANTI-FREEZE – Pump Saver



- Protects Pump from Freezing in Winter
- Attaches to any Pump Inlet to Fill Pump Chamber

Part #	Description
8102.5000.00	Pump Saver

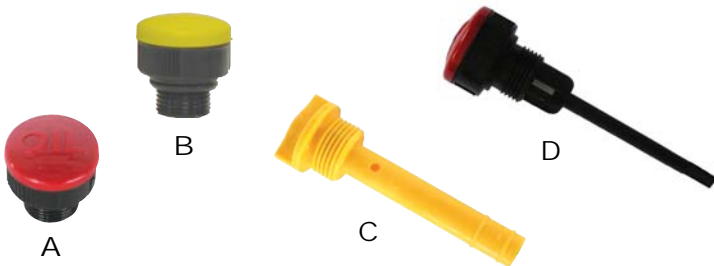
GASKET – Manifold



*Extra Protection against a Dirty Environment

Part #	Description
1201.0168.00	Seal for LW & ZW
1201.0167.00	Seal for FW & HW

PUMPS – Oil Caps & Dipsticks



Part #	Description	
3200.0071.00	Oil Cap, AX	A
3200.0086.00	Oil Cap, BX	B
3200.0051.00	Dipstick, LW,ZW,FW,HW,RW	C
3200.0075.00	Dipstick, SW & TW	D

OIL – Comet Pumps



- Specially Formulated for use in all High-Pressure Industrial Piston Pumps
- Universal Tractor Transmission Oil (UTTO)
- 30 Wt. Non-Detergent & Non-Foaming

Part #	Description
8102.1801.00	Pump Oil, 32 oz. Bottle
8102.1802.00	Pump Oil, Case of 12 Bottles

Comet Industrial Pump Oil is a specially formulated non-detergent, non-foaming oil, which is AW100 rated for superior oxidation protection. Comet recommends changing pump oil after the initial 50 hours of operation and every 300 hours thereafter.

OIL – HPP Pumps

Part #	Description
8102.1811.00	Pump Oil, 5 Gal. Bottle
8102.1812.00	Pump Oil, Case of 2 Bottles

PUMPS – Rail Kits



Part #	Description
5011.0184.00	Rail Kit for LW
5011.0216.00	Tall Rail Kit for LW
5011.0185.00	Rail Kit for FW & HW
5011.0229.00	Rail Kit for RW
5011.0214.00	Rail Kit for SW & TW
5011.0257.00	Tall Rail Kit for RW, SW & TW

Repair Kits



All Comet Pump repair kits contain the quantity of components necessary to rebuild the entire pump.

Unloader Repair

Part #	Description
5026.0143.00	AX/GXD Unloader Rebuild Kit
5026.0142.00	AX/GXD Unloader Kit M22X1.5
1215.0402.00	AXD Unloader Cartridge
1215.0403.00	BXD-G,BW/AW Cartridge
1215.0401.00	BXD Elect., Unloader Cartridge
5026.0144.00	AX/GXD Maintenance Kit
5026.0123.00	LW Unloader Maintenance Kit
5026.0130.00	LW Unloader Rebuild Kit

Seal / Packing Replacement



AXD

LW

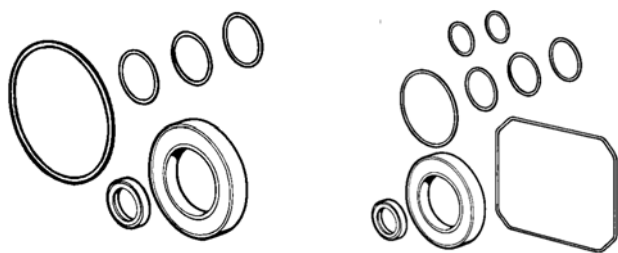
ZWD

FW/HW

Part #	Description
5026.0265.00	VRX, Piston Seal Kit, 1700 PSI
5026.0256.00	VRX, Piston Seal Kit, 2200+ PSI
5019.0667.00	BXD Gas, Seal Kit, Water
5019.0671.00	BXD Elect., Seal Kit, Water
5019.0077.00	AXD/AXS Seal Kit 2,000 psi
5019.0078.00	AXD Seal Kit 2,500 psi
5019.0086.00	AXD Seal Kit 3,000 psi
5019.0686.00	BWD, AWD Seal Kit
5019.0035.00	LW Seal Kit, 15mm
5019.0037.00	LW Seal Kit, 18mm
5019.0064.00	ZWD Seal Kit, 15mm
5019.0038.00	FW Seal Kit, 18mm
5019.0039.00	FW Seal Kit, 20mm
5019.0631.00	HW Seal Kit, 18mm
5019.0673.00	RW Seal Kit 18mm, Water
5019.0672.00	RW Seal Kit 20mm, Water
5019.0648.00	SW Seal Kit 20mm, Water
5019.0645.00	TW Seal Kit 18mm, Water
5019.0646.00	TW Seal Kit 22mm, Water
5019.0647.00	TW Seal Kit 25mm, Water

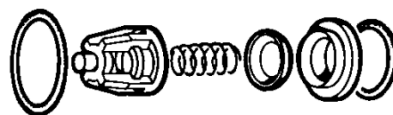
*Brass Not Included

Oil Seal Replacement



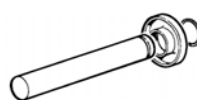
Part #	Description
5019.0659.00	GXD Seal Kit
5019.0079.00	AX/AXS Oil Seal Kit
5019.0685.00	BW Oil Seal Kit
5019.0687.00	AW Oil Seal Kit
5019.0040.00	LW/ZW Oil Seal Kit Solid Shaft
5019.0044.00	FW, HW, HWS Kit Solid Shaft
5019.0041.00	LW Oil Seal Kit Hollow Shaft
5019.0065.00	ZWD Oil Seal Kit Hollow Shaft
5019.0043.00	FWS Oil Seal Kit Hollow Shaft
5019.0045.00	FW/HWD Oil Seal Kit Hollow Shaft
5019.0650.00	SW Seal Kit
5019.0644.00	TW Seal Kit, Oil (Up to 3600PSI)
5019.0649.00	TW Seal Kit, Oil (4000+ PSI)
5019.0675.00	RW Oil Seal Kit, Solid Shaft
5019.0679.00	RW Oil Seal Kit, Hollow Shaft

Check Valve Replacement



Part #	Description
5026.0257.00	VRX Check Valve Kit, 2200 PSI
5026.0263.00	VRX Check Valve Kit, 1700 PSI
5026.0270.00	VRX Check Valve Kit, 2400+ PSI
5025.0014.00	AXD/AXS & GXD Check Valve Kit
5025.0027.00	Check Valve Kit, BXD
5025.0030.00	Valve Kit, BWD & AWD
5025.0011.00	For LW, ZW, FW, HW & SW
5025.0020.00	TW Valve Kit Up to 3600 PSI
5025.0021.00	TW Valve Kit (4000+ PSI)
5025.0025.00	Valve Kit, High Flow, 5+ GPM

Piston Replacement



AXD



LW, ZWD, FW, HW

Part #	Description
5026.0260.00	VRX, Piston Seal Kit, All VRX's
2409.0126.00	GXD Piston Kit
2409.0092.00	AXD/AXS Piston Kit
2409.0103.00	AXD Piston Kit 3,000 psi
2409.0071.00	LW/ZWD Piston Kit, 15mm
2409.0072.00	LW Piston Kit, 18mm
2409.0073.00	FW/HW Piston Kit, 18mm
2409.0074.00	FW/SW Piston Kit, 20mm
2409.0146.00	RW Piston Kit, 18mm
2409.0145.00	RW Piston Kit, 20mm
2409.0116.00	TW Piston Kit 18mm
2409.0114.00	TW Piston Kit 22mm
2409.0115.00	TW Piston Kit 25mm

Hot Water

- Hot water seal protection
- LW, ZW, FW & HW Series Pumps
- Contains Hot Water Seals only
- Viton Seals are Chemically Resistant

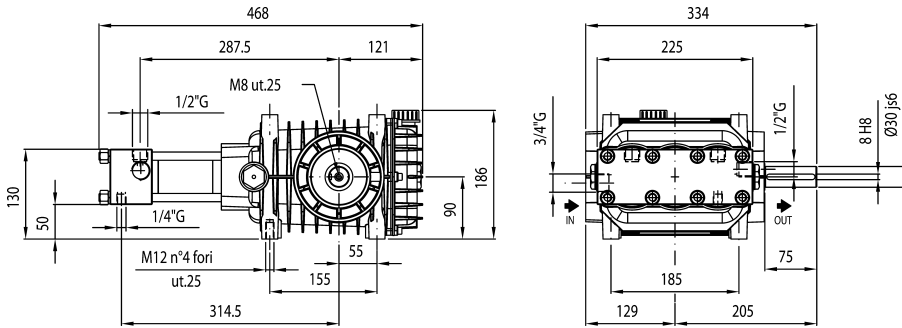
Part #	Description
5019.0048.00	LW, ZW, Hot Water Seal Kit, 15mm
5019.0049.00	LW, HW-Requires 2, Hot Water, 18mm
5019.0050.00	LW, Viton Seal Kit, 18mm
5019.0051.00	LW, ZW, Viton Seal Kit, 15mm
5019.0053.00	FW, Hot Water Seal Kit, 18mm
5019.0054.00	FW, HW Hot Water Seal Kit 20mm
5019.0676.00	RW Hot Water Seal Kit, 20mm
5019.0674.00	RW Kevlar Seal Kit, 20mm
5019.0665.00	SW Kevlar Seal Kit 20mm
5019.0670.00	SW Hot Water Seal Kit, 20mm
5019.0653.00	TW Packing Kit 18mm
5019.0654.00	TW Packing Kit 22mm
5019.0655.00	TW Packing Kit 25mm
5019.0662.00	TW Seal Kevlar Kit 22mm
5019.0663.00	TW Seal Kevlar Kit 25mm

CH Series

HPP Industrial Pumps



- Anodized Aluminum Crankcase
- Stainless Steel Manifold
- Hardened Crankshaft
- Aluminum Connecting Rods
- Ceramic Plungers
- Stainless Steel Valves
- V-Packing Seal Design-Buna N
- Stainless Steel Piston Guides
- Long Life Bearings
- 3/4" Inlet; 1/2" Outlet
- 30mm Shaft



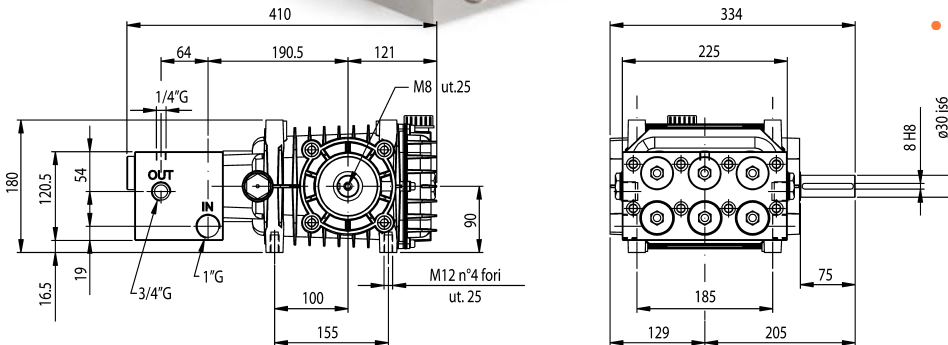
PART #	MODEL #	GPM	PSI	RPM	HP	WT	OIL (OZ)
6916.0003.00	CH 31/300	8.2	4350	1450	25	64	84
6916.0005.00	CH 22/400	5.8	5800	1000	24	64	84
6916.0004.00	CH 18/500	4.7	7250	1000	24	64	84
6916.0002.00	CH 25/500	6.6	7250	1450	33	64	84

CL Series

HPP Industrial Pumps



- Anodized Aluminum Crankcase
- Stainless Steel Manifold
- Hardened Crankshaft
- Aluminum Connecting Rods
- Ceramic Plungers
- Polymide Valves
- V-Packing Seal Design-Buna N
- Stainless Steel Piston Guides
- Long Life Bearings
- 1" Inlet; 3/4" Outlet
- 30mm Shaft



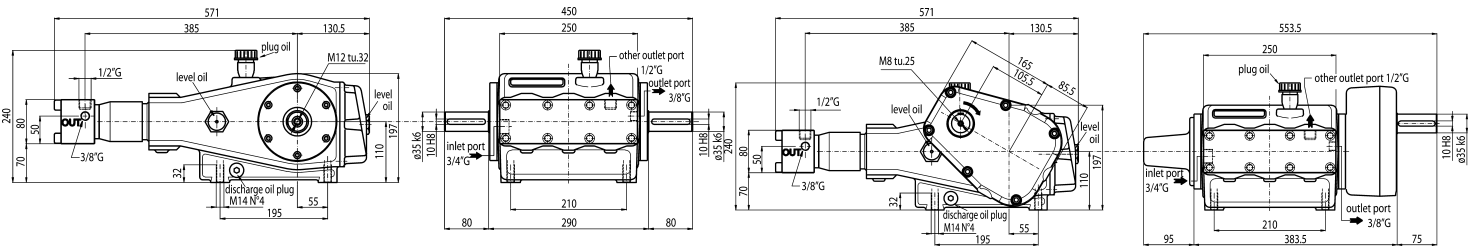
PART #	MODEL #	GPM	PSI	RPM	HP	WT	OIL (OZ)
6915.0003.00	CL 70/130	18.5	1885	1450	24	75	84
6915.0002.00	CL 66/140	17.4	2030	1000	25	75	84
6915.0001.00	CL 49/200	12.9	2900	1000	26	75	84

ELH/R Series

HPP Industrial Pumps



- Cast Iron Crankcase
- Stainless Steel Manifold
- Hardened Crankshaft
- Cast Iron Connecting Rods
- Ceramic Plungers
- Stainless Steel Valves
- V-Packing Seal Design-Buna N
- Stainless Steel Piston Guides
- Long Life Bearings
- 3/4" Inlet; 3/8" Outlet
- 35mm Shaft



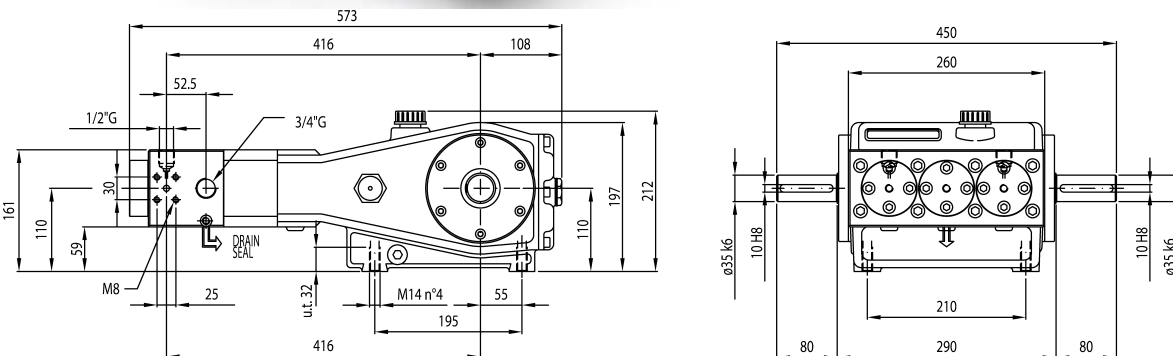
PART #	MODEL #	GPM	PSI	RPM	HP	WT	OIL (OZ)
6917.0001.00	ELH 38/500	10	7258	1000	49	150	142
6917.0002.00	ELHR 38/500	10	7258	1500	49	187	152
6917.0003.00	ELHR 38/500	10	7258	1900	49	187	152

EV Series

HPP Industrial Pumps



- Cast Iron Crankcase
- Stainless Steel Manifold
- Hardened Crankshaft
- Cast Iron Connecting Rods
- Ceramic Plungers
- Stainless Steel Valves
- V-Packing Seal Design-Buna N
- Stainless Steel Piston Guides
- Long Life Bearings
- 3/4" Inlet; 1/2" Outlet
- 35mm Shaft



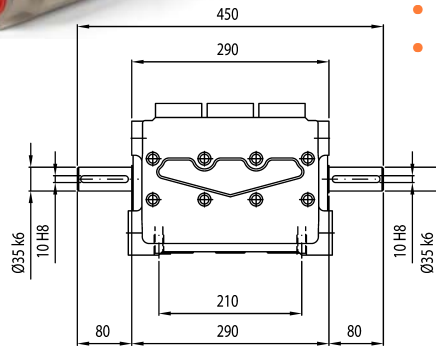
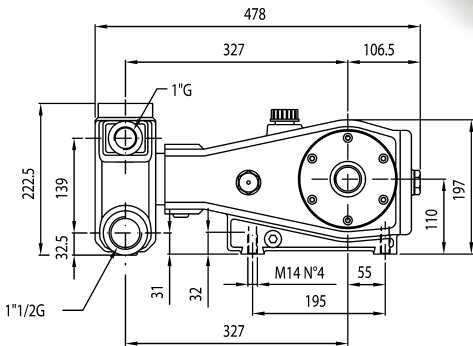
PART #	MODEL #	GPM	PSI	RPM	HP	WT	OIL (OZ)
6912.0002.00	EV 19/800	4.9	11,600	900	40	198	142
6912.0001.00	EV 15/1000	3.9	14,500	730	40	198	142

EL Series

HPP Industrial Pumps



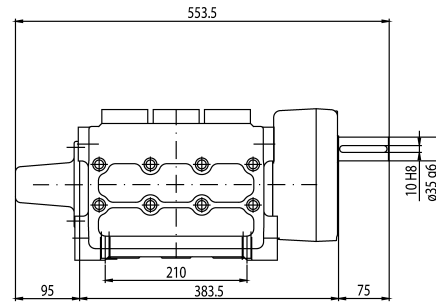
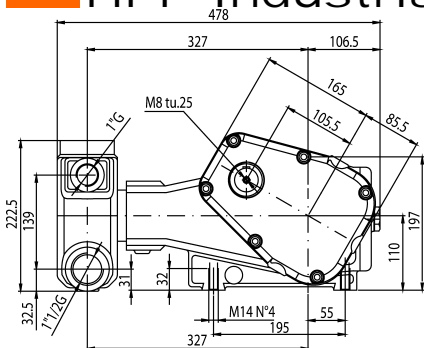
- Cast Iron Crankcase
- Chemically Resistant Coated Cast Iron Manifold
- Hardened Crankshaft
- Cast Iron Connecting Rods
- Ceramic Plungers
- Stainless Steel Valves
- V-Packing Seal Design-Buna N
- Stainless Steel Piston Guides
- Long Life Bearings
- 1-1/2" Inlet; 1" Outlet
- 35mm Shaft



PART #	MODEL #	GPM	PSI	RPM	HP	WT	OIL (OZ)
6905.0005.00	EL 164/90	43.3	1305	700	40	194	142
6905.0004.00	EL 152/100	40.1	1450	800	40	194	142
6905.0003.00	EL 128/120	33.8	1740	850	40	194	142
6905.0002.00	EL 122/130	32.2	1885	1000	43	194	142
6905.0001.00	EL 102/160	27.0	2320	1000	43	194	142
6905.0006.00	EL 84/190	22.2	2755	1000	43	194	142

ELR Series

HPP Industrial Pumps



PART #	MODEL #	GPM	PSI	RPM	HP	WT	OIL (OZ)
6908.0005.00	ELR 164/90	43.3	1305	1050	40	194	142
6908.0004.00	ELR 152/100	40.1	1450	1200	40	194	142
6908.0003.00	ELR 128/120	33.8	1740	1275	40	194	142
6908.0002.00	ELR 122/130	32.2	1885	1500	43	194	142
6908.0001.00	ELR 102/160	27.0	2320	1500	43	194	142
6908.0006.00	ELR 84/190	22.2	2755	1500	43	194	142

PART #	MODEL #	GPM	PSI	RPM	HP	WT	OIL (OZ)
6908.0011.00	ELR 164/90	43.3	1305	1330	40	194	142
6908.0010.00	ELR 152/100	40.1	1450	1520	40	194	142
6908.0009.00	ELR 128/120	33.8	1740	1615	40	194	142
6908.0008.00	ELR 122/130	32.2	1885	1900	43	194	142
6908.0007.00	ELR 102/160	27.0	2320	1900	43	194	142
6908.0012.00	ELR 84/190	22.2	2755	1900	43	194	142

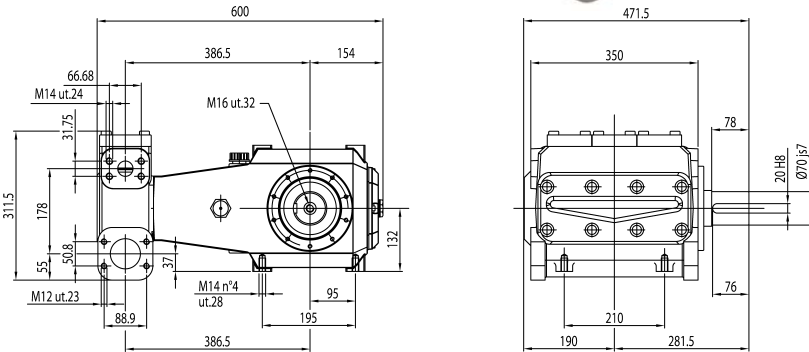
GL Series

HPP Industrial Pumps



*Gearbox not included

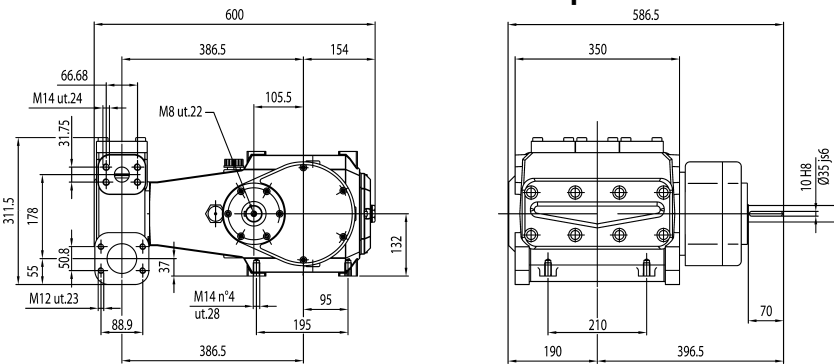
- Cast Iron Crankcase
- Chemically Resistant Coated Cast Iron Manifold
- Hardened Crankshaft
- Cast Iron Connecting Rods
- Ceramic Plungers
- Stainless Steel Valves
- V-Packing Seal Design-Buna N
- Stainless Steel Piston Guides
- Long Life Bearings
- 2-1/2" Inlet; 1-1/4" Outlet
- 70mm Shaft
- 35mm Shaft with Gear Box



PART #	MODEL #	GPM	PSI	RPM	HP	WT (lbs.)	OIL (OZ)
6911.0006.00	GL 256/125	67.6	1813	750	85	330	338
6911.0005.00	GL 212/150	56.1	2175	750	85	330	338
6911.0004.00	GL 171/185	45.2	2683	750	85	330	338
6911.0003.00	GL 135/235	35.7	3408	750	85	330	338
6911.0002.00	GL 109/290	28.8	4205	750	84	330	338

GLR Series

HPP Industrial Pumps



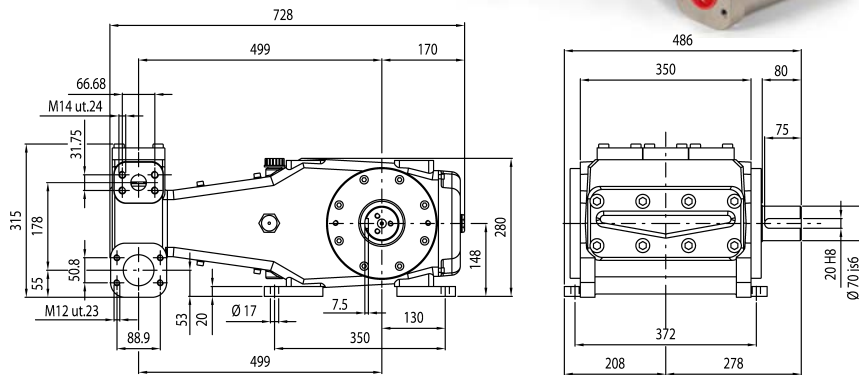
PART #	MODEL #	GPM	PSI	R=2.03	RPM	HP	WT (lbs.)	OIL (OZ)
6911.0012.00	GLR 256/125	67.6	1813	1500	750	85	385	372
6911.0011.00	GLR 212/150	56.1	2175	1500	750	85	385	372
6911.0010.00	GLR 171/185	45.2	2683	1500	750	85	385	372
6911.0009.00	GLR 135/235	35.7	3408	1500	750	85	385	372
6911.0008.00	GLR 109/290	28.8	4205	1500	750	84	385	372

PART #	MODEL #	GPM	PSI	R=2.41	RPM	HP	Wt (lbs.)	OIL (OZ)
6911.0018.00	GLR 256/125	67.6	1813	1800	750	85	385	372
6911.0017.00	GLR 212/150	56.1	2175	1800	750	85	385	372
6911.0016.00	GLR 171/185	45.2	2683	1800	750	85	385	372
6911.0015.00	GLR 135/235	35.7	3408	1800	750	85	385	372
6911.0014.00	GLR 109/290	28.8	4205	1800	750	84	385	372

SL Series

HPP Industrial Pumps

*Gearbox not included

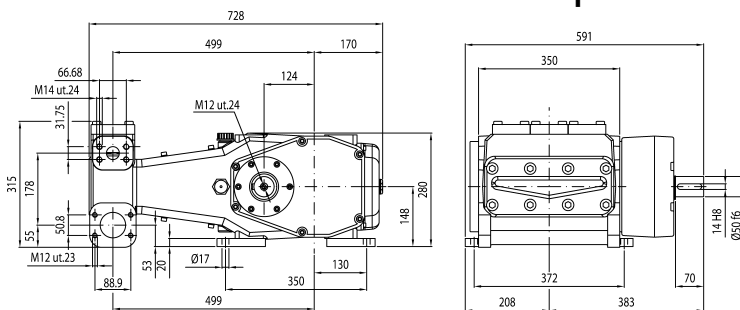


- Cast Iron Crankcase
- Chemically Resistant Coated Cast Iron Manifold
- Hardened Crankshaft
- Cast Iron Connecting Rods
- Ceramic Plungers
- Stainless Steel Valves
- V-Packing Seal Design-Buna N
- Stainless Steel Piston Guides
- Long Life Bearings
- 2-1/2" Inlet; 1-1/4" Outlet
- 70mm Shaft
- 50mm Shaft with Gear Box

PART #	MODEL #	GPM	PSI	RPM	HP	WT (lbs.)	OIL (OZ)
6909.0005.00	SL 316/130	83.4	1885	750	110	517	304
6909.0004.00	SL 263/160	70.0	2320	750	110	517	304
6909.0003.00	SL 212/200	56.0	2900	750	110	517	304
6909.0002.00	SL 167/250	44.1	3625	750	110	517	304
6909.0001.00	SL 135/300	35.6	4350	750	110	517	304

SLR Series

HPP Industrial Pumps



PART #	MODEL #	GPM	PSI	INPUT PUMP		HP	WT (lbs.)	OIL (OZ)
				R=2.03	RPM			
6909.0010.00	SLR 316/130	83.4	1885	1500	750	110	594	338
6909.0009.00	SLR 263/160	70.0	2320	1500	750	110	594	338
6909.0008.00	SLR 212/200	56.0	2900	1500	750	110	594	338
6909.0007.00	SLR 167/250	44.1	3625	1500	750	110	594	338
6909.0006.00	SLR 135/300	35.6	4350	1500	750	110	594	338

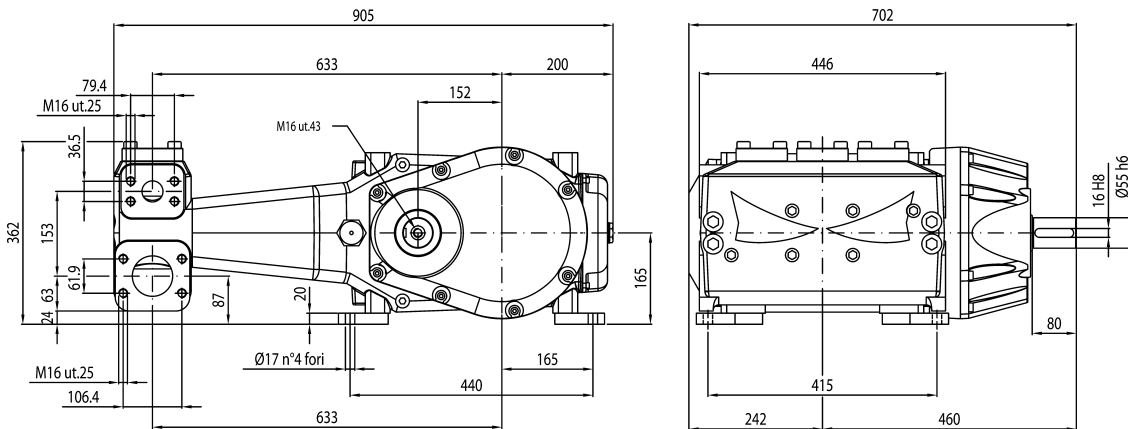
PART #	MODEL #	GPM	PSI	INPUT PUMP		HP	Wt (lbs.)	OIL (OZ)
				R=2.41	RPM			
6909.0015.00	SLR 316/130	83.4	1885	1800	750	110	594	338
6909.0014.00	SLR 263/160	70.0	2320	1800	750	110	594	338
6909.0013.00	SLR 212/200	56.0	2900	1800	750	110	594	338
6909.0012.00	SLR 167/250	44.1	3625	1800	750	110	594	338
6909.0011.00	SLR 135/300	35.6	4350	1800	750	110	594	338

MLR Series

HPP Industrial Pumps



- Cast Iron Crankcase
- Chemically Resistant Coated Cast Iron Manifold
- Hardened Crankshaft
- Cast Iron Connecting Rods
- Ceramic Plungers
- Stainless Steel Valves
- V-Packing Seal Design-Buna N
- Stainless Steel Piston Guides
- Long Life Bearings
- 3" Inlet; 1-1/2" Outlet
- 55mm Shaft



PART #	MODEL #	GPM	PSI	INPUT		PUMP		
				RPM	R=2.03	RPM	HP	WT (lbs.)
6913.0005.00	MLR 420/145	111.0	2102	1500	740	160	869	541
6913.0004.00	MLR 360/170	95.0	2465	1500	740	160	869	541
6913.0003.00	MLR 300/200	79.0	2900	1500	740	160	869	541
6913.0002.00	MLR 250/250	66.0	3625	1500	740	160	869	541

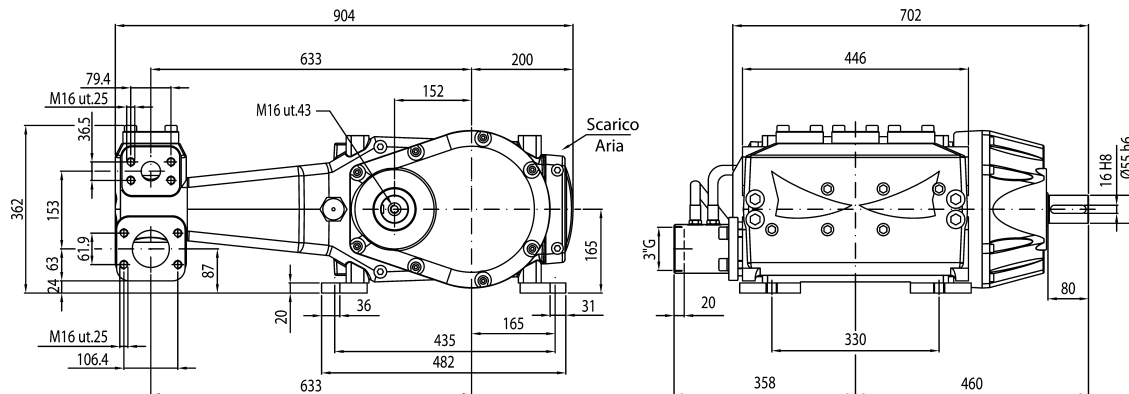
PART #	MODEL #	GPM	PSI	INPUT		PUMP		
				RPM	R=2.03	RPM	HP	WT (lbs.)
6913.0010.00	MLR 420/145	111.0	2102	1800	740	160	869	541
6913.0009.00	MLR 360/170	95.0	2465	1800	740	160	869	541
6913.0008.00	MLR 300/200	79.0	2900	1800	740	160	869	541
6913.0007.00	MLR 250/250	66.0	3625	1800	740	160	869	541

RLR Series

HPP Industrial Pumps



- Cast Iron Crankcase
- Chemically Resistant Coated Cast Iron Manifold
- Hardened Crankshaft
- Cast Iron Connecting Rods
- Ceramic Plungers
- Stainless Steel Valves
- V-Packing Seal Design-Buna N
- Stainless Steel Piston Guides
- Long Life Bearings
- 3" Inlet; 1-1/2" Outlet
- 55mm Shaft



PART #	MODEL #	GPM	PSI	INPUT		PUMP		
				R=2.03	RPM	RPM	HP	WT (lbs.)
6914.0001.00	RLR 480/145	127.0	2102	1500	740	190	891	541
6914.0002.00	RLR 420/170	111.0	2465	1500	740	190	891	541
6914.0003.00	RLR 360/200	95.0	2900	1500	740	190	891	541
6914.0004.00	RLR 300/250	79.0	3625	1500	740	190	891	541

PART #	MODEL #	GPM	PSI	INPUT		PUMP		
				R=2.03	RPM	RPM	HP	WT (lbs.)
6914.0005.00	RLR 480/145	127.0	2102	1800	740	190	891	541
6914.0006.00	RLR 420/170	111.0	2465	1800	740	190	891	541
6914.0007.00	RLR 360/200	95.0	2900	1800	740	190	891	541
6914.0008.00	RLR 300/250	79.0	3625	1800	740	190	891	541

HPP Accessories

Unloaders Valves



BP 01 BP 03 BP 04 BP 05-06 BP 07-08 BPL01

Part #	Model	GPM	PSI	Pump
1215.0482.00	BP 01	21.1	4060	CL
1215.0484.00	BP 03	52.8	2175	EL
1215.0485.00	BP 04	21.1	7250	EL-ELH
1215.0487.00	BP 05	118.8	2900	GL-SL
1215.0488.00	BP 06	118.8	4350	GL-SL-MLR-RLR
1215.0489.00	BP 07	21.1	5800	CH-EL
1215.0490.00	BP 08	21.1	7250	CH
1215.0512.00	BPL 01	52.8	2175	EL

Relief Valves



RP 01 RP 03 RP 05 RP 06 RP 07

Part #	Model	GPM	PSI	Pump
1215.0503.00	RP 01	21.1	4060	CL
1215.0505.00	RP 03	52.8	2175	EL
1215.0508.00	RP 05	7.9	29000	EV
1215.0509.00	RP 06	15.8	14500	EV
1215.0510.00	RP 07	21.1	5800	CL-EL

Safety Valves



VS 02 VS 03 S 04 VS 05 VS 06

Part #	Model	GPM	PSI	Pump
1219.2038.00	VS 02	13.2	5075	CL-CH
1219.2040.00	VS 03	52.8	2175	EL
1219.2042.00	VS 04	26.4	7250	CH-EL-ELH
1219.2044.00	VS 05	105.6	4350	GL-SL-MLR-RLR
1219.2046.00	VS 06/750	5.3	10800	EV
1219.2047.00	VS 06/1000	5.3	14500	EV
1219.2048.00	VS 06/1250	5.3	18120	EV

Pneumatic Valves



RP PN 02 RP PN 03 RP PN 03/2
RP PN 04 RP PN 05 RP PN 05/2

Part #	Model	GPM	PSI	Pump
1215.0492.00	RP PN 02	52.8	2175	CL-EL
1215.0493.00	RP PN 03	52.8	7250	CH-ELH
1215.0497.00	RP PN 03/2	52.8	2900	CL-EL
1215.0495.00	RP PN 04	84.5	4350	GL-SL-MLR-RLR
1215.0514.00	RP PN 05	84.5	4350	GL-SL-MLR-RLR
1215.0502.00	RP PN 05/2	127	2465	MLR-RLR

Non-Return Valves



VRN 01 VRN 02

Part #	Description
0608.0051.00	VRN 01, 48 GPM, 2200 PSI
0608.0052.00	VRN 02, 48 GPM, 5800 PSI

HPP Accessories

Pulsation Dampeners



AP 01 AP 02 AP 03 AP 04 AP 05 AP 06

Part #	Model	GPM	PSI	Pump
0102.0034.00	AP 01	.092	3045	CL
0102.0035.00	AP 02	.184	3045	EL
0102.0036.00	AP 03	.211	4350	GL-SL
0102.0037.00	AP 04	.264	3045	GL-SL
0102.0038.00	AP 05	.369	3045	GL-SL-MLR-RLR
0102.0039.00	AP 06	.369	4350	GL-SL-MLR-RLR

Gauges



MA 01-05 MA 06-07 MA 08

Part #	Description
1816.0140.00	MA 01, 2.5" Dia, 3625 PSI
1816.0141.00	MA 02, 2.5" Dia, 4568 PSI
1816.0142.00	MA 03, 2.5" Dia., 5800 PSI
1816.0143.00	MA 04, 2.5" Dia, 8700 PSI
1816.0144.00	MA 05, 2.5" Dia., 14500 PSI
1816.0145.00	MA 06, 4" Dia, 8700 PSI
1816.0146.00	MA 07, 4" Dia., 14500 PSI
1816.0147.00	MA 08, 4" Dia, 23200 PSI

Filters



FP 01 FP 02 FP 05 FP 06 FA 01 FA 02 FA 03

Part #	Model	GPM	PSI	Material
1002.0201.00	FP 01	18.5	174	Plastic
1002.0202.00	FP 02	29	174	Plastic
1002.0208.00	FP 05	53	116	Plastic
1002.0209.00	FP 06	106	116	Plastic
1002.0205.00	FA 01	40	435	Aluminum
1002.0206.00	FA 02	69	145	Aluminum
1002.0207.00	FA 03	7.9	145	Stainless Steel

Gun/Lances Assemblies



LC 01-04 LC 06

Part #	Model	GPM	PSI	Length
3301.1188.00	LC 01	53.1	2900	16"
3301.1189.00	LC 02	53.1	2900	31.5"
3301.1190.00	LC 03	21.1	7250	16"
3301.1191.00	LC 04	21.1	7250	31.5"
3301.1192.00	LC 06	21	14500	43.5"

Foot Valve



VP 01

Part #	Model	GPM	PSI
0608.0056.00	VP 01	16	14500

Accessories

ANTI-FREEZE - Pump Saver



- Protects Pump from Freezing in Winter
- Attaches to any Pump Inlet to Fill Pump Chamber

Part #	Description
8102.5000.00	Pump Saver

BRUSH - Rotating



- 580 PSI
- 140° F Max
- 3.0mm Nozzle
- 1/4" M Inlet



Part #	Description
8108.9152.00	Brush, Nylon Bristles MV #0201000001
8108.8300.00	Brush, Horse Hair Bristles MV #0201000011
8108.3303.00	Brush, w/Joint, Nylon Bristles MV #0201000002
8108.3304.00	Brush, w/Joint, Horse Hair Bristles MV #0201000012

BURNER RINGS



- Cast Iron for Long Life
- High-Flow Design
- Industry Standard Sizes
- New & Improved Casting Design

Part #	Description
8102.0103.00	32-52 Burner Ring, 52-Orifice
8102.0122.00	44-50 Burner Ring, 50-Orifice
8102.0123.00	44-51 Burner Ring, 51-Orifice
8102.0124.00	44-52 Burner Ring, 52-Orifice
8102.0125.00*	44-53 Burner Ring, 53-Orifice
8102.0126.00	44-54 Burner Ring, 54-Orifice
8102.0127.00*	44-55 Burner Ring, 55-Orifice
8102.0128.00	44-56 Burner Ring, 56-Orifice
8102.0129.00*	44-57 Burner Ring, 57-Orifice
8102.0130.00*	44-58 Burner Ring, 58-Orifice
8102.0131.00*	44-59 Burner Ring, 59-Orifice
8102.0132.00	44-60 Burner Ring, 60-Orifice
8102.0133.00*	44-61 Burner Ring, 61-Orifice
8102.0134.00	44-62 Burner Ring, 62-Orifice
8102.0135.00	44-63 Burner Ring, 63-Orifice
8102.0136.00	44-64 Burner Ring, 64-Orifice
8102.0137.00	44-65 Burner Ring, 65-Orifice
8102.0138.00	44-66 Burner Ring, 66-Orifice
8102.0139.00	44-67 Burner Ring, 67-Orifice
8102.0140.00	44-68 Burner Ring, 68-Orifice
8102.0141.00	44-69 Burner Ring, 69-Orifice
8102.0100.00	Replacement Nozzle

*Non-stocked sizes

+32-Nozzle & 88-Nozzle burners upon request

CARTS - Pressure Washer



- Durable Powder Coat
- Pneumatic Wheels
- Nickel Axle Caps
- Rubber Foot Pads
- Rubber Nozzle Grommets
- Heavy-Duty Welded Steel Frame Cart
- 3/4" Axle

Part #	Description
8402.0201.00	Cart, 10" Wheels Up to 6.5 HP Gas Engine or 56C Electric Motor Base Dimensions: 14.5" x 14.5"

CARTS - Components



Part #	Description	Style
8102.0202.01	Knuckle & Bolt for cart	G
	8102.0202.60	
8402.0264.00	Knuckle & Bolt for cart	H
	8402.0201.00	
8102.0250.00	10" Pneumatic Wheel w/ 3/4" Industrial Duty Nylon Bearing	A
8402.0257.00	10" Pneumatic Wheel w/ 5/8" Industrial Duty Nylon Bearing	A
8102.0251.00	13" Pneumatic Wheel w/ 3/4" Industrial Duty Nylon Bearing	B
8102.0252.00	10" Foam Filled Tire	C
8102.0260.00	Rubber Grommet Spray Tip Holder	E
8102.0261.00	Rubber Foot w/Hardware	D
8102.0263.00	Nickel Plated Axle Cap, 5/8"	F
8102.0264.00	Nickel Plated Axle Cap, 3/4"	F

CARTS - Components



4" Pulley



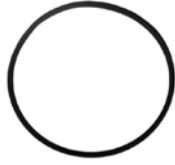
1" Bushing



24mm Bushing



9" Pulley



Belt

Part #	Description
8102.0270.00	4" Pulley
8102.0271.00	24mm Bushing
8102.0272.00	1" Bushing
8102.0276.00	9" Pulley
8102.0274.00	40" Belt B-Style
8102.0275.00	Pulley & Belt Assembly Kit

[Includes all of the above, 2 belts, 2 bolts]

CLUTCH



- 12 Volt
- 101 Nm of Torque
- 75 Lb.-Ft.
- 3.9 Amps



A



B

Part #	Description
8201.0000.00	Clutch, Single Groove
7600.0100.00	Plate, 2-1/2" Dia. A
	For Pump Models FW, HW, RW, SW & TW
7600.0101.00	Plate, 1-1/2" Dia. B
	For Pump Models LW & ZW

COUPLERS - Insulated



- 212°F
- 10 GPM
- 5000 PSI



Part #	Description
8402.1301.00	Coupler, 1/4" Insulated FPT
8402.1302.00	Coupler, 1/4" Insulated MPT
8402.1303.00	Coupler, 3/8" Insulated FPT
8402.1304.00	Coupler, 3/8" Insulated MPT

COUPLERS - QC Sockets



- Ball Bearing Snap Connection
- Precision Machined Parts
- Click Lock Design
- 5000 PSI - 1/4"
- 4000 PSI - 3/8" & 1/2"
- Box Qty 100 (1/4" & 3/8")
- Box Qty 50 (1/2")

Brass Sockets

Part #	Description
8102.0301.00	Brass Socket, 1/4" FPT
8102.0302.00	Brass Socket, 3/8" FPT
8102.0303.00	Brass Socket, 1/4" MPT
8102.0304.00	Brass Socket, 3/8" MPT
8102.0356.00	Brass Socket, 1/2" MPT
8102.0357.00	Brass Socket, 1/2" FPT

Brass Sockets w/ Stainless Collar

Part #	Description
8102.0307.00	Socket, 1/4" MPT w/ Stainless Collar
8102.0308.00	Socket, 3/8" MPT w/ Stainless Collar

Zinc Plated Steel Sockets

Part #	Description
8102.0313.00	Zinc Socket, 1/4" FPT
8102.0314.00	Zinc Socket, 3/8" FPT
8102.0317.00	Zinc Socket, 1/4" MPT
8102.0318.00	Zinc Socket, 3/8" MPT

Stainless Steel Sockets-5000 PSI

Part #	Description
8102.0309.00	Stainless Steel Socket, 1/4" FPT
8102.0310.00	Stainless Steel Socket, 3/8" FPT
8102.0311.00	Stainless Steel Socket, 1/4" MPT
8102.0312.00	Stainless Steel Socket, 3/8" MPT

O-RINGS - Replacement

Part #	Description
8102.0301.01	"O" Ring for 1/4" Couplers
8102.0302.01	"O" Ring for 3/8" Couplers
8102.0301.02	Viton "O" Ring for 1/4" Couplers
8102.0302.02	Viton "O" Ring for 3/8" Couplers

COUPLERS - QC Plugs



- Industrial Grade Steel
- Precision Machined Parts
- 5000 PSI - 1/4"
- 4000 PSI - 3/8" & 1/2"
- Box Qty 100

Brass Plugs

Part #	Description
8102.0350.00	Brass Plug, 1/4" FPT
8102.0351.00	Brass Plug, 1/4" MPT
8102.0352.00	Brass Plug, 3/8" FPT
8102.0353.00	Brass Plug, 3/8" MPT
8102.0360.00	Brass Plug, 1/8" MPT
8102.0361.00	Brass Plug, 1/8" FPT
8102.0362.00	Brass Plug, 1/2" MPT
8102.0363.00	Brass Plug, 1/2" FPT

ST-N2 Steel Plugs

Part #	Description
8102.0320.00	Steel Plug, 1/4" FPT
8102.0321.00	Steel Plug, 1/4" MPT
8102.0322.00	Steel Plug, 3/8" FPT
8102.0323.00	Steel Plug, 3/8" MPT
8102.0354.00	Steel Plug, 1/2" MPT
8102.0355.00	Steel Plug, 1/2" FPT

Hardened Steel Plugs

Part #	Description
8102.0324.00	Hardened Steel Plug, 1/4" FPT
8102.0325.00	Hardened Steel Plug, 1/4" MPT
8102.0326.00	Hardened Steel Plug, 3/8" FPT
8102.0327.00	Hardened Steel Plug, 3/8" MPT
8102.0358.00	Hardened Steel Plug, 1/8" FPT

Stainless Steel Plugs-5000 PSI

Part #	Description
8102.0328.00	Stainless Steel Plug, 1/4" FPT
8102.0329.00	Stainless Steel plug, 1/4" MPT
8102.0330.00	Stainless Steel Plug, 3/8" FPT
8102.0331.00	Stainless Steel Plug, 3/8" MPT

COUPLERS - Swivel, NPT



- 11 GPM
- 3200 PSI
- 300° F

Part #	Description
8108.9126.00	Coupler, 3/8" MPT x 3/8" FPT MV #0212006010

COUPLERS - Swivel, M22



- 10.6 GPM
- 4060 PSI
- 300° F

Part #	Description
8108.9157.00	Body G 1/4" M MV #0212000050
8108.9156.00	Body G 1/4" F MV #0212000030
8108.7012.00	Body G 3/8" M MV #0212000040
8108.8019.00	Body G 3/8" F MV #0212000020
8108.9124.00	Plug G 1/4" M MV #0212000150
8108.7013.00	Plug G 1/4" F MV #0212000130
8108.7015.00	Plug G 3/8" M MV #0212000140
8108.7014.00	Plug G 3/8" F MV #0212000120

COUPLERS - Twist Connect-M22



- 4060 PSI
- 300° F



- 8 GPM

- 10.6 GPM

Part #	Description
8108.9125.00	Body, 1/4" x M22F MV #0212003530
8108.8302.00	Body, 1/4" x M22F MV #0212003550
8108.7004.00	Body, 3/8" x M22F MV #0212003520
8108.8301.00	Body, 3/8" x M22F MV #0212003540
8108.8303.00	Plug, 1/4" x M22F MV #0212003630
8108.7005.00	Plug, 1/4" x M22F MV #0212003650
8108.7006.00	Plug, 3/8" x M22F MV #0212003620
8108.7007.00	Plug, 3/8" x M22F MV #0212003640

COUPLERS - Twist Connect-M22

- Secure Twist Connection
- Precision Machined
- 4000 PSI
- 10 GPM
- Box Qty 100

Part #	Description
8102.6000.00	Body, 1/4" FPT x M22F, Brass A
8102.6001.00	Body, 3/8" FPT x M22F, Zinc C
8102.6020.00	Body, 1/4" MPT x M22F Brass B
8102.8521.00	Body, 3/8" MPT x M22F Brass D
8102.6002.00	Plug, 1/4" FPT x M22M E
8102.6003.00	Plug, 3/8" FPT x M22M G
8102.6004.00	Plug, 1/4" MPT x M22M F
8102.6005.00	Plug, 3/8" MPT x M22M H
8102.6000.01	O-ring, Twist Connect

COUPLERS - Twist Connect/QC

- Adapts from QC to M22 Twist Connect
- 4000 PSI
- Box Qty 100

Part #	Description
8102.8518.00	3/8" QC Socket X M22M
8102.8519.00	3/8" QC Plug x M22F

COUPLING - Ball Quick Coupling

- 12 GPM
- 3600 PSI
- 300° F

Part #	Description
8108.8304.00	Coupler, G 1/4" M MV #0212006150
8402.1677.00	Plug, G 1/4" F

ENGINE KEYS

- Keys for All Common Engine shafts
- Fits 1" & 3/4" shafts

Part #	Description
8102.2800.00	Engine Shaft Key-3/4" Solid Shaft
8102.2801.00	Engine Shaft Key-1" Solid Shaft

FILTER/HOSE ASSEMBLY

- Industrial Duty Hose
- Chemical Filter with Check Valve

Part #	Description
8102.3000.00	Chemical Hose Assembly, 3 ft.
8102.3002.00	Chemical Hose Assembly, 4 ft.
8102.3001.00	Chemical Hose Assembly, 6 ft.

FILTERS - Canister

- Polycarbonate
- 145 PSI
- 1" (F x F) Connection
- Uses 9-3/4" Filters

Part #	Description
8402.0430.00	Polycarbonate Housing
8402.0431.00	Filter, Plastic, 60 Microns, 10"
8402.0432.00	Filter, Carbon Block, 5 Microns

FILTERS - Chemical Suction

• 20 • 50 • 50
Box Qty

Part #	Description	Style
8402.2005.00	Chemical Strainer--with Check	A
8108.7018.00	Chemical Strainer--with Ballast	B
8107.2006.00	Chemical Strainer--w/o Check	C
8108.9119.00	Intake Strainer, MV 15 MV #0211000120	D
8108.9118.00	Intake Strainer, MV 16 w/Check E MV #0211000110	

FILTERS - High Pressure

- 8 GPM
- Max PSI 5000
- Max Temp 200°
- Stainless w/Brass Insert
- 80 Mesh

Part #	Description
8402.0335.00	Filter 1/4" FPT x 1/4" MPT
8402.0334.00	Filter QC x 1/4" MPT

FILTERS - Inlet



A



B

- Bypass Port
- 1/2" F x 1/2" M
- Replaceable Screen
- 60 Mesh Cuffed Screen

Part #	Description
8402.0410.00	Inlet Filter, Alum. Body B
8402.0411.00	Replacement Blue Cap only for 8402.0410.00
8402.0412.00	Replacement Screen only for 8402.0410.00
8102.0401.00	Inlet Filter, Black Alum. Body w/ Garden Hose Adaptor A
8102.0423.00	Replacement Blue Cap only for 8102.0401.00
8102.0421.00	Replacement Screen only for 8102.0401.00

FILTERS - Inlet, Clear



***Patent Pending**



- 8.0 GPM
- 160 PSI
- 175° F
- 3/4" FGH Inlet

Part #	Description
8102.0460.00	Filter, 1/2" Outlet
8102.0461.00	Filter, 1/2" Outlet, 1/4" By-Pass
8102.0460.01	Replacement Sleeve
8102.0460.02	Replacement O-Ring

FILTERS - Strainer MV 18



- 8 GPM
- 145 PSI
- 140° F
- 50 Mesh

Part #	Description
8108.7016.00	1/2" F x 1/2" M x 1/4" F By-Pass MV #0211001080
8108.7011.00	1/2" F x 1/2" M, No By-Pass MV #0211001090
1002.0110.00	1/2" F x 1/2" F, No By-Pass  MV #0211001100
8108.7017.00	Cap  MV #0103740020

FILTERS - Tank Suction



- Straining Power
400 Microns

Part #	Description
8402.0440.00	Tank Suction Filter
8402.0441.00	Tank Suction Filter w/check

FILTERS - Y Intake Strainers



- 50 Mesh SS. Screen
- Brass Body
- 290 PSI
- 210° F

Part #	Description
8107.2011.00	1/2" F x 1/2" F MV #0211000520
8107.2012.00	3/4" F x 3/4" F MV #0211000530
8107.2013.00	1" F x 1" F MV #0211000540

FITTING KIT - Bayonet Style



- 2000 PSI
- 8 GPM
- 140° F
- 1/4" FNPT
- Brass Fittings

Part #	Description
8102.0600.00	Fitting Kit, 5 Pack

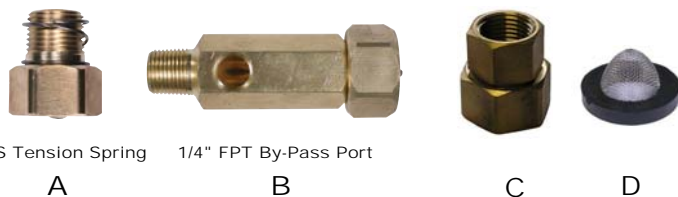
FITTINGS - Brass, Misc.



- Solid Brass Fittings
- Precision Machined Parts
- Industrial Grade
- 4000 PSI
- Box Qty 100

Part #	Description
8102.0503.00	Street Elbow, 1/4" M x 1/4" F
8102.0504.00	Street Elbow, 3/8" M x 3/8" F
8102.0509.00	Elbow, 3/8" MNPT x 1/4" FNPT
8107.0508.00	Street Elbow, 1/2" M x 1/2" F
8102.0502.00	Tee, 3/8" F x 3/8" F x 3/8" F
8102.0505.00	Hex Nipple, 3/8" MPT x 3/8" MPT
8102.6011.00	Hex Nipple, 1/2" MPT x 1/2" MPT
8116.0005.00	Nipple, M22M x 1/2" BSP
8102.0506.00	Hex Bushing, 1/2" M x 3/8" F
8102.6012.00	Reducer, 3/8" F x 1/4" M
8102.6014.00	Coupling, 3/8" F x 3/8" F
8102.0507.00	Hose Barb, 1/4" MPT x 3/8" Barb
8102.0508.00	Hose Barb, 3/8" MPT x 3/8" Barb
8102.8502.00	Fitting, 1/2" MGH

FITTINGS - Garden Hose

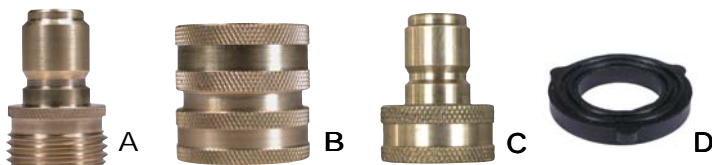


SS Tension Spring 1/4" FPT By-Pass Port

- Solid brass fittings
- Precision threads

Part #	Description	
8105.0500.00	1/2" MPT x FGH	B
8105.0501.00	3/8" MPT x FGH	B
8105.0502.00	1/2" FPT x FGH	C
8105.0600.00	3/8" MPT x FGH	A
8105.0601.00	1/2" MPT x FGH	A
8102.0450.00	Filter Washer for GH Adapter	D

FITTINGS - QC Garden Hose



- Solid Brass Fittings
- Precision Threads
- Box Qty 100

Part #	Description	
8102.0335.00	Plug, Brass, 1/2" QC x MGH	A
8102.0336.00	Coupler, Brass, 1/2" QC x FGH	B
8102.0337.00	Garden Hose QC Set	
8102.0338.00	Plug, Brass, 3/4" FBSP	C
8102.0451.00	Washer, Garden Hose	D

FLOAT TANK & VALVES



- Box Qty 25

- 0.8 Gallon Tank
- Tank includes Lid
- Valves, 105 PSI
- 140° F Max.



- Box Qty 50



- Box Qty 10

Part #	Description	
8107.2602.00	Valve, Brass, 3/4", 105 PSI	A
8107.2601.00	Valve, Plastic, 3/4", 145 PSI	B
8107.2608.00	Rubber Seal for Brass Float	
8108.8015.00	Tank with Bulkhead	C
	MV #0210000010	

FLEX COUPLER - Love Joy



- Up to 35 E.B.H.P.
- Direct Drive
- Close Couple
- Electric & Gas



Part #	Description
1009.0273.00	Bell Housing
8201.0002.00	Love Joy Coupler, 24mm (Jaw)
8201.0003.00	Love Joy Coupler, 1" (Jaw)
8201.0004.00	Love Joy Coupler, 1-1/8" (Jaw)
8201.0005.00	Love Joy Coupler, 1-3/8" (Jaw)
8201.0006.00	Spider (Jaw)

FOAMER



- 1800 PSI
- 140° F
- 1/4" Female Inlet

Part #	Description
8108.2610.00	Foamer MV #0202001000

FOAMER - Professional



- 5.3 GPM @ 2900 PSI
- 140° F
- 1/4" Female Inlet

Part #	Description
8108.2611.00	Foamer MV #0202001020
8108.2611.01	Filter MV #0120720040

GAUGES - Pressure



- Glycerin Filled
- 1/4" MNPT Inlet
- 2" Diameter
- Bottom Mount

Part #	Description
8106.0613.00	Gauge, 3000 PSI, Stainless Steel
8106.0614.00	Gauge, 4000 PSI, Stainless Steel
8106.0615.00	Gauge, 6000 PSI, Stainless Steel

GAUGES - Quick Disconnect Kit



- 3/8" QD Brass Socket w/ Stainless Steel Collar
- 3/8" QD Brass Plug
- 1/4" FPT Gauge Port

Part #	Description
8102.0332.00	QD Gauge Kit Fitting
8102.0340.00	QD Gauge Kit w/4000 PSI Gauge

GEAR REDUCERS - Gas Engine



- 2.2:1 Gear Ratio
- 1" Hollow Shaft
- Helical Cut Gears
- Oil Ring Seal

Part #	Description
5005.0207.00	Gear Reducer, 1", 9-20 HP
5005.0209.00	Gear Reducer, 1-1/8", 9-20 HP
5005.0236.00	Gear Reducer, 1" Shaft, 25 HP
5005.0237.00	Gear Reducer, 1-1/8" Shaft, 25 HP

GFCI



- UL, CSA 120V/15A
- Accepts SJTW Cord

Part #	Description
0456.0116.00	GFCI, w/20' Cord
7500.0001.00	Single Plug Surge Protector (5-15R)
7500.0002.00	Plug for 12 AWG
7500.0005.00	Plug for 12, 14 & 16 AWG

GUNS - RL 84



- 21 GPM
- 8100 Max PSI
- 210° F Max
- 1/2" Inlet
- 1/2" Outlet

Part #	Description
8116.1608.00	Spray Gun, 21 GPM, 8100 PSI

RL 84 Extension



- 53 GPM
- 8100 PSI
- 230° F Max
- 1/2" Male Inlet
- 1/4" Female Outlet

Part #	Description
8116.1603.10	Lance Extension, 31.5"

GUNS - AL 50



- 12 GPM @ 5075 PSI
- 320° F
- 3/8" Inlet, Swivel
- 1/4" Outlet

Part #	Description
8108.8610.00	Spray Gun, 12 GPM @ 5075 PSI MV #0200016710
8108.8610.01	Repair Kit MV #4019900003

GUNS - MV 951



- 11 GPM @ 5075 PSI
- 300° F
- 3/8" Inlet
- 1/4" Outlet

Part #	Description
8108.1611.00	Spray Gun, 11 GPM @ 5075 PSI MV #4012206001
8108.1611.01	Repair Kit MV #0200103550

GUNS - MV 951, Weep



- 11 GPM @ 5075 PSI
- 300° F
- 3/8" Inlet
- 1/4" Outlet

Part #	Description
8108.8611.00	Spray Gun, Weep MV #4012206001
8108.8612.00	Spray Gun, Low Pressure Weep MV #4012406004

GUNS - MV 2002, Swivel



- 11 GPM @ 5075 PSI
- 320° F
- 3/8" Inlet, Swivel
- 1/4" Outlet

Part #	Description
8108.9036.00	Spray Gun, 11 GPM @ 5075 PSI MV #0200011050
8108.8604.01	Repair Kit MV #0200111000

GUNS – Free Flow



NEW

- 11 GPM @ 5075 PSI
- 300° F
- 3/8" Inlet
- 1/4" Outlet

Part #	Description
8108.1612.00	Spray Gun, Triggerless MV #4012906000

GUNS – MV 2002



- 10.6 GPM @ 5075 PSI
- 320° F
- 3/8" Inlet
- 1/4" Outlet

Part #	Description
8108.8604.00	Spray Gun, 11 GPM @ 5075 PSI MV #4012203000
8108.8604.01	Repair Kit MV #0200111000

GUNS – MV 2002, Ceramic Ball



- 10.6 GPM @ 5075 PSI
- 320° F
- 3/8" Inlet
- 1/4" Outlet

Part #	Description
8108.8608.00	Spray Gun, 10.6 GPM @ 5075 PSI MV #0200018210
8108.8608.01	Repair Kit MV #K00105011

GUNS – MV 2002, Stainless Steel



- 10.6 GPM @ 5075 PSI
- 320° F
- 3/8" Inlet
- 1/4" Outlet

Part #	Description
8108.9037.00	Spray Gun, 11 GPM @ 5075 PSI MV #0200011510
8108.8604.01	Repair Kit MV #0200111000

GUNS – MV 940



- 8 GPM @ 5075 PSI
- 300° F
- 3/8" Inlet
- 1/4" Outlet

Part #	Description
8108.9027.00	Spray Gun, 8 GPM @ 5075 PSI MV #0200003510
8108.1604.01	Repair Kit MV #0200103500

GUNS – 8050



Pure Pressure

- 8 GPM @ 5075 PSI
- 300° F Max
- 3/8" Inlet
- 1/4" Outlet

Part #	Description
8108.1604.00	Spray Gun, 8 GPM, 5075 PSI MV #0200003530
8108.1604.01	Repair Kit MV #0200103500

GUNS - MV 2001 w/Swivel



- 8 GPM @ 5075 PSI
- 320° F
- 3/8" Inlet
- 1/4" Outlet

Part #	Description
8108.9035.00	Spray Gun MV #0200010050
8108.9034.01	Repair Kit MV #0200110000

GUNS – 10050



- 10 GPM @ 5000 PSI
- 300° F
- 3/8" Inlet
- 1/4" Outlet

Part #	Description
8402.1600.00	Spray Gun

GUNS – Horizontal



- 10 GPM @ 5000 PSI
- 300° F Max Temp.
- Brass Valve Body
- 3/8" Inlet
- 1/4" Outlet

Part #	Description
8102.1606.00	Spray Gun, Horizontal

GUNS – MV 880



- 10.6 GPM @ 4500 PSI
- 300° F
- 3/8" Inlet
- 1/4" Outlet

Part #	Description
8108.1605.00	Spray Gun, 11 GPM @ 4500 PSI MV #0200008010
8108.1605.01	Repair Kit MV #0200108000

GUNS – Weep MV 890


- 9 GPM @ 4500 PSI
- 300° F
- 3/8" Inlet
- 1/4" Outlet

Part #	Description
8108.8602.00	Spray Gun, Weep MV #0200008700
8108.1603.01	Repair Kit, Standard MV #0200105000

GUNS – MV 2005


- 8 GPM @ 4000 PSI
- 320° F
- 3/8" Inlet
- 1/4" Outlet

Part #	Description
8108.1620.00	Spray Gun, 8 GPM @ 4000 PSI MV #0200007180
8108.1620.01	Repair Kit MV #0200107100

GUNS – MV 890


- 8 GPM @ 4500 PSI
- 300° F
- 3/8" Inlet
- 1/4" Outlet

Part #	Description
8108.9031.00	Spray Gun, 8 GPM @ 4500 PSI MV #0200008510
8108.1603.01	Repair Kit, Standard MV #0200105000

GUNS – MV 920, M22


- 7 GPM @ 4000 PSI
- 300° F
- M22M Inlet
- M22M Outlet

Part #	Description
8108.9033.00	Spray Gun, 7 GPM @ 4000 PSI MV #0200009330
8108.1625.01	Repair Kit MV #0200109000

GUNS – Weep MV 950


- 8 GPM @ 4500 PSI
- 300° F
- 3/8" Inlet
- 1/4" Outlet

Part #	Description
8108.9032.00	Spray Gun, 8 GPM @ 4500 PSI MV #0200008880
8108.1603.01	Repair Kit, Standard MV #0200105000

GUNS – Weep MV 920 W


- 7 GPM @ 4000 PSI
- 300° F
- 3/8" Inlet
- 1/4" Outlet

Part #	Description
8108.1625.00	Spray Gun, 7 GPM @ 4000 PSI MV #0200009190
8108.1625.01	Repair Kit MV #0200109000

GUNS – MV 920


- 7 GPM @ 4500 PSI
- 300° F
- 3/8" Inlet
- 1/4" Outlet

Part #	Description
8108.8603.00	Spray Gun, 7 GPM @ 4500 PSI MV #0200009390
8108.8003.00	Spray Gun, 7 GPM @ 4000 PSI MV #0200009010
8108.1625.01	Repair Kit MV #0200109000

GUNS – MV 2006


- 8 GPM @ 3700
- 320° F
- 3/8" Inlet
- 1/4" Outlet

Thumb wheel for high to low pressure adjustment

Part #	Description
8108.8600.00	Spray Gun, 8 GPM @ 3700 PSI MV #0200006120
8108.8600.01	Repair Kit MV #0200106110

GUNS – RL 19



- Rated Flow 53 GPM
- 3200 Max PSI
- 210° F Max
- 1/2" Inlet
- 1/2" Outlet

Part #	Description
8116.1602.00	Spray Gun, 53 GPM, 3200 PSI

GUNS – Front Entry-7027



- 7 GPM @ 3200 PSI
- 210° F
- Brass Valve Body
- 3/8" Front Inlet
- 1/4" Outlet

Part #	Description
8102.1601.00	Spray Gun, 7 GPM @ 2750 PSI
8102.1601.01	Repair Kit

GUNS – MV 960



- 7 GPM @ 2600
- 210° F
- 3/8" Inlet
- 1/4" Outlet

Part #	Description
8108.9028.00	Spray Gun, 7 GPM @ 2600 PSI MV #0200004810
8108.1601.01	Repair Kit, Standard MV #0200104000

GUNS – Front Entry-7025



- 7 GPM @ 2500 PSI
- Pure Pressure
- 210° F
- 3/8" Front Inlet
- 1/4" Outlet

Part #	Description
8108.1601.00	Spray Gun, 7 GPM @ 2500 PSI MV #0200004820
8108.1601.01	Repair Kit, Standard MV #0200104000
8108.1601.02	Repair Kit, Mini (SS Seat and O-Ring Only) MV #0200102010

GUNS – MV 910



- 5 GPM @ 2000
- 180° F
- 1/4" Inlet
- 1/4" Outlet

Part #	Description
8108.1607.00	Spray Gun, 5 GPM @ 2000 PSI MV #0200006000

GUNS – RL 124



- Rated Flow 32 GPM
- 1950 Max PSI
- 210° F Max
- 1/2" Inlet
- 1/2" Outlet

Part #	Description
8116.1609.00	Spray Gun, 32 GPM, 1950 PSI

RL 100 Extension



- 26.5 GPM
- 1950 PSI Max.
- 230° F Max
- 1/2" Male Inlet
- 1/4" Female Outlet
- Length 31.5"

Part #	Description
8116.1601.10	Lance Extension

GUN LANCE – Molded



- 10.5 GPM @ 5000 PSI
- 320° F
- 3/8" Inlet
- 22mm Outlet
- Brass Valve Body

Part #	Description
8102.1640.00	Gun Lance

GUN LANCE – Vented, MV 890



- 8 GPM @ 4500 PSI
- 300° F Max
- 3/8" Inlet
- M22F Outlet

Part #	Description
8108.9042.00	Gun Lance, 8 GPM, 4500 PSI MV #0200908530

GUN LANCE – Vented, MV 2005


- 8 GPM @ 4000 PSI
- 320° F Max
- 3/8" Inlet
- M22F Outlet

Part #	Description
8108.8641.00	Gun Lance, 8 GPM, 3700 PSI MV #0200917180

GUN LANCE – Molded


- 8 GPM @ 4000 PSI
- 200° F Max
- 3/8" QC Plug Inlet
- 24" Lance
- 1/4" QC Socket Outlet
- Holds five QC Nozzles
- Includes Side Grip Handle

Part #	Description
8102.1648.00	Gun Lance

GUN LANCE – Molded, MV 920


- 7 GPM @ 4000 PSI
- 300° F Max

Part #	Description
8108.7640.00	3/8" Inlet x 1/4" F Outlet MV #0200909250
8108.7641.00	Weep, 3/8" F Inlet x 1/4" F Outlet MV #0200909290

GUN LANCE – Molded, MV 2009


- 7 GPM @ 3800 PSI
- 212° F Max

Part #	Description
8108.7601.00	3/8" Inlet x M22F Outlet MV #0200905510
8108.9040.00	M22M Inlet x M22F Outlet MV #0200905520

GUN LANCE – Vented, MV 2005


- 8 GPM @ 3700 PSI
- 320° F Max
- 3/8" Inlet
- M22F Outlet

Part #	Description
8108.8607.00	Gun Lance, 8 GPM, 3700 PSI MV #0200917120

GUN LANCE – Vented, MV 2006


- 8 GPM @ 3700 PSI
- 320° F Max
- 3/8" Inlet
- M22F Outlet

Part #	Description
8108.9043.00	Gun Lance, 8 GPM, 3700 PSI MV #0200916120

GUN LANCE – Molded, MV 2008


- 7 GPM @ 3200 PSI
- 212° F Max
- Front Entry

Part #	Description
8108.7600.00	3/8" F Inlet x M22F Outlet MV #0200903520
8108.9039.00	M22M Inlet x M22F Outlet MV #0200903530

GUN LANCE – Molded, MV 970


- 7 GPM @ 3200 PSI
- 140° F Max

Part #	Description
8108.8606.00	3/8" Inlet, M22F Outlet MV #0200907110
8108.9041.00	M22M Inlet, M22F Outlet MV #0200907100

GUN LANCE – Molded, MV 2000


- 5 GPM @ 2900 PSI
- 104° F Max

Part #	Description
8108.8605.00	Gun Lance, M22M Inlet x M22F MV #0200903000
8108.8640.00	Gun Lance, 3/8" F Inlet x M22F MV #0200903030

GUN LANCE – Vented, MV 2005
GUN LANCE – Vented, MV 870


- 7 GPM @ 2300 PSI
- 140° F Max
- 3/8" QC Inlet
- M22F Outlet

Part #	Description
8108.7643.00	Gun Lance, 7 GPM, 2300 PSI MV #0200904060

HOBBY KIT



- Vari-Nozzle #3
- 24' x 1/4" 3000 PSI Steel Reinforced Rubber Hose
- Front Load Gun @ 2700 PSI
- Molded 36" Split Lance
- M22 Coupler

Part #	Description
8102.2600.00	Gun/Lance, Hose Assy & M22

HOSE ASSEMBLIES - 4000 PSI



- 4000 PSI Max.
- 250°F, (275°F Intermittent)
- 3/8"M Solid x 3/8"M Swivel
- Bend Restrictors on Both Ends
- Single Wire

Part #	Description
8115.0840.00	4000-25, Black, 25'
8115.0841.00	4000-50, Black, 50'
8115.0842.00	4000-100, Black, 100'
8115.0846.00	4000-25, Non-Marking Gray, 25'
8115.0847.00	4000-50, Non-Marking Gray, 50'
8115.0848.00	4000-100, Non-Marking Gray, 100'

HOSE ASSEMBLIES - 5400 PSI



- 5400 PSI Max.
- 250° F, (275° F Intermittent)
- 3/8"M Solid x 3/8"M Swivel
- Bend Restrictors on Both Ends
- Double Wire

Part #	Description
8115.0843.00	5400-25, Black, 25'
8115.0844.00	5400-50, Black, 50'
8115.0845.00	5400-75, Black, 75'
8115.0852.00	5400-100, Black, 100'
8115.0849.00	5400-25, Non-Marking Gray, 25'
8115.0850.00	5400-50, Non-Marking Gray, 50'
8115.0851.00	5400-100, Non-Marking Gray, 100'

HOSE REELS - Black



8112.0802.00



8102.0802.00

Part #	Description
8112.0802.00	Hose Reel, Black, 4000 PSI, 100'
8102.0802.00	Hose Reel, Black, 4000 PSI, 200'
8112.0804.00	Hose Reel Swivel, 90°
8112.0804.01	Repair kit

*For Hose Reel 8112.0802.00 & 8102.0802.00

E-mail: cometpump@cometpump.com

HOSE REEL SWIVEL



- 4000 PSI
- 3/8" FNPT Inlet
- 3/8" MNPT Discharge
- 400° F Max Temp.

Part #	Description
8112.0803.00	Swivel, 90° Rotary Union
8112.0810.00	Swivel Repair Kit

*For Hose Reel 8112.0801.00 (Not Pictured) No Longer Available

INJECTORS - Downstream



- Brass Insert
- 4500 PSI
- Adjustable or Fixed Flow
- 200°F

Part #	Description	Inlet	Outlet	GPM
8108.2101.00	MV400-1.6 Fixed Chem. Inj.	3/8" M	3/8" M	1-2
	MV#0203004000			
8108.2102.00	MV400-1.8 Fixed Chem. Inj.	3/8" M	3/8" M	2-3
	MV#0203004010			
8108.2103.00	MV400-2.1 Fixed Chem. Inj.	3/8" M	3/8" M	3-5
	MV#0203004020			
8108.2104.00	MV400-2.3 Fixed Chem. Inj.	3/8" M	3/8" M	5-8
	MV#0203004030			
8108.2105.00	MV410-1.6 Fixed Chem. Inj.	3/8" F	3/8" M	1-2
	MV#0203005000			
8108.2106.00	MV410-1.8 Fixed Chem. Inj.	3/8" F	3/8" M	2-3
	MV#0203005010			
8108.2107.00	MV410-2.1 Fixed Chem. Inj.	3/8" F	3/8" M	3-5
	MV#0203005020			
8108.2108.00	MV410-2.3 Fixed Chem. Inj.	3/8" F	3/8" M	5-8
	MV#0203005030			
8108.9064.00	MV420-2.1 Fixed Chem. Inj.	3/8" M	3/8" F	3-5
	MV#0203006020			
8108.2121.00	MVR400-1.6 Adj. Chem. Inj.	3/8" M	3/8" M	1-2
	MV#0203004100			
8108.2122.00	MVR400-1.8 Adj. Chem. Inj.	3/8" M	3/8" M	2-3
	MV#0203004110			
8108.2123.00	MVR400-2.1 Adj. Chem. Inj.	3/8" M	3/8" M	3-5
	MV#0203004120			
8108.2124.00	MVR400-2.3 Adj. Chem. Inj.	3/8" M	3/8" M	5-8
	MV#0203004130			
8108.2125.00	MVR410-1.6 Adj. Chem. Inj.	3/8" F	3/8" M	1-2
	MV#0203005100			
8108.2126.00	MVR410-1.8 Adj. Chem. Inj.	3/8" F	3/8" M	2-3
	MV#0203005110			
8108.2127.00	MVR410-2.1 Adj. Chem. Inj.	3/8" F	3/8" M	3-5
	MV#0203005120			
8108.2128.00	MVR410-2.3 Adj. Chem. Inj.	3/8" F	3/8" M	5-8
	MV#0203005130			
8108.9155.00	MVR420-1.8 Adj. Chem. Inj.	3/8" M	3/8" F	2-3
	MV#0203006110			
8108.2147.00	MVR420-2.1 Adj. Chem. Inj.	3/8" M	3/8" F	3-5
	MV#0203006120			
8108.2148.00	MVR420-2.3 Adj. Chem. Inj.	3/8" M	3/8" F	5-8
	MV#0203006130			

INJECTORS - Downstream

MVR400

- Stainless Steel Insert
- Adjustable
- 4500 PSI
- 200°F
- 3/8" M Inlet
- 3/8" M Outlet

Part #	Description	GPM
8108.2129.00	MVR400-1.6 Adj. Chem. Inj. 1 - 2 MV #0203004140	
8108.2130.00	MVR400-1.8 Adj. Chem. Inj. 2 - 3 MV #0203004150	
8108.9061.00	MVR400-2.1 Adj. Chem. Inj. 3 - 5 MV #0203004160	
8108.2132.00	MVR400-2.3 Adj. Chem. Inj. 5 - 8 MV #0203004170	

INJECTORS - Downstream


- Stainless Steel Insert
- 3500 PSI Max
- Adjustable Chemical Injection
- 212° F Max Temp
- 3/8" MPT Inlet x 3/8" MPT Outlet

Part #	Description	GPM
8402.2122.00	Injector, Adjustable 1.8 mm	2-3
8402.2123.00	Injector, Adjustable 2.1 mm	3-5
8402.2124.00	Injector, Adjustable 2.3 mm	5-8

INJECTORS - Downstream


- 4500 PSI
- 200°F
- Adjustable Hose Barb
- Brass Insert

Part #	Description	Inlet	Outlet	GPM
8108.8200.00	MVR410-2.1 Adj. Chem. Inj. MV #0203005620	3/8" F	3/8" M	3-5
8108.8004.00	MVR400-2.1 Adj. Chem. Inj. MV #0203004620	3/8" M	3/8" M	3-5
8108.2559.18	Adj Hose Barb Conversion Kit MV #0203100041			

INJECTORS - Twist Conn x M22


- 4100 PSI Max.
- 300°F

Part #	Description	Inlet	Outlet	GPM
8108.2151.00	Adj. Chem. Inj., 2.1 MV #0203007220	TC	M22	3-5
8108.2149.00	Adj. Chem. Inj., 2.3 MV #0203007230	TC	M22	5-8
8108.2152.00	Fixed Chem. Inj., 1.8 MV #0203007410	TC	M22	2-3

INJECTORS - Quick Connect


- 4000 PSI Max
- 200° F Max Temp
- 3/8" Q/C Plug Inlet
- 3/8" Q/C Coupler Outlet
- Brass

Part #	Description	Size	GPM
8102.2101.00	Injector, Adjustable	2.1mm	3-5



- 3500 PSI Max
- 212° F Max Temp
- 3/8" Q/C Plug Inlet
- 3/8" Q/C Coupler Outlet
- Brass

Part #	Description	Size	GPM
8402.2101.00	Injector, Adjustable	1.8mm	2-3
8402.2102.00	Injector, Adjustable	2.1mm	3-5
8402.2103.00	Injector, Adjustable	2.3mm	5-8

LANCES - Dual MV 30


- 11 GPM
- 4060 PSI
- 300° F

Part #	Description
8108.8100.00	Lance, 40" Chrome Plated MV #0202003020

LANCES - Dual Vented, Stainless


- 10.5 GPM
- 3600 PSI
- 300° F
- 1/4" Male Inlet
- 1/4" Female Outlet

Part #	Description
8108.1101.00	Dual Lance, 42" Stainless Steel MV #0202003130

LANCES - Dual Vented, Stainless


- 10.5 GPM
- 4000 PSI
- 300° F

Part #	Description
8402.1101.00	Dual Lance, 42" Stainless Steel

LANCES - Dual Vented, Zinc


- 10.5 GPM
- 4000 PSI
- 300° F

Part #	Description
8108.1100.00	Lance, Vented 40" Zinc Plated MV #0202003140

LANCES - Dual Vented, Zinc



- 10.5 GPM
- 4000 PSI
- 300° F

Part #	Description
8402.1100.00	Lance, Vented 40" Zinc Plated

LANCES - Dual



- 11 GPM
- 3600 PSI
- 300° F

Part #	Description
8108.8020.00	Dual Lance, M22M Inlet MV #0202004691

LANCES - Dual



- 10.5 GPM
- 3600 PSI
- 300° F Max.
- 1/8" Seamless Tubing

Part #	Description	
8110.1101.00	Molded Grip, 36"	A
8107.1110.00	Vented Grip, w/Trigger	B

LANCES - Molded, Chrome, Straight



- Seamless, Chrome-Plated
- 10.5 GPM
- 4000 PSI
- 300° F
- Box Qty 50

Part #	Description
8102.1200.00	Lance, Molded Grip, 13"
8102.1201.00	Lance, Molded Grip, 18"
8102.1202.00	Lance, Molded Grip, 24"
8102.1203.00	Lance, Molded Grip, 36"
8102.1204.00	Lance, Molded, Split Grip, 47"
8102.1205.00	Lance, Molded, Split Grip, 59"
8102.1206.00	Lance, Molded, Split Grip, 70"
8102.1207.00	Lance, Molded, Split Grip, 79"

LANCES - Molded, Zinc, Straight



- MV20/D
- 12 GPM
- 4500 PSI
- 300° F Max

Part #	Description
8108.9045.00	Lance, 36" Molded Grip MV #0202002560

LANCES - Molded, Zinc, Straight



- MV20/B
- 11 GPM
- 4000 PSI
- 300° F

Part #	Description
8108.1200.00	Lance, Molded Grip 13" MV #0202002000
8108.1201.00	Lance, Molded Grip 18" MV #0202002010
8108.8102.00	Lance, Molded Grip 24" MV #0202002040
8108.1203.00	Lance, Molded Grip 36" MV #0202002060
8108.1204.00	Lance, Molded Grip 47" MV #0202002080
8108.1205.00	Lance, Molded Grip 59" MV #0202002090
8108.1206.00	Lance, Molded Grip 70" MV #0202002110
8108.1207.00	Lance, Molded Grip 79" MV #0202002100

LANCES - Molded, Zinc, Straight



- MV 55
- 12 GPM
- 4500 PSI
- 300° F

Part #	Description
8108.9047.00	Lance, 28" Molded Grip MV #0202015500
8108.9048.00	Lance, 36" Molded Grip MV #0202015510
8108.9049.00	Lance, 47" Molded Grip MV #0202015520
8108.9050.00	Lance, 59" Molded Grip MV #0202015530

LANCES - Molded, Zinc, Straight



- 11 GPM
- 4000 PSI
- 300° F

Part #	Description
8402.1200.00	Lance, Molded Grip 13"
8402.1201.00	Lance, Molded Grip 18"
8402.1202.00	Lance, Molded Grip 24"
8402.1203.00	Lance, Molded Grip 36"
8402.1204.00	Lance, Molded Grip 47"
8402.1205.00	Lance, Molded Grip 59"
8402.1206.00	Lance, Molded Grip 70"
8402.1207.00	Lance, Molded Grip 79"

LANCES - Molded, Zinc, Bent



- 10.5 GPM
- 4100 PSI
- 300° F Max.
- Nozzle Protector
- Box Qty 30

Part #	Description
8107.1270.00	Lance, Molded, 27.5", Zinc
8107.1271.00	Lance, Molded, 35.5", Zinc
8107.1272.00	Lance, Molded, 47.5", Zinc
8107.1273.00	Lance, Molded, 59", Zinc
8107.1274.00	Lance, Molded, 67", Zinc
8107.1275.00	Lance, Molded, 79", Zinc
8107.1280.00	Lance, Molded, 27.5", SS Tubing
8107.1281.00	Lance, Molded, 35.5", SS Tubing
8107.1282.00	Lance, Molded, 47.5", SS Tubing
8107.1283.00	Lance, Molded, 59", SS Tubing
8107.1284.00	Lance, Molded, 67", SS Tubing
8107.1285.00	Lance, Molded, 79", SS Tubing

LANCES - Molded, Stainless, Bent



- MV 55
- 12 GPM
- 4500 PSI
- 300° F

Part #	Description
8108.9054.00	Lance, 28" Molded Grip MV #0202015800
8108.9055.00	Lance, 36" Molded Grip MV #0202015810
8108.9056.00	Lance, 47" Molded Grip MV #0202015820

LANCES - Molded, Zinc, Bent



- MV 55
- 12 GPM
- 4500 PSI
- 300° F

Part #	Description
8108.9051.00	Lance, 28" Molded Grip MV #0202015600
8108.9052.00	Lance, 36" Molded Grip MV #0202015610
8108.9053.00	Lance, 47" Molded Grip MV #0202015620

LANCES - Non-Molded, Aluminum



- 11 GPM
- 4000 PSI
- 300°

Part #	Description
8107.1222.00	Lance, Non-Molded 24"
8107.1223.00	Lance, Non-Molded 36"
8107.1224.00	Lance, Non-Molded 48"
8107.1225.00	Lance, Non-Molded 59"
8107.1226.00	Lance, Non-Molded 79"
8107.1227.00	Lance, Non-Molded 84"
8107.1228.00	Lance, Non-Molded 96"

LANCES - Non-Molded, Chrome



- Seamless, Chrome Plated
- 10.5 GPM
- 4000 PSI
- 300° F
- Box Qty 50

Part #	Description
8102.1210.00	Spray Lance, Non-Molded 12"
8102.1211.00	Spray Lance, Non-Molded 18"
8102.1212.00	Spray Lance, Non-Molded 24"
8102.1213.00	Spray Lance, Non-Molded 36"
8102.1214.00	Spray Lance, Non-Molded 47"
8102.1216.00	Spray Lance, Non-Molded 59"

LANCES - Non-Molded, Zinc



- Zinc Plated
- 11 GPM
- 4000 PSI
- 300°

Part #	Description
8108.1210.00	Spray Lance, Non-Molded 12" MV #0113730050
8108.1211.00	Spray Lance, Non-Molded 18" MV #0113770000
8108.1212.00	Spray Lance, Non-Molded 24" MV #0113770070
8108.1213.00	Spray Lance, Non-Molded 36" MV #0113770080
8108.1214.00	Spray Lance, Non-Molded 48" MV #471111
8108.1216.00	Spray Lance, Non-Molded 59" MV #471112

LANCES - Non-Molded, Zinc



- Seamless, Chrome Plated
- 10.5 GPM
- 4000 PSI
- 300° F

Part #	Description
8402.1210.00	Spray Lance, Non-Molded 12"
8402.1211.00	Spray Lance, Non-Molded 18"
8402.1212.00	Spray Lance, Non-Molded 24"
8402.1213.00	Spray Lance, Non-Molded 36"
8402.1214.00	Spray Lance, Non-Molded 48"
8402.1216.00	Spray Lance, Non-Molded 59"

LANCES - Non-Molded, Male/Female



- 1/4" MNPS x 1/8" FNPS
- Seamless, Chrome Plated
- 10.5 GPM
- 4000 PSI
- 300° F

Part #	Description
8102.1230.00	Lance, 18"
8102.1232.00	Lance, 36"

LANCES - Vented Grip, Chrome



- MV 10
- 11 GPM
- 4000 PSI
- 300° F
- 1/4" Inlet
- M22M Outlet

Part #	Description
8108.9044.00	Lance, 17", Single Seal M22 MV #0202000505
8108.7250.00	Lance, 17", Double Seal M22 MV #0202000500

LANCES - Vented, Zinc, Bent



- 10.5 GPM
- 4100 PSI
- 300° F Max.
- 1/4" Female Discharge
- Nozzle Protector
- Box Qty 25

Part #	Description
8107.1250.00	Lance, Vented, 27.5", Zinc Plated
8107.1251.00	Lance, Vented, 35.5", Zinc Plated
8107.1252.00	Lance, Vented, 47.5", Zinc Plated
8107.1253.00	Lance, Vented, 59", Zinc Plated
8107.1254.00	Lance, Vented, 67", Zinc Plated
8107.1255.00	Lance, Vented, 79", Zinc Plated
8107.1260.00	Lance, Vented, 27.5", SS Tubing
8107.1261.00	Lance, Vented, 35.5", SS Tubing
8107.1262.00	Lance, Vented, 47.5", SS Tubing
8107.1263.00	Lance, Vented, 59", SS Tubing
8107.1264.00	Lance, Vented, 67", SS Tubing
8107.1265.00	Lance, Vented, 79", SS Tubing

LANCES - Vented, Stainless, Straight



- 320° F
- 8 GPM
- 5100 PSI
- Blue Insulated Grip
- Box Qty 16

Part #	Description
8116.1200.00	41" Insulated, Stainless Steel

LANCES - Flex



- 194° F
- 10 GPM
- 2250 PSI

Part #	Description
8102.1900.00	Flex Lance, 18" 1/4"M x 1/4"M
8102.1904.00	Flex Lance, Red, 18" 1/4"M x 1/4"M
8102.1901.00	Flex Lance, 18" 1/4"M x 1/8"F
8102.1903.00	Flex Lance, Blue, 18" 1/4"M x 1/8"F

LANCE - Gutter Cleaner



- 3000 PSI
- 1/4" QC Outlet

Part #	Description
8102.1653.00	Gutter Cleaner, 1/4" Plug Inlet, 7"
8102.1656.00	Gutter Cleaner, M22M Inlet, 29"

LANCES - Straight, M22



- Seamless, Chrome-Plated
- 10.5 GPM
- 4000 PSI
- 300° F

Part #	Description
8102.1650.00	Lance, 18", 1/4" FPT x M22F

LANCES - Two Piece



- Industrial Grade
- 300° F
- 10.5 GPM
- 4100 PSI
- Molded Grip
- 1/4" MPT x M22F Twist Connect
- Zinc Plated Pipe M22M x 1/4" MPT

Part #	Description
8102.4100.00	36" Two Piece Lance w/Coupler

LANCES - Side Handle



- For 1/4" Wands
- Durable Rubber Handle
- Non Slip Rubber

Part #	Description
8102.1248.00	Rubber Handle for 1/4" Lance
8102.1249.00	Rubber Handle with "C" clamp
8102.1247.00	Plastic Handle with "C" clamp

LANCE - Wand Saver, Fitting



- 212° F
- 10 GPM
- 4000 PSI

Part #	Description
8402.1328.00	1/4" QC x 1/4" F

LANCES - 18" w/Vari-Nozzle



- 2500 PSI
- 140° F
- M22M Inlet
- 18" Lance
- Stainless Steel

Part #	Description
8108.1463.00	Lance Hi-Lo Nozzle 035 Orifice MV #0202005810

LANCES - Assembly



- 2600 PSI
- 140° F
- M22M Inlet
- Stainless Steel

Part #	Description
8108.7254.00	Lance, w/Power-Jet, Yellow Dot MV #0202905210

LANCES - Extensions



- 2500 PSI
- 140° F
- M22M Inlet
- Stainless Steel

Part #	Description
8108.7251.00	Lance Extension MV #0202000700

LANCES - Assembly, No Tip



- 3200 PSI
- 300° F
- M22M Inlet
- Hi-Lo Vari Nozzle-No Tip

Part #	Description
8108.7642.00	Lance, MV 970, No Tip MV #0202905930

LANCES - Extensions



- 2500 PSI
- 140° F
- M22M Inlet
- Stainless Steel

Part #	Description
8108.7252.00	Lance, 16.3" w/Ildro-Jet Blue Dot MV #0202000740
8108.7253.00	Lance, 23.6" w/Ildro-Jet No Dot MV #0202000750

LANCES - Telescoping



- Light Weight **ALUMINUM** Poles
- 8 GPM • 4000 PSI • 200° F
- Includes Support Belt (Aluminum only)

Part #	Description
8102.1004.00	Aluminum Wand, 18-foot

Part #	Repair Parts
8102.1004.01	Replacement Trigger Gun
8102.1602.01	Repair Kit for Trigger Gun
8102.1052.00	Replacement Hose, 18', 1/4" Dia.
8102.1004.06	Pole Lock, Large
8102.1004.05	Pole Lock, Small
8102.1004.02	Lance, Front
8102.1004.03	1/4" MNPT 8° Angled Plug
8102.1004.10	18' Wand Sections

LANCES - Telescoping

- Heavy Duty **FIBERGLASS** Pole Standard
- 8 GPM • 4000 PSI • 200° F



Part #	Description
8102.1001.99	Wand, Yellow, 12-foot
8102.1002.99	Wand, Yellow, 18-foot
8402.1002.00	Wand, Silver, 18-foot
8102.1003.99	Wand, Yellow, 24-foot
8102.1003.50*	Four Section, 24-foot
8104.1050.00	Telescoping Wand Support Belt

*Saves shipping cost for two or more

Part #	Repair Parts
8102.1001.01	Gun, Screw-in, New Style
8102.1050.01	Repair Kit for New Style Gun
8102.1050.00	Gun, Glue-on, Old Style
8102.1051.00	Replacement Hose, 12', 1/4" Dia.
8102.1052.00	Replacement Hose, 18', 1/4" Dia.
8102.1053.00	Replacement Hose, 24', 1/4" Dia.
8102.1054.00	Pole Lock, Large
8102.1001.04	Pole Lock, Small
8102.1002.30	Pole Lock, Large, Lever Lock
8102.1002.31	Pole Lock, Small, Lever Lock
8102.1001.10	Twist Connect Fitting
8102.1056.00	1/4" MNPT 8° Angled Plug
8102.1001.20	TW12-2 Black Sections w/ Locks
8102.1002.20	TW18-3 Black Sections w/ Locks
8102.1002.25	TW18-3 Yellow Sections w/ Locks
8102.1003.20	TW24-3 Black Sections w/ Locks
8102.1003.25	TW24-3 Yellow Sections w/ Locks

NOZZLE - Protector



- 300° F

Part #	Description
8108.8002.00	Nozzle Protector MV #0183740020

NOZZLE - Protector



- 4500 PSI
- 300° F

Part #	Description
8108.9159.00	Nozzle, 1/4" Inlet, 1/8" Outlet MV #0183000000
8402.1452.00	Nozzle, 1/4" Inlet, 1/4" Outlet MV #0183000010

NOZZLE - Protector MV 114



- 16 GPM
- 5075PSI
- 300° F

Part #	Description
8108.9151.00	Nozzle, 1/4" Inlet, 1/4" Outlet MV #0183000020

NOZZLE - Protector Kit M18



- 12 GPM
- 3600 PSI
- 300° F
- 1/4" Inlet

Part #	Description
8108.9024.00	Karcher Nozzle Holder MV #0183000080

NOZZLE - Adjustable, Tip Holder



- 1/4" Threading
- Pressure Adjustment for Chemical Application
- 3600 PSI Max.
- 300° Max.
- Box Qty 25

Part #	Description
8402.1450.00	Spray Tip Holder w/o Protector
8402.1451.00	Spray Tip Holder with Protector

NOZZLE - Adjustable, Tip Holder



- 4060 PSI Max.
- 8 GPM
- 320° Max.
- 1/4" Inlet/Outlet

Part #	Description
8108.7450.00	Spray Tip Holder with Protector MV #0204009800

NOZZLE - Adjustable



- 8 GPM
- 3000 PSI
- 300° F

Part #	Description
8108.9072.00	Nozzle, 1/4" Inlet, 1/4" Outlet MV #0204001210

NOZZLE - Chemical & Soap



- Low Pressure
- Chemical Nozzle

Part #	Description
8113.3160.00	Nozzle 1/4" QC, 65°, #40, Brass
8113.3162.00	Nozzle 1/4" QC, 65°, #40, Plastic
8102.2610.00	Nozzle 1/4" NPT 40°, #30, Brass

NOZZLES - IdroJet Vari Hi/Lo



- Hi/Lo
- 3000 PSI
- 300° F
- Finger Protection
- Variable Spray

Part #	Description
8108.9067.00	Nozzle, 1.05 MV #0204001005
8108.9068.00	Nozzle, 1.10 MV #0204001010
8108.9069.00	Nozzle, 1.20 MV #0204001020
8108.9070.00	Nozzle, 1.30 MV #0204001030
8108.9071.00	Nozzle, 1.35 MV #0204001035

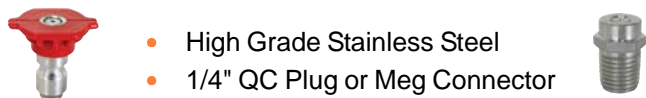
NOZZLE KIT - QC 5 Pack



Part #	Description
8113.1030.99	Nozzle Kit 030
8113.1035.99	Nozzle Kit 035
8113.1040.99	Nozzle Kit 040
8113.1045.99	Nozzle Kit 045
8113.1050.99	Nozzle Kit 050
8113.1055.99	Nozzle Kit 055
8113.1060.99	Nozzle Kit 060

*Other sizes available upon request

NOZZLES - QC & Meg



- High Grade Stainless Steel
- 1/4" QC Plug or Meg Connector

Part #	Description
8113.1XXX.YY	Quick Disconnect Spray Nozzle
8114.1XXX.YY	Meg Spray Nozzle

*Complete Above Part # Using Table

Orifice	0° Red	15° Yellow	25° Green	40° White
2.0	1020.00	1020.15	1020.25	1020.40
2.5	1025.00	1025.15	1025.25	1025.40
3.0	1030.00	1030.15	1030.25	1030.40
3.5	1035.00	1035.15	1035.25	1035.40
4.0	1040.00	1040.15	1040.25	1040.40
4.5	1045.00	1045.15	1045.25	1045.40
5.0	1050.00	1050.15	1050.25	1050.40
5.5	1055.00	1055.15	1055.25	1055.40
6.0	1060.00	1060.15	1060.25	1060.40
6.5	1065.00	1065.15	1065.25	1065.40
7.0	1070.00	1070.15	1070.25	1070.40
7.5	1075.00	1075.15	1075.25	1075.40
8.0	1080.00	1080.15	1080.25	1080.40
8.5	1085.00	1085.15	1085.25	1085.40
9.0	1090.00	1090.15	1090.25	1090.40
9.5	1095.00	1095.15	1095.25	1095.40
10.0	1100.00	1100.15	1100.25	1100.40

NOZZLES - QC & Meg



- Ceramic Orifice
- 1/4" QC Plug or Meg Connector
- 5075 PSI
- 300° F



Part #	Description
8113.31XX.00	Quick Disconnect Spray Nozzle
8113.30XX.00	Meg Spray Nozzle

*Complete Above Part # Using Table
**Other sizes available upon request (020, 025, 065-150)

Orifice	0° Red	15° Yellow	25° Green	40° White
3.0	3X08.00	3X09.00	3X10.00	3X11.00
3.5	3X12.00	3X13.00	3X14.00	3X15.00
4.0	3X16.00	3X17.00	3X18.00	3X19.00
4.5	3X20.00	3X21.00	3X22.00	3X23.00
5.0	3X24.00	3X25.00	3X26.00	3X27.00
5.5	3X28.00	3X29.00	3X30.00	3X31.00
6.0	3X32.00	3X33.00	3X34.00	3X35.00

NOZZLES - Rotating



- 4000 PSI
- 194° F
- 1/4" F Inlet

Part #	Description
8111.1470.00	Nozzle, 1.00, 027, Gray MV #0204009900
8111.1471.00	Nozzle, 1.10, 033, Red MV #0204009910
8111.1472.00	Nozzle, 1.20, 039, Yellow MV #0204009920
8111.1473.00	Nozzle, 1.30, 046, Green MV #0204009930
8111.1474.00	Nozzle, 1.40, 052, Blue MV #0204009940

NOZZLES - Rotating



- 4000 PSI
- 194° F
- 1/4" F Inlet

Part #	Description
8402.1401.00	Nozzle, 035
8402.1402.00	Nozzle, 040
8402.1403.00	Nozzle, 045
8402.1404.00	Nozzle, 050
8402.1405.00	Nozzle, 055

NOZZLES - Rotating, Yellow



- 3700 PSI
- 212° F
- 1/4" F Inlet

Part #	Description
8108.9091.00	Nozzle, 030 MV #0204007325
8108.8470.00	Nozzle, 040 MV #0204007345
8108.8005.00	Nozzle, 070 MV #0204007405
8108.9026.00	Cover MV #0183740450

NOZZLES - Rotating Compact



- 3000 PSI
- 210° F
- 1/4" F Inlet

Part #	Description
8108.8453.00	Nozzle, 025 MV #0204005610
8108.8450.00	Nozzle, 030 MV #0204005620
8108.8451.00	Nozzle, 035 MV #0204005630
8108.8452.00	Nozzle, 040 MV #0204005640

NOZZLES - Rotating w/Controller



- 5000 PSI
- 200° F
- With Speed Control

Part #	Description
8108.9073.00	Nozzle, 030 MV #0204006000
8108.9074.00	Nozzle, 035 MV #0204006005
8108.9075.00	Nozzle, 040 MV #0204006010
8108.9076.00	Nozzle, 045 MV #0204006015
8108.9077.00	Nozzle, 050 MV #0204006020
8108.9078.00	Nozzle, 055 MV #0204006025

Nozzle w/Controller Repair Kits



Part #	Description
8108.9101.00	Nozzle, 035 Kit MV #0204106005
8108.9102.00	Nozzle, 040 Kit MV #0204106010
8108.9103.00	Nozzle, 045 Kit MV #0204106015
8108.9104.00	Nozzle, 050 Kit MV #0204106020

NOZZLES - Rotating 2500



- Economy Rotating Nozzle
- 2500 PSI
- 140°F Max Temp
- 1/4" FPT Inlet

Part #	Description	Color
8111.1444.00	ROTOJET 025 Orifice MV #0204007900	Lt. Green
8111.1440.00	ROTOJET 030 Orifice MV #0204007910	Yellow
8111.1441.00	ROTOJET 035 Orifice MV #0204007920	Black
8111.1442.00	ROTOJET 040 Orifice MV #0204007930	Blue
8111.1443.00	ROTOJET 045 Orifice MV #0204007940	Dk. Green

NOZZLES - Soft/Hard w/Filter



- 3700 PSI,
- 200° F Max.
- QC Plug Inlet

Part #	Description
8108.7010.00	Nozzle, Soft/Hard w/HP Filter MV #0204906140

NOZZLES - Rotating 3700 PSI
NOZZLES - Rotating 4500 PSI


- Concentrated Straight Stream in a Conical Pattern
- 3700 PSI
- 210° F Max.
- 1/4" F Inlet



- Concentrated Straight Stream in a Conical Pattern
- 4500 PSI
- 210° F Max.
- 1/4" F Inlet

Part#	Description	Orifice
8111.1429.00	ROTOJET 3700-030 MV #0204007320	030
8111.1430.00	ROTOJET 3700-035 MV #0204007330	035
8111.1431.00	ROTOJET 3700-040 MV #0204007340	040
8111.1432.00	ROTOJET 3700-045 MV #0204007350	045
8111.1433.00	ROTOJET 3700-050 MV #0204007360	050
8111.1434.00	ROTOJET 3700-055 MV #0204007370	055
8111.1435.00	ROTOJET 3700-060 MV #0204007380	060
8108.9092.00	ROTOJET 3700-065 MV #0204007390	065
8108.9093.00	ROTOJET 3700-070 MV #0204007400	070
8111.1436.00	ROTOJET 3700-080 MV #0204007420	080
8111.1430.02	Black Cover MV #0183740130	

ROTOJET 3600 Repair Kits


Part #	Description
8111.1429.01	ROTOJET 3700-030 Kit MV #0204107320
8111.1430.01	ROTOJET 3700-035 Kit MV #0204107330
8111.1431.01	ROTOJET 3700-040 Kit MV #0204107340
8111.1432.01	ROTOJET 3700-045 Kit MV #0204107350
8111.1433.01	ROTOJET 3700-050 Kit MV #0204107360
8111.1434.01	ROTOJET 3700-055 Kit MV #0204107370
8111.1435.01	ROTOJET 3700-060 Kit MV #0204107380
8108.9111.00	ROTOJET 3700-065 Kit MV #0204107390
8108.9112.00	ROTOJET 3700-070 Kit MV #0204107400
8111.1436.01	ROTOJET 3700-080 Kit MV #0204107420

Part#	Description	Orifice
8111.1456.00	ROTOJET 4500-030 MV #0204006500	030
8111.1457.00	ROTOJET 4500-035 MV #0204006505	035
8111.1450.00	ROTOJET 4500-040 MV #0204006510	040
8108.9113.00*	ROTOJET 4500-040 MV #0204906510	040
8111.1451.00	ROTOJET 4500-045 MV #0204006515	045
8111.1452.00	ROTOJET 4500-050 MV #0204006520	050
8111.1453.00	ROTOJET 4500-055 MV #0204006525	055
8111.1454.00	ROTOJET 4500-060 MV #0204006530	060
8108.9083.00	ROTOJET 4500-065 MV #0204006535	065
8111.1455.00	ROTOJET 4500-070 MV #0204006540	070

*Includes QC plug

ROTOJET 4500 Repair Kits


Part #	Description
8111.1456.01	ROTOJET 4500-030 Kit MV #0204106500
8111.1457.01	ROTOJET 4500-035 Kit MV #0204106505
8111.1450.01	ROTOJET 4500-040 Kit MV #0204106510
8111.1451.01	ROTOJET 4500-045 Kit MV #0204106515
8111.1452.01	ROTOJET 4500-050 Kit MV #0204106520
8111.1453.01	ROTOJET 4500-055 Kit MV #0204106525
8111.1454.01	ROTOJET 4500-060 Kit MV #0204106530
8108.9105.00	ROTOJET 4500-065 Kit MV #0204106535
8111.1455.01	ROTOJET 4500-070 Kit MV #0204106540

NOZZLES - Rotating 5800 PSI



- Concentrated Straight Stream in a Conical Pattern
- 5800 PSI
- 200° F Max.
- 1/4" F Inlet

NOZZLES - Kits 5800 PSI

ROTOJET 5800 Repair Kits



Part #	Description	Orifice
8111.1400.00	ROTOJET 5800-030	030
	MV #0204006900	
8111.1401.00	ROTOJET 5800-035	035
	MV #0204006905	
8111.1402.00	ROTOJET 5800-040	040
	MV #0204006910	
8111.1403.00	ROTOJET 5800-045	045
	MV #0204006915	
8111.1404.00	ROTOJET 5800-050	050
	MV #0204006920	
8111.1405.00	ROTOJET 5800-055	055
	MV #0204006925	
8111.1406.00	ROTOJET 5800-060	060
	MV #0204006930	
8108.9087.00	ROTOJET 5800-065	065
	MV #0204006935	
8111.1407.00	ROTOJET 5800-070	070
	MV #0204006940	
8108.9088.00	ROTOJET 5800-075	075
	MV #0204006945	
8111.1408.00	ROTOJET 5800-080	080
	MV #0204006950	
8111.1410.00	ROTOJET 5800-090	090
	MV #0204006960	
8111.1411.00	ROTOJET 5800-100	100
	MV #0204006970	
8111.1412.00	ROTOJET 5800-110	110
	MV #0204006980	
8111.1409.00	ROTOJET 5800-120	120
	MV #0204006990	
8108.7001.00	ROTOJET 5800-140	140
	MV #0204007010	
8111.1413.00	ROTOJET 5800-150	150
	MV #0204007020	
8108.9089.00*	ROTOJET 5800-150	150
	MV #0204007021	
8108.9090.00	ROTOJET 5800-200	200
	MV #0204007070	

Part #	Description
8111.1400.01	ROTOJET 5800-030 Kit
	MV #0204106900
8111.1401.01	ROTOJET 5800-035 Kit
	MV #0204106905
8111.1402.01	ROTOJET 5800-040 Kit
	MV #0204106910
8111.1403.01	ROTOJET 5800-045 Kit
	MV #0204106915
8111.1404.01	ROTOJET 5800-050 Kit
	MV #0204106920
8111.1405.01	ROTOJET 5800-055 Kit
	MV #0204106925
8111.1406.01	ROTOJET 5800-060 Kit
	MV #0204106930
8108.9107.00	ROTOJET 5800-065 Kit
	MV #0204106935
8111.1407.01	ROTOJET 5800-070 Kit
	MV #0204106940
8108.9108.00	ROTOJET 5800-075 Kit
	MV #0204106945
8111.1408.01	ROTOJET 5800-080 Kit
	MV #0204106950
8111.1410.01	ROTOJET 5800-090 Kit
	MV #0204106960
8111.1411.01	ROTOJET 5800-100 Kit
	MV #0204106970
8111.1412.01	ROTOJET 5800-110 Kit
	MV #0204106980
8111.1409.01	ROTOJET 5800-120 Kit
	MV #0204106990
8108.7001.01	ROTOJET 5800-140 Kit
	MV #0204107010
8111.1413.01	ROTOJET 5800-150 Kit
	MV #0204107020
8108.9109.00	ROTOJET 5800-200 Kit
	MV #0204107070
8108.9004.00	Cover
	MV #0103740000

*25 DEGREE

**Gallons per Minute
Nozzle Size for Rotating Nozzles**

PSI	3.0	3.5	4.0	4.5	5.0	5.5	6.0	7.0	8.0	12.0
3000	2.60	3.03	3.46	3.90	4.33	4.76	5.20	6.06	6.93	10.39
3700	2.89	3.37	3.85	4.33	4.81	5.29	5.77	6.73	7.69	11.54
4000	3.00	3.50	4.00	4.50	5.00	5.50	6.00	7.00	8.00	12.00
4500	3.18	3.71	4.24	4.77	5.30	5.83	6.36	7.42	8.49	12.73
5000	3.35	3.91	4.47	5.03	5.59	6.15	6.71	7.83	8.94	13.42
5800	3.61	4.21	4.82	5.42	6.02	6.62	7.22	8.43	9.63	14.45

NOZZLES - Rotating UR25



- 7.7 GPM Max.
- 3650 PSI
- 212° F Max.
- 1/4" F Inlet
- Box Qty 5

Part #	Description	Orifice
8116.1430.50	UR25 Replacement Cover	
8116.1430.00	UR Nozzle 3650-030	030
8116.1431.00	UR Nozzle 3650-035	035
8116.1432.00	UR Nozzle 3650-040	040
8116.1433.00	UR Nozzle 3650-045	045
8116.1434.00	UR Nozzle 3650-050	050
8116.1435.00	UR Nozzle 3650-055	055
8116.1436.00	UR Nozzle 3650-060	060
8116.1437.00	UR Nozzle 3650-065	065
8116.1438.00	UR Nozzle 3650-070	070
8116.1439.00	UR Nozzle 3650-080	080

NOZZLES - Rotating UR32



- 9.0 GPM Max.
- 5100 PSI
- 212° F Max.
- 1/4" F Inlet
- Box Qty 5

Part #	Description	Orifice
8116.1450.50	UR32 Replacement Cover	
8116.1450.00	UR Nozzle 5100-030	030
8116.1451.00	UR Nozzle 5100-035	035
8116.1452.00	UR Nozzle 5100-040	040
8116.1453.00	UR Nozzle 5100-045	045
8116.1454.00	UR Nozzle 5100-050	050
8116.1455.00	UR Nozzle 5100-055	055
8116.1456.00	UR Nozzle 5100-060	060
8116.1457.00	UR Nozzle 5100-065	065
8116.1458.00	UR Nozzle 5100-070	070
8116.1459.00	UR Nozzle 5100-080	080

UR Nozzle Repair Kits

Part #	Description
8116.1430.01	UR Nozzle Repair Kit 030
8116.1431.01	UR Nozzle Repair Kit 035
8116.1432.01	UR Nozzle Repair Kit 040
8116.1433.01	UR Nozzle Repair Kit 045
8116.1434.01	UR Nozzle Repair Kit 050
8116.1435.01	UR Nozzle Repair Kit 055
8116.1436.01	UR Nozzle Repair Kit 060
8116.1437.01	UR Nozzle Repair Kit 065
8116.1438.01	UR Nozzle Repair Kit 070
8116.1439.01	UR Nozzle Repair Kit 080

NOZZLES - Rotating



- 7250 PSI
- 210° F

Part #	Description
8108.8460.00	Nozzle, 030 MV #0204006800
8108.8460.01	Repair Kit, Nozzle, 030 MV #0204106800
8108.9084.00	Nozzle, 050 MV #0204006820
8108.9084.01	Repair Kit, Nozzle, 050 MV #0204106820
8108.9085.00	Nozzle, 070 MV #0204006840
8108.9085.01	Repair Kit, Nozzle, 070 MV #0204106840
8108.9086.00	Nozzle, 080 MV #0204006850
8108.9086.01	Repair Kit, Nozzle, 080 MV #0204106850

NOZZLES - Rotating Rotomax™



- 200° F Max. Temp.
- 1/4" FPT Inlet
- See Descriptions for Sizing

Part #	Description
8110.1401.00	(Red) 2.1-2.6 GPM, 1300-2000PSI
8110.1402.00	(Blue) 2.9-4.0 GPM, 1450-3500PSI
8110.1403.00	(Black) 4.5-5.5 GPM, 1450-3500PSI

NOZZLES - Sewer



- 300° F
- Stainless Steel
- Forward Blast to Clear Debris
- Backward Blast to Flush

Part #	Description
8108.3009.00	1/4 FPT, 5000 PSI, Size #4.0 MV #0124722240
8402.3010.00	1/4 FPT, 4000 PSI, Size #4.5
8402.3011.00	1/4 FPT, 4000 PSI, Size #6.5
8402.3012.00	1/4 FPT, 4000 PSI, Size #11
8108.3109.00	1/8 FPT, 5000 PSI, Size #4.0 MV #0124722200
8402.3110.00	1/8 FPT, 4000 PSI, Size #4.5
8402.3111.00	1/8 FPT, 4000 PSI, Size #6.5
8402.3112.00	1/8 FPT, 4000 PSI, Size #11

NOZZLES - Rotating Soft/Hard



- 3700 PSI
- 200° F
- Cleans Soft and Hard Surfaces

Part #	Description
8108.9079.00	Nozzle, 030 MV #0204006120
8108.9080.00	Nozzle, 035 MV #0204006130
8108.9081.00	Nozzle, 040 MV #0204006140
8108.9082.00	Nozzle, 045 MV #0204006150

NOZZLES - Rotating Hi/Lo Turbo



- 2500 PSI
- 140° F
- Hi-Lo for Chemical Injection

Part #	Description
8108.8490.00	Nozzle, 040 MV #0204009030
8108.8491.00	Nozzle, 045 MV #0204009040

NOZZLES - Steam



- 1450 PSI
- 1.5mm Orifice
- 1/4" BSP Inlet
- Brass

Part #	Description
8102.2620.00	Steam Nozzle

NOZZLES - Triple Function



- 3000 PSI
- 210° F
- Rotating
- High Pressure 15°
- Low pressure for Chemical Injection

Part #	Description
8108.9100.00	Nozzle, 035 MV #0204009200
8108.8495.00	Nozzle, 040 MV #0204009210

NOZZLES - Variable



- 8 GPM
- 3200 PSI
- 300° F Max Temp
- 1/4" F Inlet

Part #	Description
8108.8480.00	Vari Nozzle, 1.10 MV #0204008510

NOZZLES - Variable



- 3000 PSI
- 300° F
- 1/4" Inlet
- With Inscriptions

Part #	Description
8108.9094.00	Nozzle, .27, Violet MV #0204008800
8108.9095.00	Nozzle, .30, Yellow MV #0204008805
8108.9096.00	Nozzle, .35, White MV #0204008810
8108.8401.00	Orifice, .27 MV #0124720280
8108.9005.00	Dot, Violet MV #0105740100

NOZZLES - Vari Hi/Lo, IdroJet

- Twist Action Spray Angle Adjustment
- Push/Pull Pressure Adjustment
- 8 GPM
- 3200 PSI
- 300° F Max.
- See chart on page 62 for sizing



Part #	Description
8108.1419.00	HiLo Nozzle Replacement Body MV #0204200040

Part #	Description
8108.1420.00	HiLo, 1.05 mm Orifice, Yellow Dot MV #0204008000
8108.1421.00	HiLo, 1.10 mm Orifice, White Dot MV #0204008010
8108.1422.00	HiLo, 1.15 mm Orifice, Red Dot MV #0204008020
8108.1423.00	HiLo, 1.20 mm Orifice, Blue Dot MV #0204008030
8108.1424.00	HiLo, 1.25 mm Orifice, Brown Dot MV #0204008040
8108.1425.00	HiLo, 1.30 mm Orifice, Orange Dot MV #0204008050
8108.1426.00	HiLo, 1.35 mm Orifice, Green Dot MV #0204008060
8108.1427.00	HiLo, 1.40 mm Orifice, Lt. Blue Dot MV #0204008070
8108.1428.00	HiLo, 1.45 mm Orifice, Black Dot MV #0204008080
8108.1429.00	HiLo, 1.50 mm Orifice, Gray Dot MV #0204008090
8108.1430.00	HiLo, 1.60 mm Orifice, Dk. Grn Dot MV #0204008100

ORIFICES – IdroJet
Replacement Orifices

Part #	Description
8108.1420.01	1.05 mm IdroJet Orifice MV #0124720290
8108.1421.01	1.10 mm IdroJet Orifice MV #0124720080
8108.1422.01	1.15 mm IdroJet Orifice MV #0124720170
8108.1423.01	1.20 mm IdroJet Orifice MV #0124720090
8108.1424.01	1.25 mm IdroJet Orifice MV #0124720150
8108.1425.01	1.30 mm IdroJet Orifice MV #0124720100
8108.1426.01	1.35 mm IdroJet Orifice MV #0124720180
8108.1427.01	1.40 mm IdroJet Orifice MV #0124720110
8108.1428.01	1.45 mm IdroJet Orifice MV #01247200260
8108.1429.01	1.50 mm IdroJet Orifice MV #0124720120
8108.1430.01	1.60 mm IdroJet Orifice MV #0124720130

DOTS – For IdroJet
Replacement Color Dots

Part #	Description
8108.1420.02	Yellow Dot for 1.05mm MV #0105740000
8108.1421.02	White Dot for 1.10mm MV #0105740010
8108.1422.02	Red Dot for 1.15mm MV #0105740020
8108.1423.02	Blue Dot for 1.20mm MV #0105740030
8108.1424.02	Brown Dot for 1.25mm MV #0105740050
8108.1425.02	Orange Dot for 1.30mm MV #0105740060
8108.1426.02	Green Dot for 1.35mm MV #0105740040
8108.1427.02	Lt. Blue Dot for 1.40mm MV #0105740070
8108.1428.02	Black Dot for 1.45mm MV #0105740080
8108.1429.02	Gray Dot for 1.50mm MV #0105740090
8108.1430.02	Dk. Green Dot for 1.60mm MV #0105740110

Sizing Chart for Hi-Lo/Vari Nozzles

NOZZLE		Pressure – PSI											Gallons Per Minute
#	Dia. MM	600	700	800	900	1000	1200	1500	1800	2000	2500	3000	
027	1.00	1.10	1.16	1.25	1.30	1.35	1.47	1.67	1.82	1.93	2.18	2.37	
030	1.05	1.22	1.30	1.37	1.45	1.52	1.66	1.86	2.04	2.16	2.42	2.64	
035	1.10	1.35	1.43	1.52	1.60	1.68	1.84	2.06	2.26	2.39	2.67	2.91	
037	1.15	1.55	1.63	1.72	1.80	1.88	2.03	2.25	2.46	2.59	2.90	3.17	
040	1.20	1.60	1.70	1.80	1.90	2.00	2.19	2.45	2.69	2.84	3.17	3.44	
043	1.25	1.72	1.83	1.94	2.05	2.16	2.36	2.64	2.90	3.06	3.41	3.70	
046	1.30	1.85	1.97	2.09	2.21	2.32	2.54	2.84	3.12	3.29	3.66	3.96	
050	1.35	1.97	2.10	2.23	2.36	2.48	2.71	3.04	3.34	3.52	3.92	4.23	
053	1.40	2.09	2.23	2.37	2.51	2.63	2.89	3.23	3.55	3.74	4.16	4.49	
056	1.45	2.22	2.37	2.52	2.66	2.80	3.06	3.43	3.77	3.97	4.41	4.76	
060	1.50	2.34	2.50	2.66	2.81	2.96	3.24	3.63	3.99	4.20	4.66	5.02	
065	1.60	2.52	2.72	2.91	3.08	3.25	3.56	3.98	4.36	4.60	5.14	5.63	

OIL – Pump Oil


- Specially Formulated for use in all High-Pressure Industrial Piston Pumps
- Universal Tractor Transmission Oil (UTTO)
- 30 Wt. Non-Detergent & Non-Foaming

Comet Industrial Pump Oil is a specially formulated non-detergent, non-foaming oil, which is AW100 rated for superior oxidation protection. Comet recommends changing pump oil after the initial 50 hours of operation and every 300 hours thereafter.

Part #	Description
8102.1801.00	Pump Oil, 32 oz. Bottle
8102.1802.00	Pump Oil, Case of 12 Bottles

OIL – HPP Pumps

Part #	Description
8102.1811.00	Pump Oil, 5 Gal. Bottle
8102.1812.00	Pump Oil, Case of 2 Bottles

PACKING EXTRACTOR KIT



- For Comet™ Pumps
- Slide Hammer

Part #	Description
0899.0004.00	Extractor Tool, 15 & 18mm
0899.0005.00	Extractor Tool, 20, 22 & 25mm
0899.0006.00	Extractor Hammer
0899.0007.00	Extractor Kit

PACKING INSERTION KIT



- Increase Efficiency in Pump Repair
- Industrial Grade Materials

Part #	Description
3335.0023.00	Packing Kit LW, ZW, FW & HW
Parts for AXD Tool Kit:	
3335.0025.00	Insertion Tool, Front packing
3335.0026.00	Bushing Tool, Front Packing
3335.0027.00	Base
3335.0028.00	Internal Bushing, Back Packing
3335.0029.00	External Bushing, Back Packing
3335.0030.00	Insertion Tool N1, Back Packing
3335.0031.00	Insertion Tool N2, Back Packing

PULSATION DAMPENERS



- 3100 PSI Max.
- 580 PSI Precharge
- 180° F

Part #	Description
8107.3200.00	Accumulator, .02 Gal., 3/8" FPT Flow 0-6.6 GPM
8107.3201.00	Accumulator, .09 Gal., 1/2" FPT Flow 6.6-18.5 GPM
8107.3202.00	Accumulator, .09 Gal., 3/8" FPT Flow 6.6-18.5 GPM

SAND BLASTER – Wet, Industrial



- 10 GPM Maximum
- 3 GPM Minimum
- Up to 3500 PSI use 15° tip
- 3500–5500 PSI use 0° tip
- 1500 PSI Minimum Working Pressure

Part #	Description
8103.1901.00	Wet Sand Blast Kit, Complete
8103.1902.00	Sand Probe
8103.1903.00	Tungsten Carbide Nozzle
8103.1913.00	Tip Adapter
8103.1908.00	5/16" x 1" Thumb Screw
8103.1910.00	3/4" Suction Hose (25 ft.)
8103.1911.00	Sandmiser Valve

SAND BLASTER – Commercial



- 11 GPM
- 3600 PSI
- 200° F

Part #	Description
8108.1901.00	TS33-1.4 Head Assy 1.4 mm MV #0204005020
8108.1903.00	TS33-1.6 Head Assy 1.6 mm MV #0204005040
8108.1905.00	Sand Blast Suction Tube MV #0213000000
8108.1900.02	Pressure Nozzle, 1.2 mm MV #0124720310
8108.1901.02	Pressure Nozzle, 1.4 mm MV #0124720320
8108.1902.02	Pressure Nozzle, 1.5 mm MV #0124720330
8108.1903.02	Pressure Nozzle, 1.6 mm MV #0124720330
8108.1900.01	Alignment Nozzle, 1.2 mm MV #0124710250
8108.1901.01	Alignment Nozzle, 1.4 mm MV #0124710260
8108.1902.01	Alignment Nozzle, 1.5 mm MV #0124710270
8108.1903.01	Alignment Nozzle, 1.6 mm MV #0124710280
8108.1906.00	Carbide Insert MV #0124700000

SLUDGE PUMPS



- 3650 PSI
- 300° F Max.
- Hose ID 35mm

Part #	Description
8000.4000.35	Sludge Pump, 035 Nozzle MV #0213000500
8000.4000.40	Sludge Pump, 040 Nozzle No MV #
8000.4001.40	Nozzle, 040 No MV #
8000.4000.45	Sludge Pump, 045 Nozzle MV #0213000510
8000.4000.46	Nozzle, 045 MV #0124710430
8108.9132.00	Sludge Pump, 045 w/o Hose MV #0213000610
8000.4000.50	Sludge Pump, 050 Nozzle MV #0213000520
8000.4000.55	Sludge Pump, 055 Nozzle MV #0213000530
8000.4000.56	Nozzle, 055 MV #0124710450
8108.9133.00	Sludge Pump, 055 w/o Hose MV #0213000630
8000.4000.60	Sludge Pump, 060 Nozzle MV #0213000540
8000.4000.90	Clamp
8000.4000.95*	Hose, Sludge Pump

*Can be ordered to specific length up to 100'

SURFACE CLEANER - 3000 PSI



- 4 GPM
- 3000 PSI
- 140° F
- M22M Inlet
- 035 Nozzle

Part #	Description
8108.8012.00	Surface Cleaner, w/Wheels MV #0207002013
8108.8012.01	Nozzle, Surface Cleaner MV #0124720842
8108.8010.00	Surface Cleaner, No Wheels MV #0207000013
8108.9006.00	Spray Bar, Surface Cleaner 045 MV #0109000340
8108.8014.00	Wheel Replacement Kit MV #0207102010
8108.8013.00	Wheel Conversion Kit MV #0207102000
8108.9008.00	Brush for 8108.8012.00 MV #0109740160
8108.9007.00	Brush for 8108.8010.00 MV #0109740090

SURFACE CLEANER - RotoBlaster



- 20" Free Floating Dome
- 8 GPM Max.
- 4000 PSI Max.
- 180° F Max. Temp
- 2-Part Handle for Easy Storage and Transport
- Durable 2-Point Handle Attachment
- Rebuildable Rotary Head

Part #	Description
8102.2403.00	RotoBlaster Surface Cleaner, 20"
Replacement Parts	
8102.2403.28	Replacement Trigger Gun
8102.2461.00	Replacement Hose Assembly
8102.2403.11	Replacement Rotary Head
8102.2403.14	Replacement Mounting Collar
8102.2403.19	Replacement Spray Bar
8102.2403.20	Skirt
8102.2403.21	Dome, Black
8102.2403.24	Rotary Head Repair Kit
8102.2403.29	Spray Gun Repair Kit
8102.2403.40	Caster Kit
8102.2490.00	Shut Off Valve Kit
8102.2474.00	O-Ring, Viton

*For additional parts contact Comet

SURFACE CLEANER - Whirl-A-Way



- 8 GPM Max.
- 4000 PSI Max.
- 180° F
- UV Resistant Dome
- Rebuildable Swivel
- Industrial Duty

Part #	Description
8102.2401.00	Surface Cleaner, 16" Dia., w/Brush
Replacement Parts	
8102.2454.00	16 Rotary Head
8102.2458.00	Rotary Head Repair Kit
8102.2470.01	Trigger Gun 16
8102.2462.00	16 Skirt, Nylon
8102.2470.00	16 Replacement Spray Bar
8102.2450.00	16 Rotary Head Mounting Bracket
8102.2461.00	Replacement Hose

*For additional parts contact Comet

SURFACE CLEANER - 12"



- 4000 PSI Max.
- 8 GPM
- 180° F

Part #	Description
8102.2407.00	Surface Cleaner, 12"

SURFACE CLEANER - Floor



- 11 GPM
- 3600 PSI
- 300° F
- Heavy Duty Swivel
- Double Row Ball Bearing

Nozzles not included

Part #	Description
8108.8011.00	Floor Cleaner, 13-3/4" Diameter MV #0207001000

SWITCHES - Flow



- 8 GPM
- 4350 PSI
- 180° F Max.
- 3/8" F In/Outlet
- 12v - 250v, 3 Amp
- Vertical and Horizontal

Part #	Description
8108.2201.00	Flow Switch, Horizontal MV #0205010010
8108.2202.00	Flow Switch, Vertical MV #0205010000
8108.2209.00	Replacement Reed Switch MV #0199700000

SWITCHES - Pressure PS6



- 3-Wire Design
- 4060 PSI
- 167° F Max.
- 12v - 250v, 16 Amp
- 218, 363 & 652 PSI Switching Pressure

Part #	Description
8108.2203.00	Switch, 218 PSI, 1/4" M MV #0205007000
8108.2205.00	Switch, 363 PSI, 1/4" M MV #0205007010
8108.2206.00	Switch, 363 PSI, 3/8" M MV #0205007030
8108.2207.00	Switch, 652 PSI, 1/4" M MV #0205007020
8108.2208.00	Switch, 652 PSI, 3/8" M MV #0205007040

SWITCHES - Pressure



- 3-Wire Design
- 4100 PSI
- 195° F Max.
- 12v - 250v, 15 Amp
- 210, 360 & 580 PSI Switching Pressure
- Box Qty 25

Part #	Description	Code
8107.2204.00	Switch, 210 PSI, 3/8" M	BLUE

SWITCHES - Vacuum



- 140° F Max.
- 1/4" FNPT Port
- 250v, 16 Amp
- Box Qty 60

*For Water use Only

Part #	Description
8107.2211.00	Vacuum Switch, (Size 1.5)
8107.2212.00	Vacuum Switch, (Size 2.0)
8107.2213.00	Vacuum Switch, (Size 2.5)
8107.2216.00	Vacuum Switch, (Size 4.0)
8107.2217.00	Vacuum Switch, (Size 4.5)

SWIVEL - High Pressure



- 10.5 GPM Max.
- 4050 PSI
- 3/8" MBSP x 3/8" FBSP
- Brass
- 320° F Max
- Box Qty 10

Part #	Description
8116.3501.00	Swivel, Straight

SWIVEL - High Pressure



- 10.5 GPM
- 4100 PSI
- 300° F
- 3/8" F x 3/8" M
- Brass Body
- Box Qty 20

Part #	Description
8402.3501.00	Swivel, High Pressure

SWIVEL - High Pressure



- 10.5 GPM
- 5650 PSI Max.
- 320° F
- 3/8" x 3/8"
- Stainless Steel
- Box Qty 10

Part #	Description
8116.3503.00	Swivel, Straight, SS

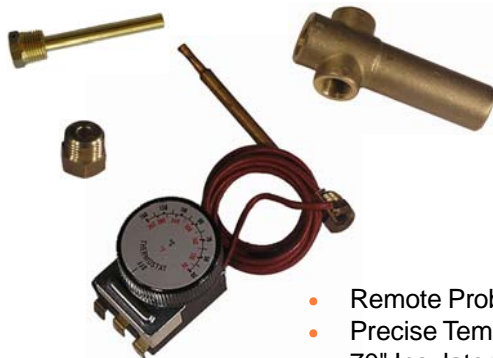
TAPE - Teflon



- Better Sealing of Threaded Connections
- High Quality
- 1/2" Rolls
- 480" Length
- Box Quantity 12

Part #	Description
8102.2900.00	Teflon Tape, Roll

THERMOSTATS



- 1/2" BSP Probe
- 4000 PSI
- 250V 15A
- Remote Probe Design
- Precise Temperature Control
- 70" Insulated Cap Tube

Part #	Description
3230.0037.00	194 Degree, Remote Probe, 194° F
3230.0036.00	250 Degree, Remote Probe, 250° F
3230.0035.00	302 Degree, Remote Probe, 302° F
8107.2320.00	Thermostat Well 1/2" F Top, 3/8" x 3
8107.2307.00	Thermostat Probe Sheath
2000.0125.00	Bushing, Brass 1/2" NPT
8107.2310.00	Bushing, Brass 1/2" BSP

THREAD LOCK



- Replacement for Loctite
- Medium
- 250 ml Bottles
- Box Qty 10

Part #	Description
8108.3600.00	Medium 100/200 lbs., 250 ML A
8201.3600.00	Medium, TL42-10, 10 ML B

THROTTLE CONTROL



- 4000 PSI
- 1000 PSI Actuation Pressure
- 145° F Max.
- 3/8" NPT Inlet, 42" Cable

Part #	Description
8102.2701.00	Throttle Control Kit
8102.2701.01	Repair Kit

UNLOADERS - VB-80/400



- 21 GPM
- 195° F Max
- 1/2" FNPT Inlet, Outlet & By-Pass

Part #	Rated PSI	Max PSI
8116.2505.00	5800	6500
8116.2505.01	Repair Kit	
8116.2505.02	O-Ring Kit, Viton	

UNLOADERS - VB-350



- 10.5 GPM
- 5100 Rated PSI
- 5650 Max PSI
- 195° F Max.

Part #	Inlet	Outlet	By-Pass
8116.2501.00	3/8" BSP-M	3/8" BSP-F	1/2" BSP-F

UNLOADERS - Pulsar 280



- 8.0 GPM
- 4050 Rated PSI
- 4500 Max PSI
- 195° F Max
- Box Qty 15

Part #	Inlet	Outlet
8116.2509.00	3/8" NPT-F	3/8" NPT-F
8116.2510.00	w/EZ Start 3/8" NPT-F	3/8" NPT-F
8116.2509.01	Repair Kit, Pulsar 280	

UNLOADERS - AP 550



- 8 GPM
- 3675 PSI
- 140° F
- 3/8" F Inlet x 2
- 3/8" F Outlet
- 1/4" F By-Pass x 3

Part #	Description
8108.8500.00	Unloader MV #0215002110

UNLOADERS – VB-80/150 & 280



- 21 GPM
- 195 ° F Max
- 1/2" FNPT Inlet, Outlet & By-Pass

Part #	Rated PSI	Max PSI
8116.2503.00	2200	2450
8116.2504.00	4050	4500
8116.2504.01	Repair Kit, VB80/150 & 280	

UNLOADERS – Pulsar Zero



- 2.4 to 10.5 GPM
- 4050 PSI
- 195° F

Part #	Inlet	Outlet	By-Pass
8116.2521.00	3/8" F	3/8" F	3/8" F
8116.2521.01	Repair Kit		

UNLOADERS – MV 550



- 8 GPM
- 3600 PSI
- 200° F
- 3/8" F In/Outlet
- 1/4" By-Pass x 2

Part #	Description
8108.2513.00	Unloader, with Switch MV #0215002050
8108.2513.01	Repair Kit, Micro Switch MV #0101000000

UNLOADERS – Pulsar 3



- 8.0 GPM
- 195° F Max
- Inlet/By-Pass 3/8"
- Outlet 3/8" NPT
- Box Qty 15

Part #	Description
8116.2508.00	Unloader 3650 PSI Max
8116.2515.00	Unloader 1750 PSI Max
8116.2515.01	Seat & O-Ring Kit
8116.2515.02	Repair Kit
8116.2515.03	Repair Kit, Pack of 5

UNLOADERS – Trapped Pressure



MV590



MV595

- 8.0 GPM
- 140° F Max.
- Built-in Thermal Relief Valve
- Built-in EZ Start Valve
- Built-in Chemical Injector

Part #	Inlet	Outlet	By-Pass	PSI
8108.2505.00	3/8" M	3/8" M	1/4" F	3600
	MV #0215002960 MV 590			
8108.2503.01	Repair Kit MV 590			
	MV #0215102000			
8108.2502.00	3/8" F	3/8" F	1/4" F	4000
	MV #0215003300 MV 595			
8108.2512.00*	3/8" F	3/8" F	1/4" F	4000
	MV #0215003310 MV 595			
8108.2502.01	Repair Kit MV 595			
	MV #0215103320			
8108.2502.02	Injector Repair Kit MV 595			
	MV #0203100010			
8108.2505.01	Repair Kit MV 590			
	MV #0215102900			

*Does not include Injector

*Includes Safety Valve

UNLOADERS – VB 280



- 10.5 GPM
- 195 ° F Max
- 3/8" M Inlet
- 3/8" F Outlet
- 1/2" F By-Pass

Part #	Rated PSI	Max PSI
8116.2517.00	4050	4500
8116.2517.01	Repair Kit, VB 280	

UNLOADERS – MV 570



- 8.0 GPM
- 140° F Max.
- Hose Barb By-Pass
- 580° Switch Pressure
- 15A
- 12-250V

Part #	Inlet	Outlet	PSI
8108.2515.00	M22M	M22M	1500
	MV #0215002910		
8108.2516.00	3/8" M	3/8" F	3500
	MV #0215002920		
8108.2620.01	Cartridge Kit		
	MV #0215102920		
8108.2516.01*	Check Valve Kit		
	MV #0215102020		

* Only for Unloaders 8108.2516.00 & 8108.2517.00

UNLOADERS - VB 75


- 8 GPM
- 195 ° F Max
- Coupling 3/8" x 1/2" M
- 3/8" F Outlet

Part #	Rated PSI	Max PSI
8116.2516.00	3200	3650
8116.2516.01	Repair Kit, VB 75	

UNLOADERS - VRC 25


- 8 GPM
- 3625 PSI
- 194 ° F Max
- 3/8" F Inlet
- 3/8" F Outlet
- 3/8" F By-Pass



Part #	Description
8108.2580.00	Unloader MV #0215010510
8108.2581.00	Unloader, No Knob MV #0215010520
8108.2580.01	Repair Kit, Unloader w/o Switch MV #4079900011
8108.2582.00	Unloader, with Switch MV #0215010530
8108.2583.00	Unloader, with Switch, No Knob MV #0215010540
8108.2582.01	Repair Kit, Unloader with Switch MV #4079900010

UNLOADERS - VHP-39


- 10.5 GPM
- 5650 PSI
- 194° F Max

Part #	Inlet/Outlet	By-Pass	Color
8108.2546.00	3/8" FPT	3/8" FPT	Black
	MV #4072000012		

UNLOADERS - MV 580


- 8 GPM
- 3600 PSI
- 200° F
- 3/8" F In/Outlet
- 1/4" By-Pass

Part #	Description
8108.2506.01	Unloader, w/o Knob MV #0215003030

UNLOADERS - VRT-3


- 8.0 GPM
- 194° F Max



8108.2536.00

Part #	PSI	Inlet/Outlet	By-Pass	Color
8108.2530.00	2320	3/8" FPT	3/8" FPT	Yellow
		MV #0215010300		
8108.2533.00*	2320	3/8" FPT	3/8" FPT	Yellow
		MV #0215010330		
8108.2531.00	3650	3/8" FPT	3/8" FPT	Blue
		MV #0215010310		
8108.2534.00*	3650	3/8" FPT	3/8" FPT	Blue
		MV #0215010340		
8108.2532.00	4500	3/8" FPT	3/8" FPT	Black
		MV #0215010320		
8108.2535.00*	4500	3/8" FPT	3/8" FPT	Black
		MV #0215010350		
8108.2542.00**	4500	3/8" FPT	3/8" FPT	Black
		MV #4072000002		
8108.2536.00	4500	3/8" FPT	3/8" FPT	Black
		MV #4072000009		
8108.2530.01	Repair kit, 2320 & 3630 PSI MV #4079900004			
8108.2532.01	Repair kit, 4500 PSI MV #4079900005			

*No Knob

**Includes EZ Start

UNLOADERS - Trapped Pressure

MV550

- Brass Valve Body
- 200° F Max.

MV580

- Adjustment Handle
- 8.0 GPM



Part #	PSI	I/O	By-Pass
8108.2503.00*	3600	3/8" F	1/4" Fx2 MV550
		MV #0215002150	
8108.2504.00	3600	3/8" F	1/4" Fx2 MV550
		MV #0215002010	
8108.2506.00	3600	3/8" F	1/4" Fx1 MV580
		MV #0215003010	
8108.2503.01	Repair Kit MV #0215102000		
8108.2504.01	Knob MV #0119000010		

* With Built-in EZ Start Valve

UNLOADERS - Trapped Pressure



- Internal Spring Design
- Brass Valve Body
- Adjustment Handle
- 200° F Max. 8 GPM
- Pressure Activated

Part #	PSI	Inlet/Outlet	By-Pass
8108.2510.00	2000	3/8" M	3/8" F MV520 MV #0215004010
8108.2511.00	2600	3/8" M	3/8" F MV540 MV #0215005010
8108.2507.00	3200	3/8" M	3/8" F MV560 MV #0215006010
8108.2514.00	2000	3/8" M	3/8" M MV520 MV #0215004120
8108.2501.01	Repair Kit MV #0215101000		
8108.2559.01	Knob MV #0119740010		

UNLOADERS - VB-200/150



- 53 GPM
- 2200 Rated PSI
- 2450 Max PSI
- 195° F Max

Part #	Inlet	Outlet	By-Pass
8116.2502.00	1" FPT	1" FPT	1" FPT
8116.2502.01	Repair Kit		

UNLOADERS - MV 550



- 8 GPM
- 3600 PSI
- 1/4" By-Pass
- Switch 580 PSI

Part #	Description
8108.9135.00	Unloader, 3/8" F Inlet & Outlet MV #0215002055
8108.2513.01	Repair Kit, Micro Switch MV #0101000000

UNLOADERS - VB-285



- 8.0 GPM
- 4050 Rated PSI
- 4500 Max PSI
- 195° F Max
- Banjo Kit with Knob
- Box Qty 20

*Used on ZWD 4040 G Pump

Part #	Inlet	Outlet
8116.2500.00	1/2" BSP-F	3/8" BSP-F
8116.2500.02	Banjo Conversion Kit	

UNLOADERS - Trapped Pressure



MV545



MV565



MV546
MV566



Banjo Kit

- Eliminates Need for Bypass Hose
- Increases Production Efficiencies
- Compact Design
- Internal Spring

Bolt-On Unloaders Order with Banjo Kits Below

Part #	PSI	GPM	Outlet	Inject.
8108.2559.00	2600	8.0	3/8" MPT	Y MV545 MV #0215009780
8108.2560.00	2600	8.0	M22M	Y MV545 MV #0215009820
8108.2561.00	2600	8.0	3/8" MPT	N MV546 MV #0215005510
8108.2562.00	2600	8.0	M22M	N MV546 MV #0215005520
8108.2555.00	3200	8.0	3/8" MPT	Y MV565 MV #0215006300
8108.2556.00	3200	8.0	M22M	Y MV565 MV #0215006320
8108.2558.00	3200	8.0	M22M	N MV566 MV #0215006520
8108.2563.00	3500	8.0	3/8" MPT	N MV566 MV #0215200240
8108.2550.00	3500	8.0	3/8" MPT	Y MV565 MV #0215200230
8108.2555.02	Repair Kit for MV565 Unloader MV #0215101020			
8108.2555.01	Chem Inj for MV565 Unloader MV #0203100020			
8108.2559.18	Chem Inj for MV545 Unloader MV #0203100041			

Banjo Inlet Kits

Part #	X-Offset	Y-Offset	Inlet
*8108.2570.00	0.0 mm	63 mm	1/2" FPT MV #0215200500
†8108.9158.00	4.5 mm	66 mm	1/2" FPT MV #0215200510
°8108.2572.00	19 mm	51 mm	1/2" FPT MV #0215200520
^8108.2573.00	0.0 mm	63 mm	3/8" FPT MV #0215200504

- * For Comet BW, LW, AW & ZW Series Pumps
- † For Comet FW & HW Series Pumps
- ° For Brands Other Than Comet Pumps
- ^ For Comet LW Misting Pumps

UNLOADERS - VB-55



- 8.0 GPM
- 3200 Rated PSI
- 3650 Max PSI
- 195° F Max
- Banjo Kit with Knob
- Box Qty 20

*Used on RW Pumps

Part #	Inlet	Outlet
8116.2520.00	3/8" BSP-F	3/8" BSP-F
8116.2520.01	Repair Kit, VB-55	

UNLOADERS - Flow Sensing K7

K7



- 165°F Max Temp
- 0-3000 PSI
- Eliminates Trapped Pressure Between Pump & Gun

Part #	GPM	Inlet	Outlet	By-Pass
8110.2503.00	2.9-4.2	3/8"F	3/8"M	3/8"F
8110.2504.00	4.2-6.6	3/8"F	3/8"M	3/8"F

UNLOADER - Mounting Block



- 4000 PSI Max
- 2 - 3/8" FPT Ports
- Solid Machined Part
- 5/16" x 18 Mounting Holes
- For Remote Mounting of Unloader Valves

Part #	Description
8102.0550.00	Remote Mounting Block, Brass
8102.0551.00	Remote Mounting Block, Aluminum
8102.0552.00	Remote Mounting Block, Zinc Plated

VALVES - Ball, Shut-Off



- 7400 PSI, Industrial Duty
- Chrome Plated Steel Ball
- Zinc Plated Steel Body
- 212° F

Part #	Description	GPM
8109.2601.00	1/4" FPT x 1/4" F	2.64
8109.2602.00	3/8" FPT x 3/8" F	6.60
8109.2603.00	1/2" FPT x 1/2" F	10.57

VALVES - Ball, Shut-Off



- 7000 PSI
- Stainless Steel Body
- 212° F

Part #	Description
8102.2640.00	Ball Valve, 3/8" FPT x 3/8" FPT

VALVES - Ball, Shut-Off



- 3000 PSI
- Brass Body
- 176° F
- Box Qty 5

Part #	Description
8107.2630.00	Ball Valve, 3/8" x 3/8"
8107.2631.00	Ball Valve, 1/2" x 1/2"

VALVES - EZ Start



- Release Trapped System Pressure
- For Starting Gasoline Engines
- 8 GPM
- 4100 PSI Max
- 195° F
- Box Qty 10

Part #	Description
8107.1750.00	3/8" MPT EZ Valve w/ Hose Barb

VALVES - EZ Start



- Release Trapped System Pressure
- For Starting Gasoline Engines
- 3500 PSI Max

Part #	Description
8102.1750.00	3/8" MPT EZ Valve w/ Hose Barb

VALVES - Metering



- Precise Chemical Metering
- 3 GPM
- 440 PSI Max.
- 100° F Max. Temp.
- Box Qty 25

Part #	Description
8107.3400.00	Metering Valve, 1/4" M
8107.3401.00	Metering Valve, 1/4" F

VALVES - Jetter



- Converts Triplex pump to Duplex Pump
- Replaces Inlet Valve Cap

Part #	Used on Pump
0608.0034.00	LW, FW & ZW up to 3200 psi
0608.0035.00	HW, ZW & SW over 3600 psi
0608.0036.00	TW up to 3600 psi
0608.0037.00	TW over 4000 psi

VALVE - Pressure Regulating



- VRP 600
- 21 GPM
- 8100 Rated PSI
- 8700 Max PSI
- 195 ° F Max

Part #	Inlet	Outlet	By-Pass
8116.2506.00	1/2" BSP-F	1/2" BSP-F	1/2" BSP-F

VALVES - Pressure Relief



Part #	Description
8107.2620.00	1/4" M Inlet, 6.3 GPM, 2200 PSI, 195° F
8102.2621.00	3/8" MPT, 6 GPM, 6000 PSI, 195° F

VALVES - Pressure Relief



- 8 GPM
- 3600 PSI
- 200° F
- MV 510

Part #	Description
8108.2600.00	Valve, 1/4" Inlet/Outlet MV #0215000000
8108.9137.00	Repair Kit MV #0215100000

VALVES - Pressure Relief



- 6.6 GPM
- 4060 PSI
- 194° F
- SVT 28

Part #	Description
8108.7620.00	Valve, 3/8" FPT Inlet x 2/Outlet MV #0215010190

VALVES - Pressure Relief



- 6.6 GPM
- 4060 PSI
- 194° F
- SVL 28

Part #	Description
8108.7621.00	Valve, 3/8" FPT Inlet/Outlet MV #0215010220

VALVES - Pressure Relief



- 8 GPM
- 3600 PSI
- 195° F
- Adjustable Pressure Relief
- Box Qty 25

Part #	Description
8107.2621.00	3/8" M, 1/4" M Discharge
8107.2621.01	3/8" M, 1/4" Barb Discharge

VALVE - Thermal Relief



- 200 PSI Max.
- 145° F Relief Temp.
- Protects Pumps from Overheating

Part #	Description
8102.1700.00	Thermal Relief Valve, 3/8"
8102.1701.00	Thermal Relief Valve, 1/2"

VALVE - Thermal Relief



- 145 PSI Max. Inlet Pressure
- 133° F Relief Temp.
- Protects Pumps from Overheating

Part #	Description
1215.0330.00	Thermal Relief Valve, 1/4"
1215.0354.00	Thermal Relief Valve, 3/8"
1215.0355.00	Thermal Relief Valve, 1/2"

WATER BROOM - 12"



- 1/4" QD Plug
- 4000 PSI

Part #	Description
8102.2500.00	Water Broom 12", 3 GPM, 3 Nozzles
8102.2501.00	Water Broom, 16", 4 GPM, 4 Nozzles
8113.3163.00	Nozzle, Meg 1/4" 6513

PRESSURE WASHERS

SCOUT - Hot Water



- 2 GPM
- 1300 PS
- 3400 RPM
- Brass Headed Pump
- 120V-60Hz-1 Phase
- 14 Amps
- Includes GFCI w/15' Cord
- 35' Rubber Hose
- Professional Gun/Lance
- Includes Hose Reel
- Diesel Burner

Part #	Description
9044.0011.00	Scout 135 Classic

STATIC - Cold Water



- 2.2 GPM
- 1300 PSI
- 115V/60Hz/1 Phase
- 14 Amps-1500W
- Gun & Lance w/VariJet
- Hose Reel w/65' (20m) Rubber Hose
- Turbo Nozzle, Foamer & Rotating Brush
- Wall Mountable

Part #	Description
9052.0007.00	Static 1700

TRACTOR PTO - Pressure Washer



- Complete Pressure Washer
- Includes Frame, Pump & Accessories
- 3 Point Hitch
- 550 RPM Power Take-Off
- Frame Folds For Shipping

Part #	Description
9045.0001.00	PTO 12/120 w/Frame FW 5530 S
9045.0002.00	PTO 33/150 w/Frame TW 8030 S
9045.0003.00	PTO 23/200 w/Frame TWN 6036 S
9045.0004.00	PTO 21/200 w/Frame SW 5540 S
9045.0005.00	PTO 30/170 w/Frame TWN 8025 S
9045.0006.00	PTO 12/120 FW 5530 S, 5.6 @ 3000
9045.0007.00	PTO 33/150 TW 8030 S, 8.8 @ 2175
9045.0008.00	PTO 23/200 TWN 6036 S, 8.7@3000
9045.0009.00	PTO 21/200 SW 5540 S, 5.6 @ 3000
9045.0010.00	PTO 30/170 TWN 8025 S, 8 @ 2500
5005.0242.00	Gear Box, 550 RPM
5003.0050.00*	Kit, Conversion, 1000 RPM
8102.1801.00	Oil, Gear Box, Bottle
8102.1802.00	Oil, Gear Box, Case of 12

***Needed with Gear Box to convert to 1000 RPM for TWN PTO**

Conversion Tables & Formulas

Weights & Volumes			Torque			Length Calculations		
Gal.	x 3.785	= Liters	NM	= .Ft./lb.	x 1.35	.001 in.	x 25.4	= Microns
Gal.	x 128	= Ounces	Ft./lb.	= .NM	/ 1.35	In.	x 25.4	= MM
Gal	x 231	= Cu. In.	In./lb.	= Ft./lb	x 12	MM	x .03937	= Inches
Gal.	x 8.3453	= Pounds				Belt Length =	2 x CD+D+d	x 1.57
Ltr.	x 61.02	= Cu. In.						
Ltr.	x 33.82	= Ounces						
Ltr	x .2642	= Gallons						
Ltr.	x 1000	= Cubic CM						
ML (CC)	x .0338	= Ounces						
Gram	x .03527	= Ounces						
PSI	x .0680	= bar.						
Bar	x 14.5	= PSI						
In. HG	x .4912	= PSI						
In. H ₂ O	x .8226	= In. HG						

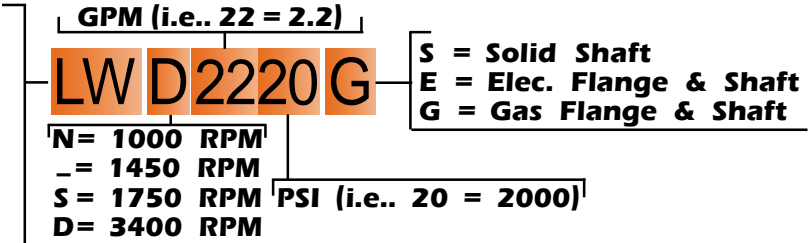
Temperatures			Required Horsepower		
°C	=	.555(°F-32)	$\frac{GPM \times PSI}{1460}$	=	Elec. Brake HP
°F	=	(1.8*°C)+32	$\frac{GPM \times PSI}{1714}$	=	Hydraulic HP
			$\frac{GPM \times PSI}{1100}$	=	Gasoline HP

Nozzles		
Nozzle #	=	$GPM \sqrt{\frac{4000}{PSI}}$
GPM	=	Nozzle # $\sqrt{\frac{PSI}{4000}}$
PSI	=	4000 x $\left(\frac{GPM}{\text{Nozzle \#}}\right)^2$

Pulley Ratio	
$\frac{\text{Motor Pulley OD}}{\text{Pump RPM}}$	= $\frac{\text{Pump RPM}}{\text{Motor Pulley OD}}$

Sample Pump Model Number LWD 2220

- BX = Small Axial**
- BW = Small Frame**
- VRX = Small Vertical**
- AX = Large Axial**
- AW = Small Frame**
- LW = Small Frame**
- ZW = Large Frame**
- FW = Large Frame**
- HW = Large Frame**
- RW = Premium Series**
- SW = Premium Series**
- TW = Premium Series**



Index

A		D		H	
Accumulators	39,65	Dip Sticks	29	Hi-Lo Nozzles	63
Adjustable Thermostat	68	Dual Lances	52,53	Hobby Kit	51
Aluminum Lances	54	E		Hose Barbs	44
Anti-Fatigue Strap & Belt	57	Easy Start Valve	72	Hose Reel Swivels	51
Anti-Freeze	29,40	Engine Shaft Keys	43	Hose Reels	51
AW Pumps	12	Engine Throttle Control	68	Hoses	51
AW Pump Repair Kits	12,29,30	Extraction Tools	65	Hose Assembly-Soap	43
AX Series Pumps	5,6,28	F		Hot Water Seal Kits	30
AX Pump Repair Kits	6,29,30	Filters		HPP Pump ..	31,32,33,34,35,36,37
Axle Caps	40	Chemical	43	HW Series Pumps	18,19,20
B		High Pressure	43	HW Pump Repair Kits	19,20,30
Ball Valves	72	Hose Soap Assy	43	I	
Bell Housing	45	HPP Filters	39	Inlet Filters	44
Belt	41	Inlet	44	Injectors	51,52
Block, Unloader Mounting	72	Suction, Tank	44	Insertion Tools	65
Brass Fittings	44	Y-Intake	44	J	
Brushes	40	Fitting Kit	44	Jetter Nozzles	62
Burner Rings	40	Fittings, Misc.	44	Jetter Valve	72
Burner Ring Nozzle	40	Flex Coupler	45	Jets-Gas	40
Bushing	41	Float Tanks & Valves	45	K	
BW Pumps	7,8	Flow Switches	67	Keys, Engine	43
BW Pump Repair Kits	8,29,30	Foam Injector Nozzle	45	L	
BX Pumps	3,4	Foot Valve	39	Lances	
BX Pump Repair Kits	4,29,30	FW Series Pumps	15,16,17,20	Aluminum	54
C		FW Pump Repair Kit	17,20,30	Dual Lances	52,53
Carts & Components	40,41	G		Extensions	56
Chem. Filter & Hose Assy.	43	Garden Hose Fittings	45	Flex	55
Chemical Injectors	51,52	Gasket, Manifold	29	Gutter	55
Chemical Metering Valve	72	Gauges, Pressure	39,45	Molded Grip Lances	53,54
Chemical Spray Nozzles	58	Gear Reducers	46	Non-Molded Lances	54,55
Chemical Suction Filters	43	Gear Reduced Pumps	20	Side Grip Handles	56
Clutch & Plates	41	GFCI	46	Telescoping	56,57
Concrete Cleaners	66,67	Grommet	40	Tip Holder	57
16" w/ Brush	66	Guns, Extensions	46,49	Two Piece	55
20" w/ Brush	66	Gun Lance Combo Guns	39,49,50	Vented Grip Lances	55
Conversion &		Guns, Triggerless	47	Wand Saver	56
Calculation Chart	75	Gun, Trigger Lock	46	Lock, Thread	68
Couplers		Guns, Trigger	46,47,48,49	Love Joy Couplers	45
Flex	45	Guns, Weep	46,48	LW Series Pumps	9,10,11,20,28
Insulated	41	Gutter Cleaner, Lance	55	LW Pump Repair Kits	11,29,30
O-Ring	41				
Quick Connect	41				
Swivel	42				
Twist Connect	42,43				
Coupling, Ball QC	43				

Index

T		U		W	
Tank	45	Unloader Valves 38,68,69,70,71,72		Wands	52,53,54,55,56,57
Teflon Tape	68	With Built in Easy Start . 68,69,70		Water Broom	73
Telescoping Wands	56,57	Flow Sensing	72	Water Filters	43,44
TW-Belt	57	Trapped Pressure	69,70,71	Wheels, Carts	40
Thermal Relief Valves	73	Unloader Mounting Block	72	Whirl-A-Way Surface Cleaner ...	66
Thermostat	68	V		Y	
Thread Lock	68	Vacuum Switches	67	Y Strainers	44
Throttle Control	68	Valves		Z	
Tires	40	Ball	72	ZW Series Pumps	13,14,20
Tools		Chemical Metering	72	ZW Pump Repair Kits	14,30
Packing Extraction Tools	65	Easy Start	72		
Packing Insertion Tools	65	Float	45		
Trigger Lock	46	Foot	39		
Trigger Spray Guns	46,47,48,49	Jetter	72		
TW Series Pumps	26,27	Non-return	38		
TW Pump Repair Kits	27,30	Pneumatic	38		
Twist Couplers	42,43	Pressure Relief	38,73		
Twist Plugs	42,43	Safety Relief	38,73		
Two-Piece Lances	55	Thermal Relief	73		
		Vented Grip Lances	55		
		VRX Series Pumps	1,2		
		VRX Pump Repair Kits	2,30		