



*You Can Count on **COMET QUALITY.***

#2408



PUMPS AND ACCESSORIES



www.cometpump.com

Table of Contents

General Information

Conversion & Calculation Charts	50
How To Read Comet Part Number	50
Comet Product Limited Warranty	C3
Comet Sales Policy	C3

Comet Pumps

VRX Pumps (Vertical)	1
BXD Pumps (Axial)	2
AX Pumps (Axial)	3-4
LW Pumps	5-8
ZWD Pumps (3400 RPM)	9-10
FW Pumps	11-13
HW Pumps (1450 RPM)	14-15
Pumps-Bolt-On Unloaders	16
Gear Reducer Pumps	16

Premium Series

RW Pumps	17-18
SW Pumps	19
TW Pumps	20-21

Misting Pumps

Misting Pumps	21-22
---------------------	-------

Pump Accessories

Pump Oil	22
Anti-Freeze	22
Gasket	22
Pump Repair Kits	23

HPP Pumps

C-Series Pumps	24
ECH-Series Pumps	24
ECHR-Series Pumps	25
EL-Series Pumps	25
ELR-Series Pumps	26
EV-Series Pumps	26
GL-Series Pumps	27
GLR-Series Pumps	27
SL-Series Pumps	28
SLR-Series Pumps	28

Parts & Accessories

Anti-Freeze	29
Burner Rings	29
Carts & Components	29
O-Rings, Coupler	29
Couplers & Plugs	29-30
Couplers Twist & OC	30
Engine Keys	31
Filters & Strainers	31-32
Fittings	32
Float Tanks & Valves	32
Gauges, Pressure	32
Gear Reducers	32-33
GFI	33
Open Trigger Lock	33
Spray Guns	33-34
Extensions, Spray Guns	34
Gun Lance Combo	34-35
MT4 Accessories	35
Gutter Cleaner	35
Hobby Kit	35
Hose Assemblies	35
Hose Reels & Swivels	36
Injectors	36
Karcher Accessories	37
KEW Accessories	37
Lances	37-40
Lance Accessories	39-40
Nozzles	40-43
Nozzle Tip Holders	43-44
Oil, Pump	44
Packing Repair Tools	44
Pulsation Dampeners	44
Rotating Brush	44
Sand Blasters	44-45
Sludge Pumps	45
Surface Cleaners	45-46
Switches	46
Swivels	46
Teflon Tape	46
Thread Lock	46
Thermostats	47
Throttle Controls	47
Unloader Valves	47-48
Unloader Mounting Block	48
Valves	49
Water Broom	49

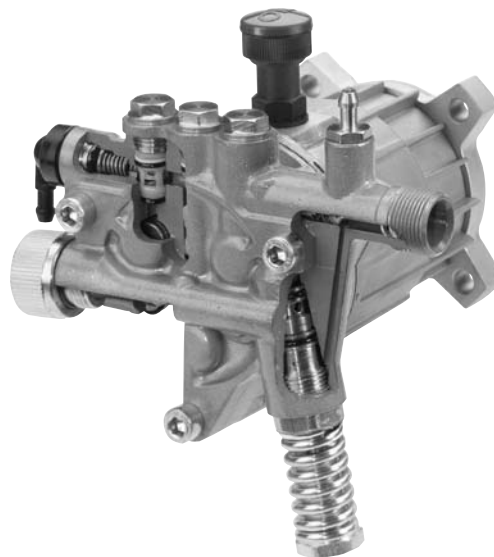
VRX

Consumer Series Pumps



-Vertical

- Brass Head
- Special Aluminum Alloy Head with High Resistance to Corrosion (VRX 2017 V only)
- Built in Unloader with Chemical Injector
- Built in Easy Start
- Thermal Relief Valve (Optional)



-Horizontal

- High Efficiency Suction-Delivery Valves
- Stainless Steel Plungers
- Garden Hose Tail (Optional Brass or Plastic)
- Aluminum Crankcase without Need of Oil Replacement

VRX

Vertical Pumps

<u>PART #</u>	<u>MODEL #</u>	<u>GPM</u>	<u>PSI</u>	<u>RPM</u>	<u>SHAFT</u>	<u>PISTON</u>	<u>WT.</u>
6511.0012.00	VRX 2017 V L46 AL	2.0	1700	3200	7/8"	14mm	5.3
6511.0024.00	VRX 2017 V L46 AL	2.1	1700	3400	7/8"	14mm	5.3
6511.0023.00	VRX 2017 V L80 AL	2.0	1700	3200	7/8"	14mm	5.3
6511.0004.00	VRX 2022 V L46	2.0	2200	3200	7/8"	14mm	7.7
6511.0003.00	VRX 2022 V L80	2.0	2200	3200	7/8"	14mm	7.7
6511.0008.00	VRX 2422 V L80	2.3	2200	3200	7/8"	14mm	7.7

VRX

Horizontal Pumps

<u>PART #</u>	<u>MODEL #</u>	<u>GPM</u>	<u>PSI</u>	<u>RPM</u>	<u>SHAFT</u>	<u>PISTON</u>	<u>WT.</u>
6511.0005.00	VRX 2522 G	2.4	2200	3400	3/4"	14mm	7.7
6511.0015.00	VRX 2524 G	2.4	2400	3400	3/4"	14mm	7.7
6511.0020.00	VRX 2225 G TR	2.2	2500	3400	3/4"	14mm	7.7
6511.0025.00	VRX 2527 G	2.5	2700	3400	3/4"	14mm	7.7

***TR-Thermal Relief**

VRX Repair Kits

5026.0260.00	Piston Kit, All VRX Pumps
5026.0256.00	Piston Seal Kit, 2200+ PSI
5026.0265.00	Piston Seal Kit, 1700 PSI

5026.0257.00	Valve Kit, 2200 PSI
5026.0263.00	Valve Kit, 1700 PSI
5026.0270.00	Valve Kit, 2400+ PSI

BX SERIES Commercial-Duty Axial Pumps



3400 RPM – 3/4" Hollow Shaft

- 1/2" FGH Inlet – 3/8" MPT Outlet
 - Built-in Uniflow Unloader and Chemical Injector
 - Built-in Easy Start
 - Quick Mount Flange
 - Stainless Steel Plungers (Ceramic Optional)
 - Optional Built-in Garden Hose Adapter
 - Steel Shaft with Built-in Key
 - Optional Built-in Thermal Protector & Press. Relief
 - One Oil Cap for Travel and Operation
 - Stainless Steel Check Valves
 - Forged Brass Manifold
 - Patent Registered Ball Bearing Design
- **Pallet Qty 72 (Boxed or Egg-Crated)**

- Additional Flows & Pressures are Available Upon Request

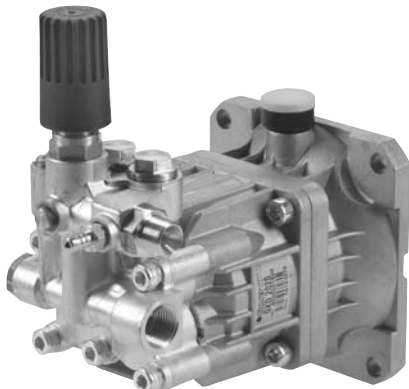
Takes 4.5 Ounces Pump Oil

<u>PART #</u>	<u>MODEL #</u>	<u>GPM</u>	<u>PSI</u>	<u>RPM</u>	<u>SHAFT</u>	<u>WT.</u>
6525.0003.00	BXD 2220 G	2.2	2000	3400	3/4" Hollow	11.0
6525.0004.00	BXD 3020 G	2.8	2000	3400	3/4" Hollow	11.0
6525.0001.00	BXD 2525 G	2.2	2500	3400	3/4" Hollow	11.0
6525.0005.00	BXD 3025 G	2.8	2500	3400	3/4" Hollow	11.0
6525.0002.00	BXD 2527 G	2.4	2700	3400	3/4" Hollow	11.0

BXD Repair Kits

5019.0667.00	Seal Kit, Water
5025.0027.00	Check Valve Kit
1215.0393.00	Unloader Valve Kit

3400 RPM-NEMA 56C-5/8" Hollow



- 1/2" FGH Inlet – 3/8" MPT Outlet
 - Built-in Uniflow Unloader and Chemical Injector
 - Built-in Easy Start
 - Stainless Steel Plungers (Ceramic Optional)
 - Optional Built-in Garden Hose Adapter
 - Steel Shaft with Built-in Key
 - Optional Built-in Thermal Protector & Press. Relief
 - One Oil Cap for Travel and Operation
 - Stainless Steel Check Valves
 - Forged Brass Manifold
 - Patent Registered Ball Bearing Design
- **Pallet Qty 100 (Boxed or Egg-Crated)**

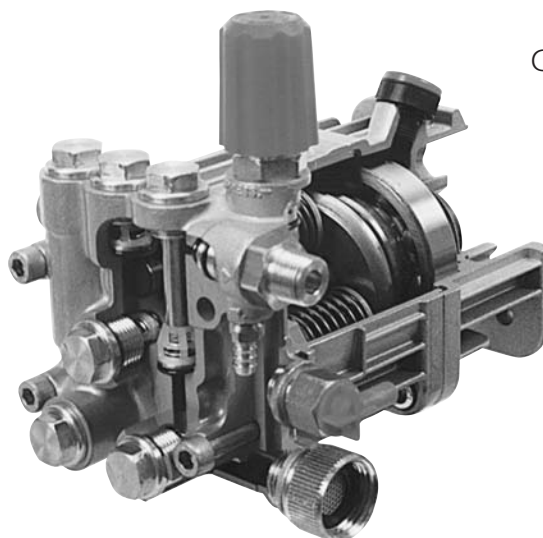
<u>PART #</u>	<u>MODEL #</u>	<u>GPM</u>	<u>PSI</u>	<u>RPM</u>	<u>SHAFT</u>	<u>WT.</u>
6525.0010.00	BXD 2020 E	1.9	2000	3400	5/8" Hollow	11.0
6525.0011.00	BXD 2520 E	2.5	2000	3400	5/8" Hollow	11.0
6525.0012.00	BXD 3020 E	2.8	2000	3400	5/8" Hollow	11.0

BXD Repair Kits

5019.0671.00	Seal Kit, Water
5025.0027.00	Check Valve Kit
1215.0391.00	Unloader Valve Kit

AX SERIES Commercial-Duty Axial Pumps

- Built-in Uniflow Unloader and Chemical Injector with Inner Stainless Steel Parts
- Abrasion Proof, Heat Resistant, Industrial Ceramic Plungers
- Stainless Steel Unitized Check Valves
- Forged Brass Manifold



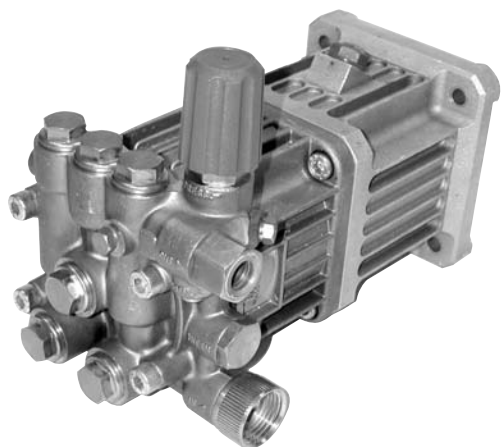
- Industrial Duty Construction for Extended Life
- Patent Registered Ball Bearing Design
- Optional Built-in Thermal Protector & Pressure Relief Valve
- Built-in Garden Hose Adapter
- Double-Sealing Buna-Textile V-Packing

- Additional Flows & Pressures are Available Upon Request

Takes 6 Ounces Pump Oil

AXD

Series Pumps-Gas



3400 RPM – 3/4" Hollow Shaft

- 3/4" FGH Inlet – 3/8" MPT Outlet
- Built-in Uniflow Unloader and Chemical Injector
- Ceramic Plungers
- Built-in Garden Hose Adapter
- Industrial Duty Construction for Extended Life
- Optional Built-in Thermal Protector & Pressure Relief
- Stainless Steel Check Valves
- Forged Brass Manifold
- Patent Registered Ball Bearing Design
- **Pallet Qty: 100-Boxed; 96-Egg-Crated**

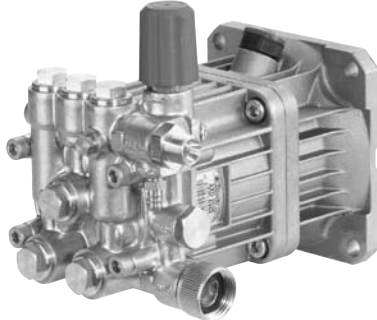
PART #	MODEL #	GPM	PSI	RPM	SHAFT	WT.
6501.0018.00	AXD 2518 G-T	2.4	1800	3400	3/4" Hollow	12.0
6501.0005.00	AXD 3020 G	2.7	2000	3400	3/4" Hollow	12.0
6501.0008.00	AXD 3522 G	3.3	2200	3400	3/4" Hollow	12.0
6501.0051.00	AXD 2524 G	2.4	2400	3400	3/4" Hollow	12.0
6501.0050.00	AXD 2524 G-T	2.4	2400	3400	3/4" Hollow	12.0
6501.0006.00	AXD 3025 G	2.9	2500	3400	3/4" Hollow	12.0
6501.0017.00	AXD 3525 G	3.3	2500	3400	3/4" Hollow	12.0
6501.0063.00	AXD 2427 G	2.4	2700	3400	3/4" Hollow	12.0
6501.0025.00	AXD 2527 G	2.5	2700	3400	3/4" Hollow	12.0
6501.0059.00	AXD 2527 G-T	2.5	2700	3400	3/4" Hollow	12.0

"T" Denotes Stainless Steel Pistons

AXS/D

Series Pumps-Electric

**1750 & 3400 RPM –
5/8" & 3/4" Hollow Shaft**



- 3/4" FGH Inlet – 3/8" MPT Outlet
- Built-in Uniflow Unloader and Chemical Injector
- Ceramic Plungers
- Built-in Garden Hose Adapter
- Industrial Duty Construction for Extended Life
- Optional Built-in Thermal Protector & Pressure Relief
- Stainless Steel Check Valves
- Forged Brass Manifold
- Patent Registered Ball Bearing Design
- NEMA 56C Electric Motor Flange
- **Pallet Qty: 90-Boxed; 70-Egg-Crated;**
- ***Exceptions below**

<u>PART #</u>	<u>MODEL #</u>	<u>GPM</u>	<u>PSI</u>	<u>RPM</u>	<u>SHAFT</u>	<u>WT.</u>
6502.0009.00	AXS 0415 E	0.4	1500	1750	5/8" Hollow	12.0
6502.0010.00	AXS 0615 E	0.6	1500	1750	5/8" Hollow	12.0
6502.0005.00	AXS 1015 E	0.9	1500	1750	5/8" Hollow	12.0
6502.0008.00	AXS 1315 E	1.3	1500	1750	5/8" Hollow	12.0
6502.0006.00	AXS 2015 E	1.7	1500	1750	5/8" Hollow	12.0
6501.0038.00*	AXD 2020 E	1.7	2000	3400	5/8" Hollow	12.0 *72 Egg-Crated
6501.0010.00	AXD 2020 E	1.9	2000	3400	5/8" Hollow	12.0
6501.0012.00	AXD 2520 E	2.5	2000	3400	5/8" Hollow	12.0 *96 Boxed
6501.0013.00	AXD 3020 E	2.9	2000	3400	5/8" Hollow	12.0
6501.0087.00	AXD 3020 GE	2.9	2000	3400	3/4" Hollow	12.0
6501.0090.00	AXD 2527 GE	2.5	2700	3400	3/4" Hollow	12.0

*5.5 Degree Cam

AXD

Series Pumps-Gas



3400 RPM – 1" Hollow Shafts

- 3/4" FGH Inlet – 3/8" MPT Outlet
- Built-in Uniflow Unloader and Chemical Injector
- Ceramic Plungers
- Built-in Garden Hose Adapter
- Industrial Duty Construction for Extended Life
- Optional Built-in Thermal Protector & Pressure Relief
- Stainless Steel Check Valves
- Forged Brass Manifold
- Patent Registered Ball Bearing Design
- **Pallet Qty: 70-Boxed; 70-Egg-Crated**

<u>PART #</u>	<u>MODEL #</u>	<u>GPM</u>	<u>PSI</u>	<u>RPM</u>	<u>SHAFT</u>	<u>WT.</u>
6501.0024.00	AXD 3030 G	2.9	3000	3400	1" Hollow	14.5
6501.0027.00	AXD 3530 G	3.3	3000	3400	1" Hollow	14.5
6501.0023.00	AXD 4030 G	3.7	3000	3400	1" Hollow	14.5

AXD Repair Kits

AXD up to 2400 PSI Repair Kits

- 5019.0077.00** Seal Kit up to 2400 psi models
- 5026.0143.00** Unloader Rebuild Kit
- 5025.0014.00** Check Valve Kit universal
- 2409.0092.00** Piston Kit
- 5019.0079.00** Seal Kit, Oil

AXD 2500+ PSI Repair Kits

- 5019.0078.00** Seal Kit HP 2500+ psi Only
- 5026.0143.00** Unloader Rebuild Kit
- 5025.0014.00** Check Valve Kit Universal
- 2409.0092.00** Piston Kit
- 5019.0079.00** Seal Kit, Oil

AXD 3000 PSI Repair Kits

- 5019.0086.00** Seal Kit HP 3000 psi only
- 5026.0143.00** Unloader Rebuild Kit
- 5025.0014.00** Check Valve Kit universal
- 2409.0103.00** Piston Kit 3000 psi only
- 5019.0079.00** Seal Kit, Oil

LW SERIES

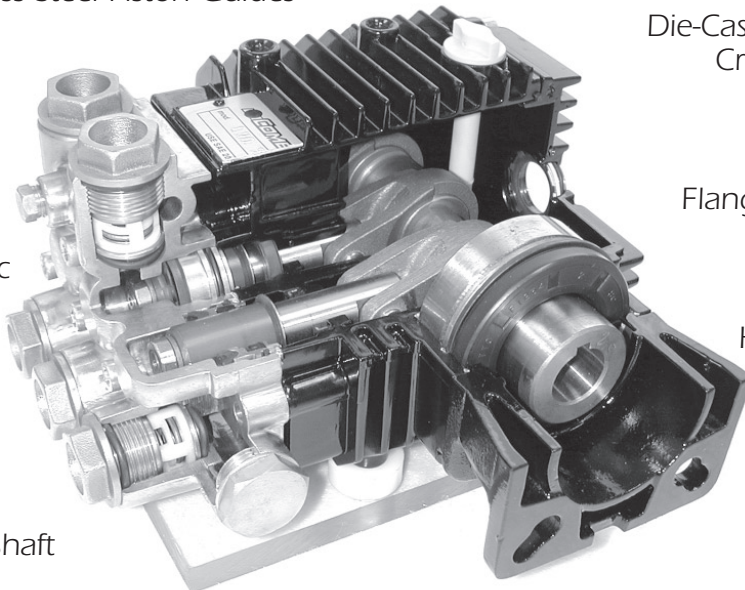
Industrial Duty Plunger Pumps

1450 RPM

1750 RPM

3400 RPM

- Forged Bronze Connecting Rods with Lifetime Warranty
- Hardened Stainless Steel Piston Guides
- High Efficiency Stainless Steel Check Valves
- Abrasion Proof, Heat Resistant, Industrial Ceramic Plungers
- High Quality Buna-Textile Double-Sealing V-Packings
- Solid or Hollow Shaft



- Reversible Crankshaft for Easy Right or Left Hand Mounting
- Die-Cast, Anodized Aluminum Crankshaft-Fin Design for Optimal Operating Temperature
- Flange for Direct Mounting to Gas Engines or Electric Motors
- High Quality Oversized Ball Bearings
- Optimal Oil Bath for High Speed Operation

Takes 11 Ounces Pump Oil

LW

Series Pumps-Solid Shaft

1450 RPM - 24mm Solid Shaft



- 1/2" FPT Inlet, 3/8" FPT Discharge
- Anodized, Die-Cast Aluminum Crankcase
- Solid Ceramic Plungers
- Stainless Steel Check Valves & Piston Guides
- Buna-Textile V-Packings
- Reversible Crankcase for Right or Left Hand Mounting
- 24mm Solid, Keyed Shaft
- **Pallet Qty 100 (Boxed or Egg-Crated)**

PART #	MODEL #	GPM	PSI	RPM	SHAFT	PISTON	WT.
6300.1501.00	LW 0509 S	0.5	1500	1450	24mm Solid	15mm	13.4
6300.1401.00	LW 1009 S	1.0	1500	1450	24mm Solid	18mm	13.4
6300.1601.00	LW 1509 S	1.5	1500	1450	24mm Solid	18mm	13.4
6300.0502.00	LW 2020 S	2.1	2000	1450	24mm Solid	15mm	13.4
6300.0303.00	LW 3020 S	3.0	2000	1450	24mm Solid	18mm	13.4
6300.0700.00	LW 3025 S	3.0	2500	1450	24mm Solid	18mm	13.4
6300.0800.00	LW 3525 S	3.5	2500	1450	24mm Solid	18mm	13.4

LW Series Mounting Rail Kits

5011.0184.00
5011.0216.00

Standard Rail Kit for LW Series Pumps
Tall Rail Kit for LW Series Pumps

LW Series Repair Kits

5019.0035.00 LW Seal Kit, 15mm
5019.0037.00 LW Seal Kit, 18mm
5019.0040.00 LW Oil Seal Kit Solid Shaft

2409.0071.00 LW Piston Kit, 15mm
2409.0072.00 LW Piston Kit, 18mm
5025.0011.00 LW Check Valve Kit

LWS

Series Pumps-Solid Shaft



1750 RPM - 24mm Solid Shaft

- 1/2" FPT Inlet, 3/8" FPT Discharge
- Anodized, Die-Cast Aluminum Crankcase
- Solid Ceramic Plungers
- Stainless Steel Check Valves & Piston Guides
- Buna-Textile V-Packings
- Reversible Crankcase for Right or Left Hand Mounting
- 24mm Solid, Keyed Shaft
- **Pallet Qty 100 (Boxed or Egg-Crated)**

<u>PART #</u>	<u>MODEL #</u>	<u>GPM</u>	<u>PSI</u>	<u>RPM</u>	<u>SHAFT</u>	<u>PISTON</u>	<u>WT.</u>
6301.2700.00	LWS 0609 S	0.6	1500	1750	24mm Solid	15mm	13.4
6301.2500.00	LWS 1209 S	1.2	1500	1750	24mm Solid	18mm	13.4
6301.2600.00	LWS 1809 S	1.8	1500	1750	24mm Solid	18mm	13.4
6301.0101.00	LWS 2020 S	2.2	2000	1750	24mm Solid	15mm	13.4
6301.0601.00	LWS 3020 S	3.1	2000	1750	24mm Solid	18mm	13.4
6301.1400.00	LWS 4020 S	4.0	2000	1750	24mm Solid	18mm	13.4
6301.1300.00	LWS 3025 S	3.2	2500	1750	24mm Solid	18mm	13.4
6301.1201.00	LWS 3525 S	3.5	2500	1750	24mm Solid	18mm	13.4

Pump with Built-In Unloader

6301.1350.00	LWS 3025 S-K3.2		2500	1750	24mm Solid	18mm	17.0 *97 Egg-Crated
---------------------	-----------------	--	------	------	------------	------	---------------------

LW Series Mounting Rail Kits

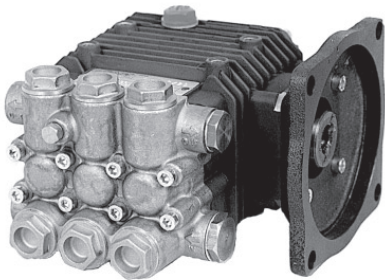
5011.0184.00	Mounting Rail Kit for LW Series Pumps
5011.0216.00	Tall Rail Kit for LW Series Pumps

LW Series Repair Kits

5019.0035.00	LW Seal Kit, 15mm	2409.0071.00	LW Piston Kit, 15mm
5019.0037.00	LW Seal Kit, 18mm	2409.0072.00	LW Piston Kit, 18mm
5019.0040.00	LW Oil Seal Kit Solid Shaft	5025.0011.00	Check Valve Kit

LWS

Series Pumps-Electric



1750 RPM - NEMA 56C - 5/8" or 3/4" Hollow Shaft

- 1/2" FPT Inlet, 3/8" FPT Discharge
- Anodized, Die-Cast Aluminum Crankcase
- Solid Ceramic Plungers
- Stainless Steel Check Valves & Piston Guides
- Buna-Textile V-Packings
- Reversible Crankcase for Right or Left Hand Mounting
- NEMA 56C Electric Motor Flange with 5/8" Hollow Shaft
- **Pallet Qty 100 (Boxed or Egg-Crated)**

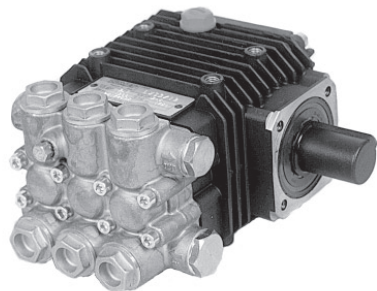
<u>PART #</u>	<u>MODEL #</u>	<u>GPM</u>	<u>PSI</u>	<u>RPM</u>	<u>SHAFT</u>	<u>PISTON</u>	<u>WT.</u>
6301.2701.00	LWS 0609 E	0.6	1500	1750	5/8" Hollow	15mm	13.4
6301.2501.00	LWS 1209 E	1.2	1500	1750	5/8" Hollow	18mm	13.4
6301.2601.00	LWS 1809 E	1.8	1500	1750	5/8" Hollow	18mm	13.4
6301.2300.00	LWS 0409 GE0.4		1500	1750	3/4" Hollow	18mm	13.4
6301.0102.00	LWS 2020 E	2.2	2000	1750	5/8" Hollow	15mm	13.4
6301.0604.00	LWS 3020 E	3.0	2000	1750	5/8" Hollow	18mm	13.4
6301.0602.00	LWS 3520 E	3.6	2000	1750	5/8" Hollow	18mm	13.4

LW Series Repair Kits

5019.0035.00	LW Seal Kit, 15mm	2409.0071.00	LW Piston Kit, 15mm
5019.0037.00	LW Seal Kit, 18mm	2409.0072.00	LW Piston Kit, 18mm
5019.0041.00	LW Oil Seal Kit Hollow Shaft	5025.0011.00	Check Valve Kit

LWD

Series Pumps-Solid Shaft



3400 RPM - 24mm Solid Shaft

- 1/2" FPT Inlet, 3/8" FPT Discharge
 - Anodized, Die-Cast Aluminum Crankcase
 - Solid Ceramic Plungers
 - Stainless Steel Check Valves & Piston Guides
 - Buna-Textile V-Packings
 - Reversible Crankcase for Right or Left Hand Mounting
 - 24mm Solid, Keyed Shaft
- **Pallet Qty 100 (Boxed or Egg-Crated)**

<u>PART #</u>	<u>MODEL #</u>	<u>GPM</u>	<u>PSI</u>	<u>RPM</u>	<u>SHAFT</u>	<u>PISTON</u>	<u>WT.</u>
6303.0507.00	LWD 3020 S	3.0	2000	3400	24mm Solid	15mm	13.4
6303.0903.00	LWD 4020 S	4.0	2000	3400	24mm Solid	15mm	13.4
6303.0803.00	LWD 3522 S	3.5	2200	3400	24mm Solid	15mm	13.4
6303.0702.00	LWD 3025 S	3.0	2500	3400	24mm Solid	15mm	13.4

LW Series Mounting Rail Kits

Mounting Rail Kit for LW Series Pumps

Tall Rail Kit for LW Series Pumps

5011.0184.00
5011.0216.00

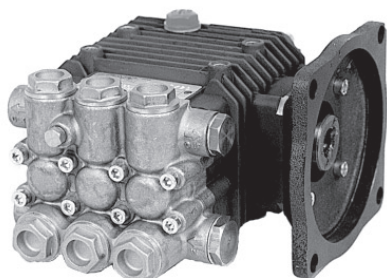
LW Series Repair Kits

5019.0035.00 LW Seal Kit, 15mm
5019.0040.00 LW Oil Seal Kit Solid Shaft

2409.0071.00 LW Piston Kit, 15mm
5025.0011.00 Check Valve Kit

LWD

Series Pumps-Electric



3400 RPM - NEMA 56C - 5/8" or 3/4" Hollow Shaft

- 1/2" FPT Inlet, 3/8" FPT Discharge
 - Anodized, Die-Cast Aluminum Crankcase
 - Solid Ceramic Plungers
 - Stainless Steel Check Valves & Piston Guides
 - Buna-Textile V-Packings
 - Reversible Crankcase for Right or Left Hand Mounting
 - NEMA 56C Electric Motor Flange with 5/8" or 3/4" Hollow Shaft
- **Pallet Qty 100 (Boxed or Egg-Crated)**

<u>PART #</u>	<u>MODEL #</u>	<u>GPM</u>	<u>PSI</u>	<u>RPM</u>	<u>SHAFT</u>	<u>PISTON</u>	<u>WT.</u>
6303.0105.00	LWD 2020 E	2.1	2000	3400	5/8" Hollow	15mm	13.4
6303.0156.00	LWD 2020 E-K	2.1	2000	3400	5/8" Hollow	15mm	13.4
6303.0509.00	LWD 3020 E	3.0	2000	3400	5/8" Hollow	15mm	13.4
6303.0806.00	LWD 3522 E	3.5	2200	3400	5/8" Hollow	15mm	13.4
6303.0804.00	LWD 3522 GE	3.5	2200	3400	3/4" Hollow	15mm	13.4

"A" Denotes aluminum manifold

"K" Denotes built-in unloader

LW Series Repair Kits

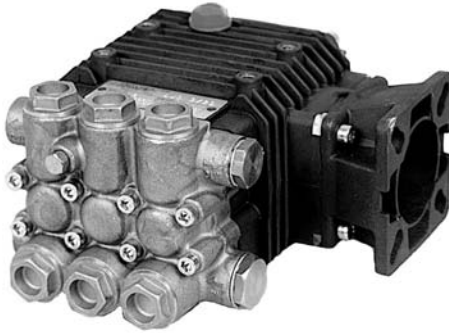
5019.0035.00 LW Seal Kit, 15mm
2409.0071.00 LW Piston Kit, 15mm
5025.0011.00 Check Valve Kit

5026.0130.00 Unloader Rebuild Kit
5026.0123.00 Unloader Maintenance Kit
5019.0041.00 LW Oil Seal Kit Hollow Shaft

LWD

Series Pumps-Gas

3400 RPM - Gas Engine Flange



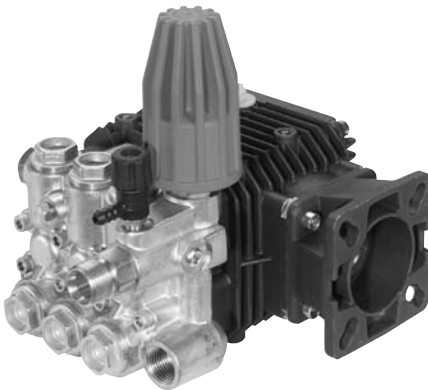
- 1/2" FPT Inlet, 3/8" FPT Discharge
 - Anodized, Die-Cast Aluminum Crankcase
 - Solid Ceramic Plungers
 - Stainless Steel Check Valves & Piston Guides
 - Buna-Textile V-Packings
 - Reversible Crankcase for Right or Left Hand Mounting
 - Gas Engine Mounting Flange with 3/4" Hollow Shaft
- **Pallet Qty 100 (Boxed or Egg-Crated)**

PART #	MODEL #	GPM	PSI	RPM	SHAFT	PISTON	WT.
6303.0104.00	LWD 2020 G	2.1	2000	3400	3/4" Hollow	15mm	13.4
6303.1600.00	LWD 2520 G	2.5	2000	3400	3/4" Hollow	15mm	13.4
6303.0508.00	LWD 3020 G	3.0	2200	3400	3/4" Hollow	15mm	13.4
6303.0802.00	LWD 3522 G	3.5	2200	3400	3/4" Hollow	15mm	13.4
6303.0701.00	LWD 3025 G	3.0	2500	3400	3/4" Hollow	15mm	13.4
6303.1700.00	LWD 2527 G	2.5	2700	3400	3/4" Hollow	15mm	13.4

LWD

Series Pumps-Gas

3400 RPM - Gas Engine Flange



- 1/2" FPT Inlet, 3/8" MPT Discharge
 - Anodized, Die-Cast Aluminum Crankcase
 - Solid Ceramic Plungers
 - Stainless Steel Check Valves & Piston Guides
 - Buna-Textile V-Packings
 - Reversible Crankcase for Right or Left Hand Mounting
 - Gas Engine Mounting Flange with 3/4" Hollow Shaft
- **Pallet Qty 60 (57 Egg-Crated)**

Pump with Built-In Unloader

PART #	MODEL #	GPM	PSI	RPM	SHAFT	PISTON	WT.
6303.0157.00	LWD 2020 G-K	2.1	2000	3400	3/4" Hollow	15mm	16.5
6303.1652.00	LWD 2520 G-K	2.5	2000	3400	3/4" Hollow	15mm	16.5
6303.0558.00	LWD 3020 G-K	3.0	2000	3400	3/4" Hollow	15mm	16.5
6303.0754.00	LWD 3025 G-K	3.0	2500	3400	3/4" Hollow	15mm	16.5
6303.0706.00	LWD 3025 G-RF	3.0	2500	3400	3/4" Hollow	15mm	16.5
6303.1751.00	LWD 2525 G-K	2.5	2700	3400	3/4" Hollow	15mm	16.5
6303.1750.00*	LWD 2525 G-K	2.5	2700	3400	3/4" Hollow	15mm	16.5
6303.2100.00	LWD 2527 G-RF	2.5	2700	3400	3/4" Hollow	15mm	16.5

*Fixed injector

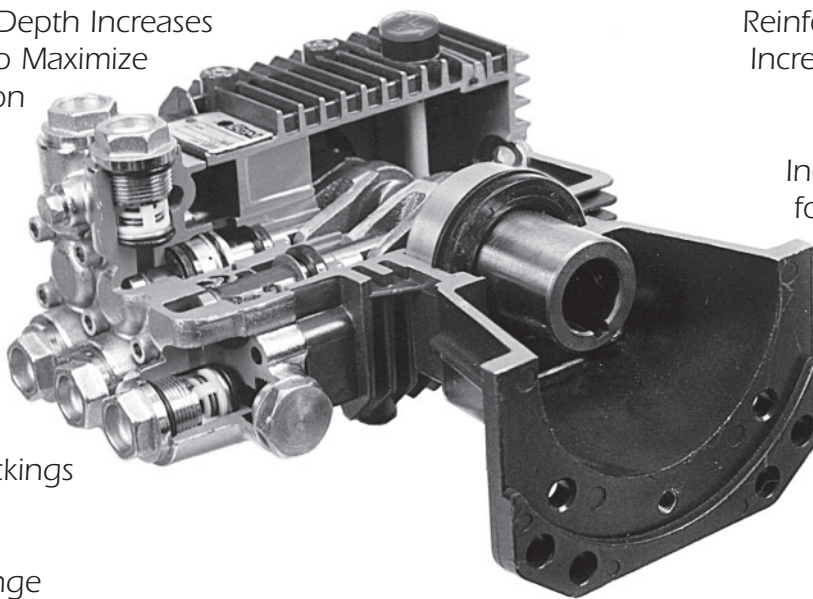
RF-Bolt-on Unloader

LW Series Repair Kits

5019.0035.00	LW Seal Kit, 15mm	5026.0130.00	Unloader Rebuild Kit
2409.0071.00	LW Piston Kit, 15mm	5026.0123.00	Unloader Maintenance Kit
5025.0011.00	Check Valve Kit	5019.0041.00	LW Oil Seal Kit Hollow Shaft

ZW SERIES Industrial Duty Plunger Pumps

- Increased Fin Depth Increases Surface Area to Maximize Heat Dissipation
- Stainless Steel Unitized Check Valves
- Heat-Resistant Solid Ceramic Plungers Operating on Lubricated Packings
- Direct Drive Mounting Flange



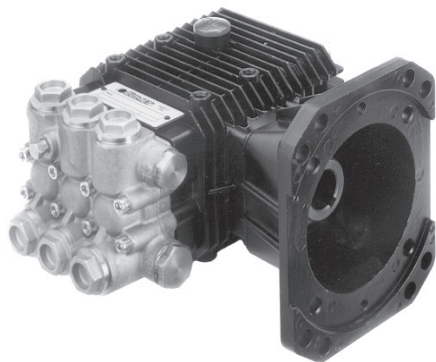
- Reinforced Crankcase for Increased Load Capacity
- Enlarged Crankcase Increases Oil Capacity for Better Lubrication and Lower Operating Temperatures
- One-Piece Industrial-Grade Oversized Bronze Connecting Rods

Takes 11 Ounces Pump Oil

ZWD

Series Pumps-Gas

3400 RPM - Gas Engine Flange

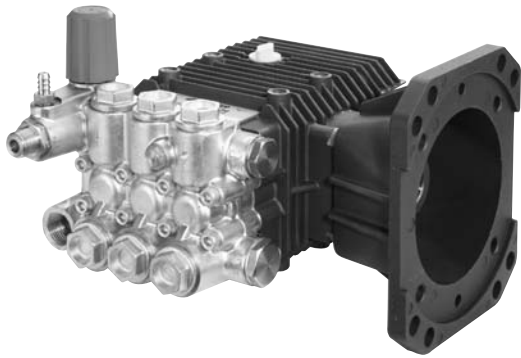


- 1/2" FPT Inlet, 3/8" FPT Discharge
- Anodized, Die-Cast Aluminum Crankcase
- Solid Ceramic Plungers
- Stainless Steel Check Valves
- Buna-Textile V-Packings
- Reversible Crankcase for Right or Left Hand Mounting
- Gas Engine Mounting Flange
- **Pallet Qty: 90-Boxed; 57-Egg-Crated**

PART #	MODEL #	GPM	PSI	RPM	SHAFT	PISTON	WT.
6305.0700.00	ZWD 2530 G	2.5	3200	3400	3/4" Hollow	15mm	16.5
6305.0104.00	ZWD 3030 G	3.0	3200	3400	3/4" Hollow	15mm	17.5
6305.0100.00	ZWD 3030 G	3.0	3200	3400	1" Hollow	15mm	17.5
6305.0400.00	ZWD 3530 G	3.5	3200	3400	1" Hollow	15mm	17.5
6305.0600.00	ZWD 4030 G	4.0	3200	3400	1" Hollow	15mm	17.5
6305.1100.00	ZWD 3040 G	3.0	4000	3400	1" Hollow	15mm	17.5
6305.1000.00	ZWD 3540 G	3.5	4000	3400	1" Hollow	15mm	17.5 *60 Egg-Crated
6305.0900.00	ZWD 4040 G	4.0	4000	3400	1" Hollow	15mm	17.5

ZWD

Series Pumps-Gas



3400 RPM - Gas Engine Flange

- 1/2" FPT Inlet, 3/8" MPT Discharge
 - Anodized, Die-Cast Aluminum Crankcase
 - Solid Ceramic Plungers
 - Stainless Steel Check Valves
 - Buna-Textile V-Packings
 - Reversible Crankcase for Right or Left Hand Mounting
 - Gas Engine Mounting Flange
- **Pallet Qty 60 (57 Egg-Crated)**

Pump with Built-In Unloader

<u>PART #</u>	<u>MODEL #</u>	<u>GPM</u>	<u>PSI</u>	<u>RPM</u>	<u>SHAFT</u>	<u>PISTON</u>	<u>WT.</u>
6305.0151.00	ZWD 3030 G-K	3.0	3000	3400	1" Hollow	15mm	17.4
6305.0450.00	ZWD 3530 G-K	3.5	3000	3400	1" Hollow	15mm	17.4
6305.0651.00	ZWD 4030 G-K	4.0	3000	3400	1" Hollow	15mm	17.4
6305.0906.00	ZWD 4035 G-RF	4.0	3500	3400	1" Hollow	15mm	16.5
6305.1050.00	ZWD 3540 G-K	3.5	4000	3400	1" Hollow	15mm	17.4 *60 Egg-Crated
6305.1500.00	ZWD 4040 G-K	4.0	4000	3400	1" Hollow	15mm	17.4

RF-Bolt-on Unloader

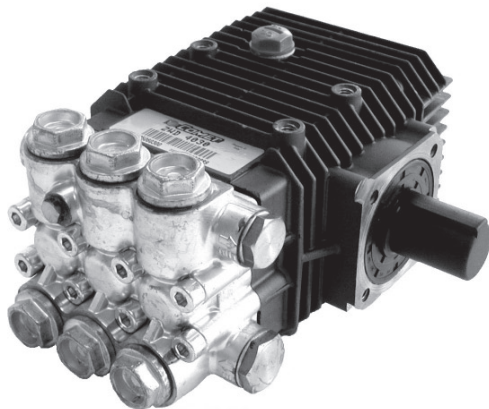
5019.0064.00 ZW Seal Kit, 15mm
5025.0011.00 Check Valve Kit

ZW Series Repair Kits

2409.0071.00 ZWD Piston Kit, 15mm
5019.0065.00 ZW Oil Seal Kit Hollow Shaft

ZWD

Series Pumps-Solid Shaft



3400 RPM - 24mm Solid Shaft

- 1/2" FPT Inlet, 3/8" FPT Discharge
 - Anodized, Die-Cast Aluminum Crankcase
 - Solid Ceramic Plungers
 - Stainless Steel Check Valves
 - Buna-Textile V-Packings
 - Reversible Crankcase for Right or Left Hand Mounting
 - 24mm Solid, Keyed Shaft
- **Pallet Qty 90 (57 Egg-Crated)**

<u>PART #</u>	<u>MODEL #</u>	<u>GPM</u>	<u>PSI</u>	<u>RPM</u>	<u>SHAFT</u>	<u>PISTON</u>	<u>WT.</u>
6305.0603.00	ZWD 4030 S	4.0	3000	3400	24mm Solid	15mm	17.4

ZW Series Repair Kits

5019.0064.00 ZW Seal Kit, 15mm
5025.0011.00 Check Valve Kit

2409.0071.00 ZWD Piston Kit, 15mm

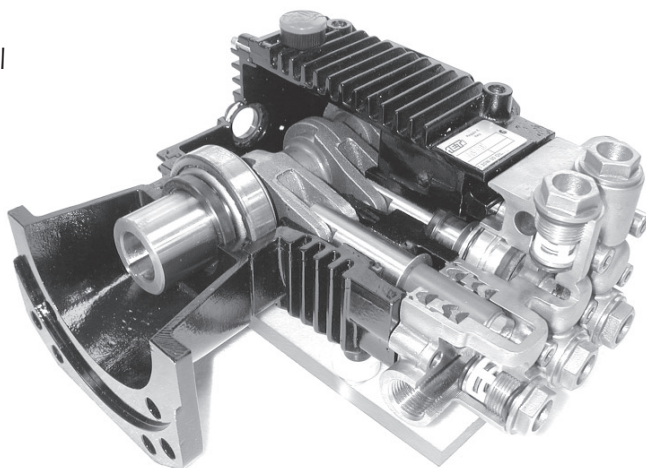
FW SERIES Industrial Duty Plunger Pumps

1450 RPM

1750 RPM

3400 RPM

- Reversible Crankcase for Easy Right or Left Hand Mounting
- Hardened Stainless Steel Piston Guides
- Highly Efficient Stainless Steel Check Valves
- Solid Ceramic Plungers
- High & Low Pressure Seals: High Quality Buna-Textile Packings. Additional Anti-Extrusion Ring under the Seal



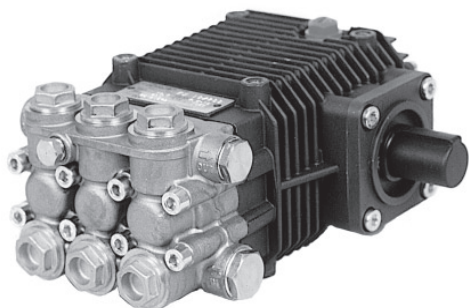
- Solid or Hollow Shaft
- Solid Brass Manifolds
- Special Forged Brass Oversized Connecting Rods
- Flange for Direct Mounting to Gas Engines or Electric Motors (Hollow Shaft Models Only.)
- Die-Cast, Anodized Aluminum Crankcase
- High Quality Tapered Roller Bearings
- Optimal Oil Bath for High Speed Operation

Takes 19 Ounces Pump Oil

FW

Series Pumps-Solid Shaft

1450 RPM - 24mm Solid Shaft



- 1/2" FPT Inlet, 3/8" FPT Discharge
- Anodized, Die-Cast Aluminum Crankcase
- Solid Ceramic Plungers
- Stainless Steel Check Valves and Piston Guides
- Oversized Bronze Connecting Rods
- Buna-Textile V-Packings
- Reversible Crankcase for Right or Left Hand Mounting
- 24mm Solid, Keyed Shaft
- **Pallet Qty 60 (Boxed or Egg-Crated)**

<u>PART #</u>	<u>MODEL #</u>	<u>GPM</u>	<u>PSI</u>	<u>RPM</u>	<u>SHAFT</u>	<u>PISTON</u>	<u>WT.</u>
6400.1106.00	FW 4030 S	4.0	3000	1450	24mm Solid	18mm	19.4
6401.0907.00*	FW 3530 S	3.4	3000	1450	24mm Solid	18mm	19.4
6400.0202.00	FW 5030 S	5.0	3000	1450	24mm Solid	20mm	19.4
6400.1400.00	FW 5530 S	5.5	3000	1450	24mm Solid	20mm	19.4

* Dual rated pump--6401.0907.00, Model FWS 4030 S

FW Series Mounting Rail Kits

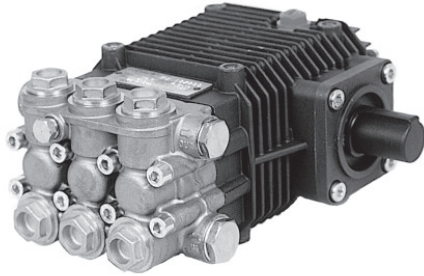
- 5011.0185.00** Standard Mounting Rail Kit for FW Series Pumps
- 5011.0216.00** Tall Mounting Rail Kit for FW Series Pumps

FW Series Repair Kits

- 5019.0038.00** FW Seal Kit, 18mm
- 5019.0039.00** FW Seal Kit, 20mm
- 5019.0044.00** FW Oil Seal Kit Solid Shaft
- 5025.0011.00** Check Valve Kit
- 2409.0073.00** FW Piston Kit, 18mm
- 2409.0074.00** FW Piston Kit, 20mm

FWS

Series Pumps-Solid Shaft



1750 RPM - 24mm Solid Keyed Shaft

- 1/2" FPT Inlet, 3/8" FPT Discharge
- Anodized, Die-Cast Aluminum Crankcase
- Solid Ceramic Plungers
- Stainless Steel Check Valves and Piston Guides
- Oversized Bronze Connecting Rods
- Buna-Textile V-Packings
- Reversible Crankcase for Right or Left Hand Mounting
- 24mm Solid, Keyed Shaft

▪ **Pallet Qty 60 (Boxed or Egg-Crated)**

<u>PART #</u>	<u>MODEL #</u>	<u>GPM</u>	<u>PSI</u>	<u>RPM</u>	<u>SHAFT</u>	<u>PISTON</u>	<u>WT.</u>
6401.0801.00	FWS 6020 S	5.9	2000	1750	24mm Solid	20mm	19.6
6401.1201.00	FWS 5525 S	5.7	2500	1750	24mm Solid	20mm	19.6
6401.0703.00	FWS 3530 S	3.5	3000	1750	24mm Solid	18mm	19.6
6401.0907.00	FWS 4030 S	4.1	3000	1750	24mm Solid	18mm	19.6
6401.0102.00	FWS 4530 S	4.5	3000	1750	24mm Solid	18mm	19.6

FW Series Mounting Rail Kits

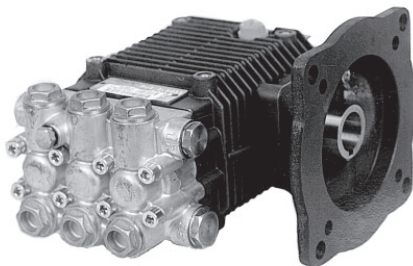
5011.0185.00	Standard Mounting Rail Kit for FW Series Pumps
5011.0216.00	Tall Mounting Rail Kit for FW Series Pumps

FW Series Repair Kits

5019.0038.00	FW Seal Kit, 18mm	2409.0073.00	FW Piston Kit, 18mm
5019.0039.00	FW Seal Kit, 20mm	2409.0074.00	FW Piston Kit, 20mm
5025.0011.00	Valve Kit	5019.0044.00	FW Oil Seal Kit Solid Shaft

FWS

Series Pumps-Electric



1750 RPM - 184T Elec. Flange

- 1/2" FPT Inlet, 3/8" FPT Discharge
- Anodized, Die-Cast Aluminum Crankcase
- Solid Ceramic Plungers
- Stainless Steel Check Valves and Piston Guides
- Oversized Bronze Connecting Rods
- Buna-Textile V-Packings
- Reversible Crankcase for Right or Left Hand Mounting
- 184T Electric Motor Flange with 1-1/8" Hollow Shaft

▪ **Pallet Qty 60 (Boxed or Egg-Crated)**

<u>PART #</u>	<u>MODEL #</u>	<u>GPM</u>	<u>PSI</u>	<u>RPM</u>	<u>SHAFT</u>	<u>PISTON</u>	<u>WT.</u>
6401.2300.00	FWS 3030 E	3.0	3000	1750	1 1/8" Hollow	18mm	20.3
6401.0704.00	FWS 3530 E	3.5	3000	1750	1 1/8" Hollow	18mm	20.3
6401.0908.00	FWS 4030 E	3.9	3000	1750	1 1/8" Hollow	18mm	20.3
6401.0103.00	FWS 4530 E	4.5	3000	1750	1 1/8" Hollow	18mm	20.3
6401.2200.00	FWS 5030 E	4.9	3000	1750	1 1/8" Hollow	20mm	20.3
6401.1900.00	FWS 5530 E	5.6	3000	1750	1 1/8" Hollow	20mm	20.3

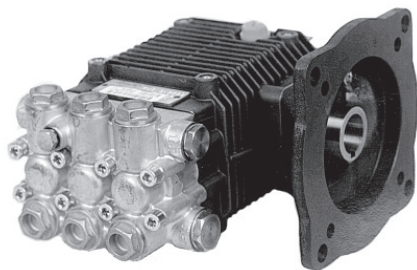
FW Series Repair Kits

5019.0038.00	FW Seal Kit, 18mm	2409.0073.00	FW Piston Kit, 18mm
5019.0039.00	FW Seal Kit, 20mm	2409.0074.00	FW Piston Kit, 20mm
5025.0011.00	Check Valve Kit	5019.0045.00	FW Oil Seal Kit Hollow Shaft

FWD

Series Pumps-Electric

3400 RPM - 184T Elec. Flange



- 1/2" FPT Inlet, 3/8" FPT Discharge
 - Anodized, Die-Cast Aluminum Crankcase
 - Solid Ceramic Plungers
 - Stainless Steel Check Valves
 - Stainless Steel Piston Guides
 - Buna-Textile V-Packings
 - Oversized Bronze Connecting Rods
 - Reversible Crankcase for Right or Left Hand Mounting
 - 184T Electric Motor Flange with 1-1/8" Hollow Shaft
- **Pallet Qty 60 (Boxed or Egg-Crated)**

<u>PART #</u>	<u>MODEL #</u>	<u>GPM</u>	<u>PSI</u>	<u>RPM</u>	<u>SHAFT</u>	<u>PISTON</u>	<u>WT.</u>
6402.0103.00	FWD 3530 E	3.3	3000	3400	1 1/8" Hollow	18mm	20.3
6402.0308.00	FWD 4030 E	3.9	3000	3400	1 1/8" Hollow	18mm	20.3
6402.0801.00	FWD 4530 E	4.4	3000	3400	1 1/8" Hollow	18mm	20.3

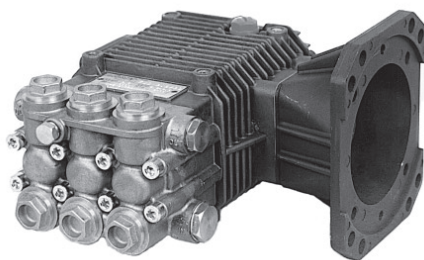
FW Series Repair Kit

5019.0038.00	FW Seal Kit, 18mm	2409.0073.00	FW Piston Kit, 18mm
5025.0011.00	Check Valve Kit	5019.0045.00	FW Oil Seal Kit Hollow Shaft

FWD

Series Pumps-Gas

3400 RPM - Gas Engine Flange



- 1/2" FPT Inlet, 3/8" FPT Discharge
 - Anodized, Die-Cast Aluminum Crankcase
 - Solid Ceramic Plungers
 - Stainless Steel Check Valves
 - Stainless Steel Piston Guides
 - Buna-Textile V-Packings
 - Oversized Bronze Connecting Rods
 - Reversible Crankcase for Right or Left Hand Mounting
 - Gas Engine Mounting Flange with 1" Hollow Shaft
- **Pallet Qty: 60-Boxed; 48-Egg-Crated**

<u>PART #</u>	<u>MODEL #</u>	<u>GPM</u>	<u>PSI</u>	<u>RPM</u>	<u>SHAFT</u>	<u>PISTON</u>	<u>WT.</u>
6402.0102.00	FWD 3530 G	3.3	3000	3400	1" Hollow	18mm	20.3
6402.1000.00	FWD 4035 G	3.9	3500	3400	1" Hollow	18mm	20.3
6402.0800.00	FWD 4530 G	4.4	3000	3400	1" Hollow	18mm	20.3

FW Series Repair Kits

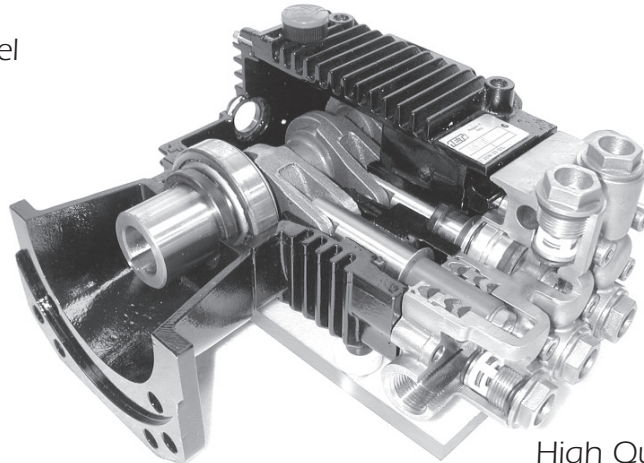
5019.0038.00	FW Seal Kit, 18mm	2409.0073.00	FW Piston Kit, 18mm
5025.0011.00	Check Valve Kit	5019.0045.00	FW Oil Seal Kit Hollow Shaft

HW SERIES

Industrial Duty Plunger Pumps

1450 RPM
1750 RPM
3400 RPM

- Reversible Crankcase for Easy Right or Left Hand Mounting
- Hardened Stainless Steel Piston Guides
- Highly Efficient Stainless Steel Check Valves
- Solid Ceramic Plungers
- High & Low Pressure Seals: High Quality Buna-Textile Packings. Additional Anti-Extrusion Ring under the Seal



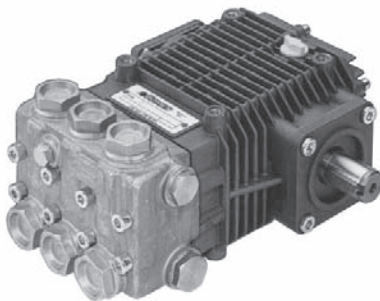
- Solid or Hollow Shaft
- Solid Brass Manifolds
- Special Forged Brass Oversized Connecting Rods
- Flange for Direct Mounting to Gas Engines (Hollow Shaft Models Only.)
- Die-Cast, Anodized Aluminum Crankcase
- High Quality Tapered Roller Bearings
- Optimal Oil Bath for High Speed Operation

Takes 19 Ounces Pump Oil

HW

Series Pumps-Solid Shaft

1450 RPM - 24mm Solid Keyed Shaft



- 1/2" FPT Inlet, 3/8" FPT Discharge
- Anodized, Die-Cast Aluminum Crankcase
- Solid Ceramic Plungers
- Stainless Steel Check Valves
- Stainless Steel Piston Guides
- Buna-Textile V-Packings
- Oversized Bronze Connecting Rods
- Reversible Crankcase for Right or Left Hand Mounting
- 24mm Solid, Keyed Shaft
- **Pallet Qty 60 (Boxed or Egg-Crated)**

<u>PART #</u>	<u>MODEL #</u>	<u>GPM</u>	<u>PSI</u>	<u>RPM</u>	<u>SHAFT</u>	<u>PISTON</u>	<u>WT.</u>
6403.0500.00	HW 3540 S	3.4	4000	1450	24mm Solid	18mm	20.0
6403.0200.00	HW 4040 S	4.0	4000	1450	24mm Solid	18mm	20.0
6403.0400.00	HW 4540 S	4.4	4000	1450	24mm Solid	18mm	20.0

HW Series Mounting Rail Kits

- 5011.0185.00** Standard Mounting Rail Kit for HW Series Pumps
- 5011.0216.00** Tall Mounting Rail Kit for HW Series Pumps

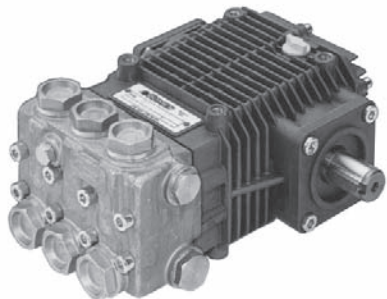
HW Series Repair Kits

- 5025.0011.00** Check Valve Kit
- 5019.0631.00** HW Seal Kit, 18mm
- 2409.0073.00** HW Piston Kit, 18mm
- 5019.0044.00** HW Oil Seal Kit Solid Shaft

HWS

Series Pumps-Solid Shaft

1750 RPM - 24mm Solid Keyed Shaft



- 1/2" FPT Inlet, 3/8" FPT Discharge
- Anodized, Die-Cast Aluminum Crankcase
- Solid Ceramic Plungers
- Stainless Steel Check Valves
- Stainless Steel Piston Guides
- Buna-Textile V-Packings
- Oversized Bronze Connecting Rods
- Reversible Crankcase for Right or Left Hand Mounting
- 24mm Solid, Keyed Shaft

- **Pallet Qty 60 (Boxed or Egg-Crated)**

<u>PART #</u>	<u>MODEL #</u>	<u>GPM</u>	<u>PSI</u>	<u>RPM</u>	<u>SHAFT</u>	<u>PISTON</u>	<u>WT.</u>
6404.0200.00	HWS 4040 S	4.0	4000	1750	24mm Solid	18mm	20.0
6404.0500.00	HWS 5040 S	5.2	4000	1750	24mm Solid	18mm	20.0

HW Series Mounting Rail Kits

5011.0185.00	Standard Mounting Rail Kit for HW Series Pumps
5011.0216.00	Tall Mounting Rail Kit for HW Series Pumps

HW Series Repair Kits

5025.0011.00	Check Valve Kit	2409.0073.00	HW Piston Kit, 18mm
5019.0631.00	HW Seal Kit, 18mm	5019.0044.00	HW Oil Seal Kit Solid Shaft

HWD

Series Pumps-Gas

3400 RPM - Gas Engine Flange



- 1/2" FPT Inlet, 3/8" FPT Discharge
- Anodized, Die-Cast Aluminum Crankcase
- Solid Ceramic Plungers
- Stainless Steel Check Valves
- Stainless Steel Piston Guides
- Buna-Textile V-Packings
- Oversized Bronze Connecting Rods
- Reversible Crankcase for Right or Left Hand Mounting
- Gas Engine Mounting Flange with 1" Hollow Shaft

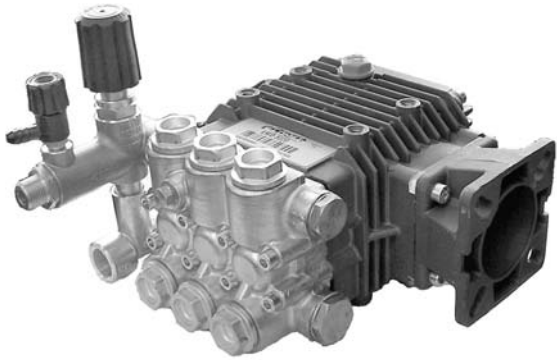
- **Pallet Qty: 60-Boxed; 46-Egg-Crated**

<u>PART #</u>	<u>MODEL #</u>	<u>GPM</u>	<u>PSI</u>	<u>RPM</u>	<u>SHAFT</u>	<u>PISTON</u>	<u>WT.</u>
6405.0200.00	HWD 3540 G	3.3	4000	3400	1" Hollow	18mm	20.0
6405.0101.00	HWD 4040 G	3.9	4000	3400	1" Hollow	18mm	20.0
6405.0300.00	HWD 4540 G	4.4	4000	3400	1" Hollow	18mm	20.0

HW Series Repair Kits

5025.0011.00	Check Valve Kit	2409.0073.00	HW Piston Kit, 18mm
5019.0631.00	HW Seal Kit, 18mm	5019.0045.00	HW Oil Seal Kit Hollow Shaft

PUMPS-Bolt-On Unloaders LW & ZW Pumps



3400 RPM - Gas Engine Flange

- 1/2" FPT Inlet, 3/8" MPT Discharge
- Anodized, Die-Cast Aluminum Crankcase
- Solid Ceramic Plungers
- Stainless Steel Check Valves
- Buna-Textile V-Packings
- Reversible Crankcase for Right or Left Hand Mounting
- Gas Engine Mounting Flange

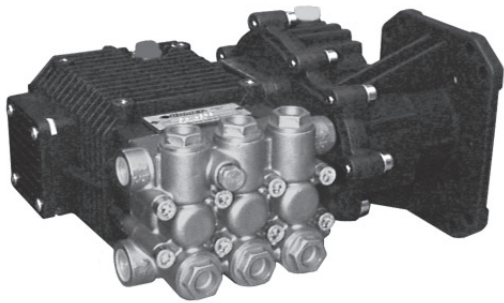
- **Pallet Qty 60 (57 Egg-Crated)**

Pump with Bolt-On Unloader

PART #	MODEL #	GPM	PSI	RPM	SHAFT	PISTON	WT.
6303.0706.00	LWD 3025 G-RF	3.0	2500	3400	3/4" Hollow	15mm	17.7
6303.2100.00	LWD 2527 G-RF	2.5	2700	3400	3/4" Hollow	15mm	17.9
6305.0906.00	ZWD 4035 G-RF	4.0	3500	3400	1" Hollow	15mm	21.0

RF-Bolt-on Unloader

Gear Reducer Series FW & HW Series Pumps



1450 RPM - Gear Reduction Drive

- 1/2" FPT Inlet, 3/8" FPT Discharge
- Anodized, Die-Cast Aluminum Crankcase
- Solid Ceramic Plungers
- Stainless Steel Check Valves & Piston Guides
- Buna-Textile V-Packings
- Oversized Bronze Connecting Rods
- 24mm Solid, Keyed Shaft on Pump
- 2.2:1 Gear Reduction with 1" Hollow Shaft for Direct Mounting to Gas Engines

Takes 19 Ounces Pump Oil

PART #	MODEL #	GPM	PSI	RPM(Pump/Drive)	SHAFT	PISTON	WT.
6400.1004.00	FW 3530 SGR	3.7	3000	1545/3400	1" Hollow	18mm	28.3
6400.1113.00	FW 4030 SGR	4.2	3000	1545/3400	1" Hollow	18mm	29.4
6400.0203.00	FW 5030 SGR	5.3	3000	1545/3400	1" Hollow	20mm	29.4
6400.1401.00	FW 5530 SGR	5.8	3000	1545/3400	1" Hollow	20mm	29.4
6403.0201.00	HW 4040 SGR	4.2	4000	1545/3400	1" Hollow	18mm	31.0
6403.0401.00	HW 4540 SGR	4.8	4000	1545/3400	1" Hollow	18mm	31.0

FW / HW Series Repair Kits

5019.0038.00	FW Seal Kit, 18mm	2409.0073.00	HW Piston Kit, 18mm
5019.0631.00	HW Seal Kit, 18mm	2409.0074.00	HW Piston Kit, 20mm
5019.0039.00	FW Seal Kit, 20mm	5025.0011.00	Check Valve Kit
		5019.0045.00	FW/HW Seal Kit HollowShaft

RW SERIES

Premium Pumps



1450 RPM 1750 RPM

- Crankcase: Die-Cast Aluminum Alloy for Protection Against Corrosion
- Piston Guides are Heat Treated Stainless Steel
- Highly Efficient Stainless Steel Check Valves
- Solid Ceramic Plungers
- Brass Manifold: Forged for Maximum Strength and Longer Life up to 4000 PSI
- Heavy Duty up to 4000 PSI
- High Volume up to 6.6 GPM
- Long Life Seals
- Direct Mount to Gas Engines or Electric Motors
- One Piece, Solid Bronze Alloy Connection Rods
- Solid Shaft 24mm for Belt Drive, Gearbox or Flex Couplers
- Oil Cap: New Travel/Working Oil Cap
- High Quality Tapered Roller Bearings
- Large Oil Capacity Dissipates Heat and Improves Lubrication for Longer Life

Takes 25 Ounces Pump Oil

RW

Series Pumps-Solid Shaft

1450 RPM - 24mm Solid Shaft



- 1/2" FPT Inlet, 3/8" FPT Discharge
- Crankcase: Die-Cast Aluminum Alloy
- Solid Ceramic Plungers
- Forged Brass Manifold
- Oversized Bronze Connecting Rods
- High Quality Tapered Roller Bearings
- Large Oil Capacity Dissipates Heat and Improves Lubrication
- Oil Cap: New Travel/Working Oil Cap
- **Pallet Quantity 36 Boxed Only**

<u>PART #</u>	<u>MODEL #</u>	<u>GPM</u>	<u>PSI</u>	<u>RPM</u>	<u>SHAFT</u>	<u>PISTON</u>	<u>WT.</u>
6517.0100.00	RW 4030 S	4.1	3000	1450	24mm	20mm	27.0
6517.0102.00*	RW 4030 S	4.1	3000	1450	24mm	20mm	27.0 NEW
6517.0600.00	RW 5030 S	5.0	3000	1450	24mm	20mm	27.0
6517.0800.00	RW 5530 S	5.5	3000	1450	24mm	20mm	27.0
6517.0803.00*	RW 5530 S	5.5	3000	1450	24mm	20mm	27.0 NEW
6517.0900.00	RW 6030 S	6.2	3000	1450	24mm	20mm	27.0
6517.0902.00*	RW 6030 S	6.2	3000	1450	24mm	20mm	27.0 NEW
6517.1300.00	RW 5535 S	5.5	3500	1450	24mm	20mm	27.0
6517.1001.00	RW 3540 S	3.3	4000	1450	24mm	18mm	27.0
6517.1400.00	RW 4040 S	4.0	4000	1450	24mm	18mm	27.0
6517.1101.00	RW 4540 S	4.4	4000	1450	24mm	18mm	27.0
6517.1201.00	RW 5040 S	4.9	4000	1450	24mm	18mm	27.0

***Hot Water Pump with Kevlar Seals**

RW Series Mounting Rail Kits

5011.0229.00

Standard Mounting Rail Kit for SW Series Pumps

RW Series Repair Kits

2409.0146.00 RW Piston Kit, 18mm
2409.0145.00 RW Piston Kit, 20mm
5025.0011.00 Valve Kit, up to 4.8 GPM
5025.0025.00 Valve Kit, 4.9 GPM+

5019.0673.00 RW Seal Kit, 18mm
5019.0672.00 RW Seal Kit, 20mm
5019.0675.00 RW Oil Seal Kit, Solid Shaft
5019.0679.00 RW Oil Seal Kit, Hollow Shaft

RWS

Series Pumps-Solid Shaft

1750 RPM - 24mm Solid Shaft



- 1/2" FPT Inlet, 3/8" FPT Discharge
- Crankcase: Die-Cast Aluminum Alloy
- Solid Ceramic Plungers
- Forged Brass Manifold
- Oversized Bronze Connecting Rods
- High Quality Tapered Roller Bearings
- Large Oil Capacity Dissipates Heat and Improves Lubrication
- Oil Cap: New Travel/Working Oil Cap
- **Pallet Quantity 36 Boxed Only**

<u>PART #</u>	<u>MODEL #</u>	<u>GPM</u>	<u>PSI</u>	<u>RPM</u>	<u>SHAFT</u>	<u>PISTON</u>	<u>WT.</u>
6518.0800.00	RWS 6020 S	5.9	2000	1750	24mm	20mm	27.0
6518.0900.00	RWS 6520 S	6.6	2000	1750	24mm	20mm	27.0
6518.0100.00	RWS 3030 S	3.0	3000	1750	24mm	20mm	27.0
6518.0200.00	RWS 3530 S	3.6	3000	1750	24mm	20mm	27.0
6518.0400.00	RWS 4030 S	4.1	3000	1750	24mm	20mm	27.0
6518.0500.00	RWS 4530 S	4.4	3000	1750	24mm	20mm	27.0
6518.0600.00	RWS 5030 S	4.9	3000	1750	24mm	20mm	27.0
6518.0700.00	RWS 5530 S	5.7	3000	1750	24mm	20mm	27.0
6518.1000.00	RWS 3035 S	3.0	3500	1750	24mm	20mm	27.0
6518.1500.00	RWS 5535 S	5.7	3500	1750	24mm	20mm	27.0
6518.1101.00	RWS 3540 S	3.6	4000	1750	24mm	18mm	27.0
6518.1201.00	RWS 4040 S	4.0	4000	1750	24mm	18mm	27.0
6518.1301.00	RWS 4540 S	4.8	4000	1750	24mm	18mm	27.0
6518.1401.00	RWS 5040 S	5.3	4000	1750	24mm	18mm	27.0
6518.0801.00	RWS 6040 S	6.0	4000	1750	24mm	18mm	27.0

RWS

Series Pumps-Electric

1750 RPM - 1-1/8" Hollow Shaft



- 1/2" FPT Inlet, 3/8" FPT Discharge
- Crankcase: Die-Cast Aluminum Alloy
- Solid Ceramic Plungers
- Forged Brass Manifold
- Oversized Bronze Connecting Rods
- High Quality Tapered Roller Bearings
- Large Oil Capacity Dissipates Heat and Improves Lubrication
- Oil Cap: New Travel/Working Oil Cap
- 184T Electric Flange with 1-1/8" Hollow Shaft
- **Pallet Quantity 36 Boxed Only**

<u>PART #</u>	<u>MODEL #</u>	<u>GPM</u>	<u>PSI</u>	<u>RPM</u>	<u>SHAFT</u>	<u>PISTON</u>	<u>WT.</u>
6518.0201.00	RWS 3530 E	3.6	3000	1750	1 1/8" Hollow	20mm	27.0
6518.0401.00	RWS 4030 E	4.1	3000	1750	1 1/8" Hollow	20mm	27.0
6518.0501.00	RWS 4530 E	4.4	3000	1750	1 1/8" Hollow	20mm	27.0
6518.0601.00	RWS 5030 E	4.9	3000	1750	1 1/8" Hollow	20mm	27.0
6518.0701.00	RWS 5530 E	5.7	3000	1750	1 1/8" Hollow	20mm	27.0

SW SERIES

Premium Pumps



1450 RPM 1750 RPM

24mm Solid Keyed Shaft

- 1/2" FPT Inlet, 3/8" FPT Discharge
- Crankcase: Die-Cast Aluminum Alloy for Protection Against Corrosion
- Piston Guides are Heat Treated Stainless Steel
- Highly Efficient Stainless Steel Check Valves
- Solid Ceramic Plungers
- Brass Manifold: Forged for Maximum Strength and Longer Life up to 4000 PSI
- Heavy Duty up to 4000 PSI
- High Volume up to 5.5 GPM
- Long Life Seals
- **Pallet Quantity 24**
- One Piece, Solid Bronze Alloy Connection Rods
- Solid Shaft 24mm for Belt Drive, Gearbox or Flex Couplers
- Oil Cap: New Travel/Working Oil Cap
- High Quality Tapered Roller Bearings
- Large Oil Capacity Dissipates Heat and Improves Lubrication for Longer Life

Takes 37 Ounces Pump Oil

SW

Series Pumps-Solid Shaft

<u>PART #</u>	<u>MODEL #</u>	<u>GPM</u>	<u>PSI</u>	<u>RPM</u>	<u>SHAFT</u>	<u>PISTON</u>	<u>WT.</u>
6515.0100.00	SW 4040 S	4.0	4000	1450	24mm	20mm	39.0
6515.0102.00*	SW 4040 S	4.0	4000	1450	24mm	20mm	39.0
6515.0200.00	SW 5540 S	5.5	4000	1450	24mm	20mm	39.0
6515.0204.00*	SW 5540 S	5.5	4000	1450	24mm	20mm	39.0

***Hot Water Pump with Kevlar Seals**

SWS

Series Pumps-Solid Shaft

<u>PART #</u>	<u>MODEL #</u>	<u>GPM</u>	<u>PSI</u>	<u>RPM</u>	<u>SHAFT</u>	<u>PISTON</u>	<u>WT.</u>
6516.0200.00	SWS 5025 S	5.0	2500	1750	24mm	20mm	39.0
6516.0100.00	SWS 4040 S	4.0	4000	1750	24mm	20mm	39.0
6516.0101.00*	SWS 4040 S	4.0	4000	1750	24mm	20mm	39.0

***Hot Water Pump with Kevlar Seals**

SW Series Mounting Rail Kits

5011.0214.00

Standard Mounting Rail Kit for SW Series Pumps

SW Series Repair Kits

5025.0011.00	Valve Kit
2409.0074.00	Piston Kit, 20mm
5019.0648.00	Seal Kit, Water
5019.0650.00	Oil Seal Kit
5019.0665.00	SW Seal Kevlar Kit 20mm
5019.0670.00	SW Hot Water Seal Kit, 20mm

TW SERIES

Premium Pumps



1000 RPM 1450 RPM 1750 RPM

24mm Solid Keyed Shaft

- 1/2" FPT Inlet, 3/8" FPT Discharge
- Crankcase: Die-Cast Aluminum Alloy for Protection Against Corrosion
- Piston Guides are Heat Treated Stainless Steel
- Highly Efficient Stainless Steel Check Valves
- Solid Ceramic Plungers
- Brass Manifold: Forged for Maximum Strength and Longer Life up to 5000 PSI
- Heavy Duty up to 5000 PSI
- High Volume up to 13.0 GPM
- Long Life Seals
- **Pallet Quantity 24**
- One Piece, Solid Bronze Alloy Connection Rods
- Solid Shaft 24mm for Belt Drive, Gearbox or Flex Couplers
- Oil Cap: New Travel/Working Oil Cap
- High Quality Tapered Roller Bearings
- Large Oil Capacity Dissipates Heat and Improves Lubrication for Longer Life

Takes 37 Ounces Pump Oil

TWN

Series Pumps-Solid Shaft

PART #	MODEL #	GPM	PSI	RPM	SHAFT	PISTON	WT.
6512.0200.00	TWN 7025 S	7.0	2500	1000	24mm	25mm	45.0
6512.0300.00	TWN 8025 S	8.0	2500	1000	24mm	25mm	45.0
6512.0100.00	TWN 6036 S	6.0	3600	1000	24mm	22mm	45.0

TW

Series Pumps-Solid Shaft

PART #	MODEL #	GPM	PSI	RPM	SHAFT	PISTON	WT.
6513.1200.00	TW 11025 S	11.0	2500	1450	24mm	25mm	45.0
6513.1201.00	*TW 11025 S	11.0	2500	1450	24mm	25mm	45.0
6513.1000.00	TW 10025 S	10.0	2500	1450	24mm	25mm	45.0
6513.1400.00	TW 8030 S	8.7	3000	1450	24mm	22mm	45.0
6513.1401.00	*TW 8030 S	8.7	3000	1450	24mm	22mm	45.0
6513.0700.00	TW 7036 S	7.0	3600	1450	24mm	22mm	45.0
6513.0900.00	TW 8036 S	8.6	3600	1450	24mm	22mm	45.0
6513.0400.00	TW 4550 S	4.7	5000	1450	24mm	18mm	45.0
6513.1300.00	TW 5050 S	5.2	5000	1450	24mm	18mm	45.0
6513.0300.00	TW 5550 S	5.8	5000	1450	24mm	18mm	45.0

***Hot Water Pump with Kevlar Seals**

TWS

Series Pumps-Solid Shaft

<u>PART #</u>	<u>MODEL #</u>	<u>GPM</u>	<u>PSI</u>	<u>RPM</u>	<u>SHAFT</u>	<u>PISTON</u>	<u>WT.</u>
6514.0900.00	TWS 13020 S	13.0	2000	1750	24mm	25mm	45.0
6514.0800.00	TWS 10025 S	10.7	2500	1750	24mm	25mm	45.0
6514.0700.00	TWS 9030 S	9.3	3000	1750	24mm	22mm	45.0
6514.1100.00	TWS 10030 S	10.7	3000	1750	24mm	25mm	45.0 NEW
6514.0600.00	TWS 8035 S	8.3	3500	1750	24mm	22mm	45.0
6514.0500.00	TWS 7040 S	7.0	4000	1750	24mm	18mm	45.0
6514.1000.00	TWS 5050 S	5.3	5000	1750	24mm	18mm	45.0
6514.0100.00	TWS 5550 S	5.6	5000	1750	24mm	18mm	45.0

TW Series Mounting Rail Kits

5011.0214.00

Standard Mounting Rail Kit for TW Series Pumps

TW Series Repair Kits

5025.0020.00	Valve Kit (Up to 3600 PSI)	5019.0645.00	Seal Kit 18mm, Water
5025.0021.00	Valve Kit (4000+ PSI)	5019.0646.00	Seal Kit 22mm, Water
2409.0116.00	Piston Kit 18mm	5019.0647.00	Seal Kit 25mm, Water
2409.0114.00	Piston Kit 22mm	5019.0644.00	Seal Kit, Oil (Up to 3600 PSI)
2409.0115.00	Piston Kit 25mm	5019.0649.00	Seal Kit, Oil (4000+ PSI)

Hot Water Packing Kits-TW Series

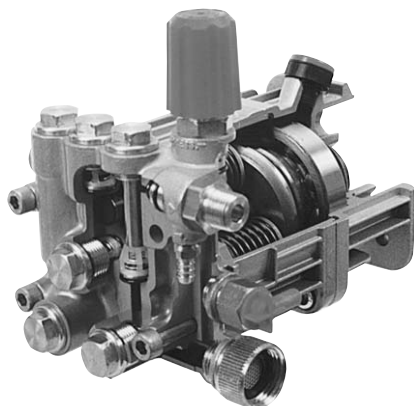
5019.0653.00	Packing Kit 18mm
5019.0654.00	Packing Kit 22mm
5019.0655.00	Packing Kit 25mm
5019.0662.00	Seal Kit, Kevlar 22mm
5019.0663.00	Seal Kit, Kevlar 25mm

MISTING PUMPS

Series Pumps

AXS

Series Pumps-Low Flow, Misting



1750 RPM - 5/8" Hollow Shaft

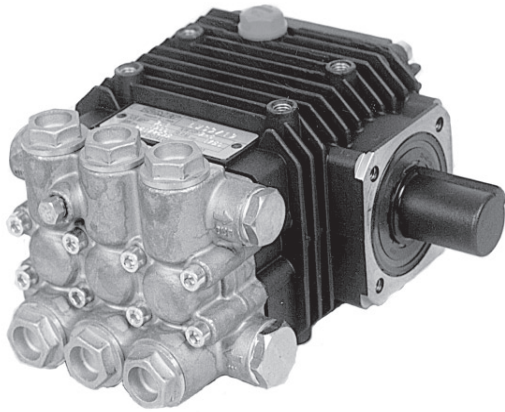
- 3/4" FGH Inlet – 3/8" MPT Outlet
- Built-in Uniflow Unloader and Chemical Injector
- Ceramic Plungers
- Built-in Garden Hose Adapter
- Industrial Duty Construction for Extended Life
- Optional Built-in Thermal Protector & Pressure Relief
- Stainless Steel Check Valves
- Forged Brass Manifold
- Patent Registered Ball Bearing Design
- **Misting and High Pressure Applications**
- **Pallet Qty: 90-Boxed; 70-Egg-Crated**

<u>PART #</u>	<u>MODEL #</u>	<u>GPM</u>	<u>PSI</u>	<u>RPM</u>	<u>SHAFT</u>	<u>WT.</u>
6502.0009.00	AXS 0415 E	0.4	1500	1750	5/8" Hollow	12.0
6502.0010.00	AXS 0615 E	0.6	1500	1750	5/8" Hollow	12.0
6502.0005.00	AXS 1015 E	0.9	1500	1750	5/8" Hollow	12.0
6502.0008.00	AXS 1315 E	1.3	1500	1750	5/8" Hollow	12.0
6502.0006.00	AXS 2015 E	1.7	1500	1750	5/8" Hollow	12.0

MISTING PUMPS cont'd...

LW

Series Pumps-Low Flow, Misting


1450 RPM - 1750 RPM
24mm Solid Shaft - 5/8" Hollow - 3/4"

- 1/2" FPT Inlet, 3/8" FPT Discharge
- Anodized, Die-Cast Aluminum Crankcase
- Solid Ceramic Plungers
- Stainless Steel Check Valves & Piston Guides
- Buna-Textile V-Packings
- Reversible Crankcase for Right or Left Hand Mounting
- 24mm Solid, Keyed Shaft
- **Misting and High Pressure Applications**
- **Pallet Qty 100 (Boxed or Egg-Crated)**

<u>PART #</u>	<u>MODEL #</u>	<u>GPM</u>	<u>PSI</u>	<u>RPM</u>	<u>SHAFT</u>	<u>PISTON</u>	<u>WT.</u>
6300.1501.00	LW 0509 S	0.5	1500	1450	24mm Solid	15mm	13.4
6300.1401.00	LW 1009 S	1.0	1500	1450	24mm Solid	18mm	13.4
6300.1601.00	LW 1509 S	1.5	1500	1450	24mm Solid	18mm	13.4
6301.2700.00	LWS 0609 S	0.6	1500	1750	24mm Solid	15mm	13.4
6301.2500.00	LWS 1209 S	1.2	1500	1750	24mm Solid	18mm	13.4
6301.2600.00	LWS 1809 S	1.8	1500	1750	24mm Solid	18mm	13.4
6301.2701.00	LWS 0609 E	0.6	1500	1750	5/8" Hollow	15mm	13.4
6301.2501.00	LWS 1209 E	1.2	1500	1750	5/8" Hollow	18mm	13.4
6301.2601.00	LWS 1809 E	1.8	1500	1750	5/8" Hollow	18mm	13.4
6301.2300.00	LWS 0409 GE	0.4	1500	1750	3/4" Hollow	18mm	13.4

Pump Accessories

OIL - Comet Pumps



- Specially Formulated for use in all High-Pressure Industrial Piston Pumps
- Universal Tractor Transmission Oil (UTTO)

<u>Part #</u>	<u>Description</u>
8102.1801.00	Pump Oil, 32 oz. Bottle
8102.1802.00	Pump Oil, Case of 12 Bottles

Comet Industrial Pump Oil is a specially formulated non-detergent, non-foaming oil, which is AW100 rated for superior oxidation protection. Comet recommends changing pump oil after the initial 50 hours of operation and every 300 hours thereafter.

OIL - HPP Pumps

<u>Part #</u>	<u>Description</u>
8102.1811.00	HPP Pump Oil, 5 Gal. Bottle
8102.1822.00	HPP Pump Oil, Case of 2 Bottles

ANTI-FREEZE - Pump Saver

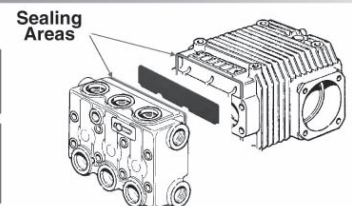


- Protects Pump from Freezing in Winter
- Attaches to any Pump Inlet to Fill Pump Chamber

<u>Part #</u>	<u>Description</u>
8102.5000.00	Pump Saver

GASKET - Manifold


 Seal Code
1201 0168 → LW-ZW

 Seal Code
1201 0167 → FW-HW


<u>Part #</u>	<u>Description</u>
1201.0168.00	Seal for LW & ZW
1201.0167.00	Seal for FW & HW

Repair Kits



All Comet Pump repair kits contain the quantity of components necessary to rebuild the entire pump.

Seal / Packing Replacement



AXD

LW

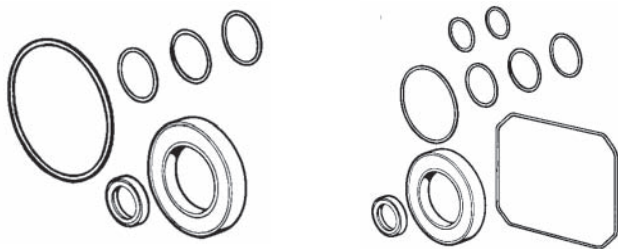
ZWD

FW-HW

Part #	Description
5026.0256.00	GXD Seal Ki
5019.0667.00	Seal Kit, Water BXD Gas
5019.0671.00	Seal Kit, Water, BXD Elect.
5019.0077.00	AXD/AXS Seal Kit 2,000 psi
5019.0078.00	AXD Seal Kit 2,500 psi
5019.0086.00	AXD Seal Kit 3,000 psi
5019.0035.00	LW Seal Kit, 15mm
5019.0037.00	LW Seal Kit, 18mm
5019.0064.00	ZWD Seal Kit, 15mm
5019.0038.00	FW Seal Kit, 18mm
5019.0039.00	FW Seal Kit, 20mm
5019.0631.00	HW Seal Kit, 18mm
5019.0673.00	RW Seal Kit 18mm, Water
5019.0672.00	RW Seal Kit 20mm, Water
5019.0648.00	SW Seal Kit 20mm, Water
5019.0645.00	TW Seal Kit 18mm, Water
5019.0646.00	TW Seal Kit 22mm, Water
5019.0647.00	TW Seal Kit 25mm, Water

*Brass Not Included

Oil Seal Replacement

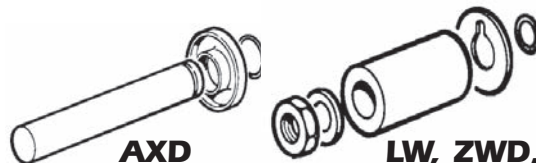


Part #	Description
5019.0659.00	GXD Seal Kit
5019.0079.00	AX/AXS Oil Seal Kit
5019.0040.00	LW Oil Seal Kit Solid Shaft
5019.0044.00	FW, HW, HWS Kit Solid Shaft
5019.0041.00	LW Oil Seal Kit Hollow Shaft
5019.0065.00	ZWD Oil Seal Kit Hollow Shaft
5019.0043.00	FWS Oil Seal Kit Hollow Shaft
5019.0045.00	FW, HWD Oil Seal Kit Hollow Shaft
5019.0650.00	SW Seal Kit
5019.0644.00	TW Seal Kit, Oil (Up to 3600PSI)
5019.0649.00	TW Seal Kit, Oil (4000+ PSI)
5019.0675.00	RW Oil Seal Kit, Solid Shaft
5019.0679.00	RW Oil Seal Kit, Hollow Shaft

Unloader Repair

Part #	Description
5026.0143.00	AX/GXD Unloader Rebuild Kit
5026.0142.00	AX/GXD Unloader Kit M22X1.5
1215.0393.00	Unloader Valve Kit, BXD Gas
1215.0391.00	Unloader Valve Kit, BXD Elect.
5026.0144.00	AX/GXD Maintenance Kit
5026.0123.00	LW Unloader Maintenance Kit
5026.0130.00	LW Unloader Rebuild Kit

Piston Replacement



AXD

LW, ZWD, FW, HW

Part #	Description
2409.0126.00	GXD Piston Kit
2409.0092.00	AXD/AXS Piston Kit
2409.0103.00	AXD Piston Kit 3,000 psi
2409.0071.00	LW/ZWD Piston Kit, 15mm
2409.0072.00	LW Piston Kit, 18mm
2409.0073.00	FW/HW Piston Kit, 18mm
2409.0074.00	FW/SW Piston Kit, 20mm
2409.0146.00	RW Piston Kit, 18mm
2409.0145.00	RW Piston Kit, 20mm
2409.0116.00	TW Piston Kit 18mm
2409.0114.00	TW Piston Kit 22mm
2409.0115.00	TW Piston Kit 25mm

Check Valve Replacement



Part #	Description
5025.0014.00	AXD/AXS & GXD Check Valve Kit
5025.0027.00	Check Valve Kit, BXD
5025.0011.00	For LW, ZW, FW, HW & SW
5025.0020.00	TW Valve Kit Up to 3600 PSI
5025.0021.00	TW Valve Kit (4000+ PSI)

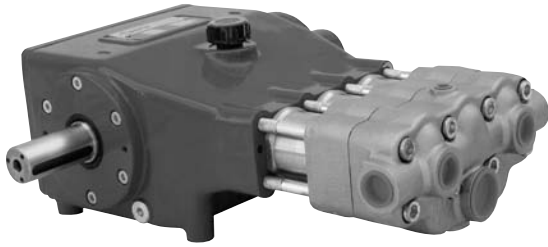
Hot Water

- Hot water seal protection
- LW, ZW, FW & HW Series Pumps
- Contains Hot Water Seals only
- Viton Seals are Chemically Resistant

Part #	Description
5019.0048.00	LW, ZW, Hot Water Seal Kit, 15mm
5019.0049.00	LW, HW-Requires 2, Hot Water, 18mm
5019.0050.00	LW, Viton Seal Kit, 18mm
5019.0051.00	LW, ZW, Viton Seal Kit, 15mm
5019.0053.00	FW, Hot Water Seal Kit, 18mm
5019.0054.00	FW, HW, Hot Water Seal Kit, 20mm
5019.0665.00	SW Seal Kevlar Kit 20mm
5019.0670.00	SW Hot Water Seal Kit, 20mm
5019.0653.00	TW Packing Kit 18mm
5019.0654.00	TW Packing Kit 22mm
5019.0655.00	TW Packing Kit 25mm
5019.0662.00	TW Seal Kevlar Kit 22mm
5019.0663.00	TW Seal Kevlar Kit 25mm

C Series

HPP Industrial Pumps

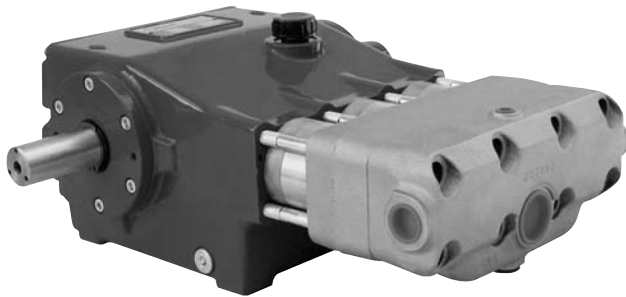


- Cast Iron Crankcase
- Chemically Resistant Coated Cast Iron Manifold
- Hardened Crankshaft
- Bronze Connecting Rods
- Ceramic Plungers
- Stainless Steel Valves, Nylon Valve Cage
- V-Packing Seal Design-Buna N
- Steel Piston Guides
- 1-1/4" Inlet; 3/4" Outlet
- 30mm Shaft

PART #	MODEL #	GPM	PSI	RPM	HP	WT	OIL (OZ)
9001.5140.00	C 72/110	19.0	1595	850	21	106	85
9001.5130.00	C 66/140	17.4	2030	1000	25	106	85
9001.5120.00	C 49/200	12.9	2900	1000	25	106	85
9001.5110.00	C 34/280	9.0	4060	1000	25	106	85

ECH Series

HPP Industrial Pumps



- Cast Iron Crankcase
- Chemically Resistant Coated Cast Iron Manifold
- Hardened Crankshaft
- Bronze Connecting Rods
- Ceramic Plungers
- Stainless Steel Valves
- V-Packing Seal Design-Buna N
- Steel Piston Guides
- 1-1/4" Inlet; 3/4" Outlet
- 35mm Shaft

PART #	MODEL #	GPM	PSI	RPM	HP	WT	OIL (OZ)
9001.5550.00	ECH 64/180	16.9	2610	800	31	177	145
9001.5540.00	ECH 59/250	15.6	3625	1000	40	177	145
9001.5530.00	ECH 44/320	11.6	4640	1000	40	177	145
9001.5520.00	ECH 38/400	10.0	5800	1000	40	177	145
9001.5510.00	ECH 26/500	6.9	7250	1000	35	177	145

ECHR Series

HPP Industrial Pumps



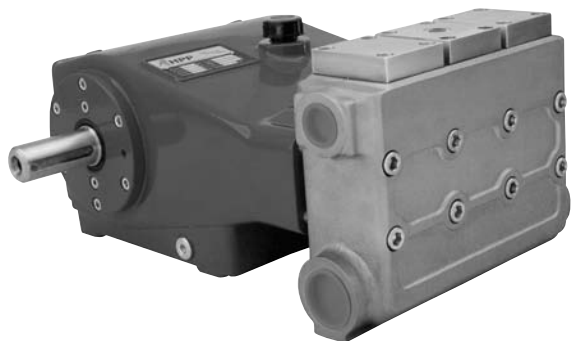
- Cast Iron Crankcase
- Chemically Resistant Coated Cast Iron Manifold
- Hardened Crankshaft
- Bronze Connecting Rods
- Ceramic Plungers
- Stainless Steel Valves
- V-Packing Seal Design-Buna N
- Steel Piston Guides
- 1-1/4" Inlet; 3/4" Outlet
- 35mm Shaft

Gear Box #9001.0800.00

PART #	MODEL #	GPM	PSI	INPUT RPM R=1.5	PUMP RPM	HP	WT	OIL (OZ)
9001.5850.00	ECHR 64/180	16.9	2610	1200	800	31	225	162
9001.5840.00	ECHR 59/250	15.6	3625	1500	1000	40	225	162
9001.5830.00	ECHR 44/320	11.6	4640	1500	1000	40	225	162
9001.5820.00	ECHR 38/400	10.0	5800	1500	1000	40	225	162
9001.5810.00	ECHR 26/500	6.9	7250	1500	1000	35	225	162

EL Series

HPP Industrial Pumps



- Cast Iron Crankcase
- Chemically Resistant Coated Cast Iron Manifold
- Hardened Crankshaft
- Cast Iron Connecting Rods
- Ceramic Plungers
- Stainless Steel Valves
- V-Packing Seal Design-Buna N
- Steel Piston Guides
- 1-1/2" Inlet; 1" Outlet
- 35mm Shaft

PART #	MODEL #	GPM	PSI	RPM	HP	WT	OIL (OZ)
9001.5460.00	EL 164/90	43.3	1305	700	40	194	135
9001.5450.00	EL 152/100	40.1	1450	800	40	194	135
9001.5440.00	EL 128/120	33.8	1740	850	40	194	135
9001.5430.00	EL 122/130	32.2	1885	1000	43	194	135
9001.5420.00	EL 102/160	27.0	2320	1000	43	194	135
9001.5410.00	EL 84/190	22.2	2755	1000	43	194	135

ELR Series

HPP Industrial Pumps



- Cast Iron Crankcase
- Chemically Resistant Coated Cast Iron Manifold
- Hardened Crankshaft
- Cast Iron Connecting Rods
- Ceramic Plungers
- Stainless Steel Valves
- V-Packing Seal Design-Buna N
- Steel Piston Guides
- 1-1/2" Inlet; 1" Outlet
- 35mm Shaft

Gear Box #9001.0800.00

<u>PART #</u>	<u>MODEL #</u>	<u>GPM</u>	<u>PSI</u>	<u>INPUT RPM</u> <u>R=1.5</u>	<u>PUMP RPM</u>	<u>HP</u>	<u>WT</u>	<u>OIL (OZ)</u>
9001.5760.00	ELR 164/90	43.3	1305	1050	700	40	232	152
9001.5750.00	ELR 152/100	40.1	1450	1200	800	40	232	152
9001.5740.00	ELR 128/120	33.8	1740	1280	850	40	232	152
9001.5730.00	ELR 122/130	32.2	1885	1500	1000	43	232	152
9001.5720.00	ELR 102/160	27.0	2320	1500	1000	43	232	152
9001.5710.00	ELR 84/190	22.2	2755	1500	1000	43	232	152

EV Series

HPP Industrial Pumps

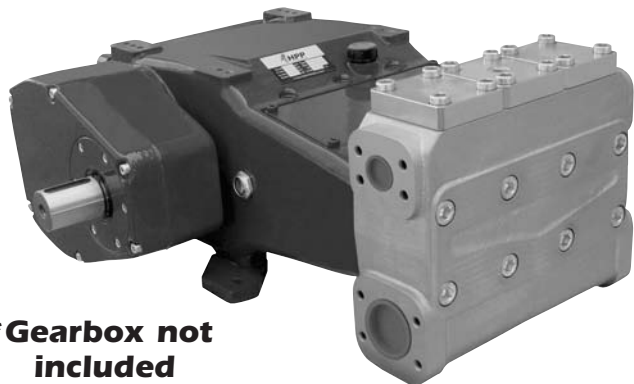


- Cast Iron Crankcase
- Chemically Resistant Coated Cast Iron Manifold
- Hardened Crankshaft
- Bronze Connecting Rods
- Ceramic Plungers
- Stainless Steel Valves
- V-Packing Seal Design-Buna N
- Steel Piston Guides
- 1-1/4" Inlet; 3/4" Outlet
- 35mm Shaft

<u>PART #</u>	<u>MODEL #</u>	<u>GPM</u>	<u>PSI</u>	<u>RPM</u>	<u>HP</u>	<u>WT</u>	<u>OIL (OZ)</u>
9001.5185.00	EV 19/800	4.9	11,600	900	40	199	152
9001.5180.00	EV 15/1000	3.9	14,500	730	40	199	152

GL Series

HPP Industrial Pumps



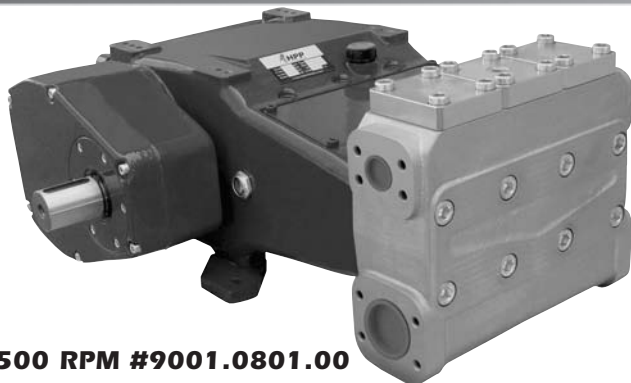
***Gearbox not included**

- Cast Iron Crankcase
- Chemically Resistant Coated Cast Iron Manifold
- Hardened Crankshaft
- Cast Iron Connecting Rods
- Ceramic Plungers
- Steel Valves
- V-Packing Seal Design-Buna N
- Steel Piston Guides
- 2" Inlet; 1-1/4" Outlet
- 35mm Shaft

<u>PART #</u>	<u>MODEL #</u>	<u>GPM</u>	<u>PSI</u>	<u>RPM</u>	<u>HP</u>	<u>WT (lbs.)</u>	<u>OIL (OZ)</u>
9001.5025.00	GL 256/110	67.6	1595	750	75	331	372
9001.5020.00	GL 212/130	56.1	1885	750	73	331	372
9001.5015.00	GL 171/160	45.2	2320	750	73	331	372
9001.5010.00	GL 135/210	35.7	3045	750	75	331	372
9001.5005.00	GL 109/260	28.8	3770	750	75	331	372
9001.5000.00	GL 92/300	24.3	4350	750	73	331	372

GLR Series

HPP Industrial Pumps



Gear Box 1500 RPM #9001.0801.00

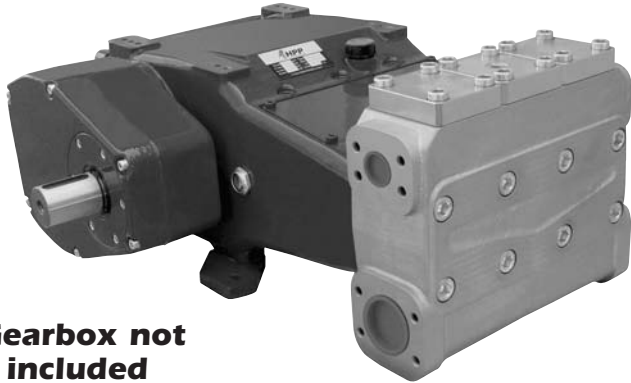
Gear Box 1800 RPM #9001.0802.00

- Cast Iron Crankcase
- Chemically Resistant Coated Cast Iron Manifold
- Hardened Crankshaft
- Cast Iron Connecting Rods
- Ceramic Plungers
- Steel Valves
- V-Packing Seal Design-Buna N
- Steel Piston Guides
- 2" Inlet; 1-1/4" Outlet
- 35mm Shaft

<u>PART #</u>	<u>MODEL #</u>	<u>GPM</u>	<u>PSI</u>	<u>R=2.03</u>	<u>RPM</u>	<u>HP</u>	<u>WT (lbs.)</u>	<u>OIL (OZ)</u>
9001.5055.00	GLR 256/110	67.6	1595	1500	750	75	386	372
9001.5050.00	GLR 212/130	56.1	1885	1500	750	73	386	372
9001.5045.00	GLR 171/160	45.2	2320	1500	750	73	386	372
9001.5040.00	GLR 135/210	35.7	3045	1500	750	75	386	372
9001.5035.00	GLR 109/260	28.8	3770	1500	750	75	386	372
9001.5030.00	GLR 92/300	24.3	4350	1500	750	73	386	372
<u>PART #</u>	<u>MODEL #</u>	<u>GPM</u>	<u>PSI</u>	<u>R=2.41</u>	<u>RPM</u>	<u>HP</u>	<u>Wt (lbs.)</u>	<u>OIL (OZ)</u>
9001.5085.00	GLR 256/110	67.6	1595	1800	750	75	386	372
9001.5080.00	GLR 212/130	56.1	1885	1800	750	73	386	372
9001.5075.00	GLR 171/160	45.2	2320	1800	750	73	386	372
9001.5070.00	GLR 135/210	35.7	3045	1800	750	75	386	372
9001.5065.00	GLR 109/260	28.8	3770	1800	750	75	386	372
9001.5060.00	GLR 92/300	24.3	4350	1800	750	73	386	372

SL Series

HPP Industrial Pumps



- Cast Iron Crankcase
- Chemically Resistant Coated Cast Iron Manifold
- Hardened Crankshaft
- Cast Iron Connecting Rods
- Ceramic Plungers
- Stainless Steel Valves
- V-Packing Seal Design-Buna N
- Steel Piston Guides
- 2-1/2" Inlet; 1-1/4" Outlet
- 50mm Shaft

***Gearbox not included**

<u>PART #</u>	<u>MODEL #</u>	<u>GPM</u>	<u>PSI</u>	<u>RPM</u>	<u>HP</u>	<u>WT (lbs.)</u>	<u>OIL (OZ)</u>
9001.5950.00	SL 316/130	83.4	1885	740	110	518	338
9001.5940.00	SL 261/160	69.9	2320	740	110	518	338
9001.5930.00	SL 212/200	56.0	2900	740	110	518	338
9001.5920.00	SL 167/250	44.1	3625	740	110	518	338
9001.5910.00	SL 135/300	35.6	4350	740	110	518	338

SLR Series

HPP Industrial Pumps



- Cast Iron Crankcase
- Chemically Resistant Coated Cast Iron Manifold
- Hardened Crankshaft
- Cast Iron Connecting Rods
- Ceramic Plungers
- Stainless Steel Valves
- V-Packing Seal Design-Buna N
- Steel Piston Guides
- 2-1/2" Inlet; 1-1/4" Outlet
- 50mm Shaft

Gear Box 1500 RPM #9001.0803.00

Gear Box 1800 RPM #9001.0804.00

<u>PART #</u>	<u>MODEL #</u>	<u>GPM</u>	<u>PSI</u>	<u>INPUT RPM</u> <u>R=2.03</u>	<u>PUMP RPM</u>	<u>HP</u>	<u>WT (lbs.)</u>	<u>OIL (OZ)</u>
9001.5955.00	SL 316/130	83.4	1885	1500	740	110	595	338
9001.5945.00	SL 261/160	69.9	2320	1500	740	110	595	338
9001.5935.00	SL 212/200	56.0	2900	1500	740	110	595	338
9001.5925.00	SL 167/250	44.1	3625	1500	740	110	595	338
9001.5915.00	SL 135/300	35.6	4350	1500	740	110	595	338

<u>PART #</u>	<u>MODEL #</u>	<u>GPM</u>	<u>PSI</u>	<u>INPUT RPM</u> <u>R=2.41</u>	<u>PUMP RPM</u>	<u>HP</u>	<u>Wt (lbs.)</u>	<u>OIL (OZ)</u>
9001.5957.00	SL 316/130	83.4	1885	1800	740	110	595	338
9001.5947.00	SL 261/160	69.9	2320	1800	740	110	595	338
9001.5937.00	SL 212/200	56.0	2900	1800	740	110	595	338
9001.5927.00	SL 167/250	44.1	3625	1800	740	110	595	338
9001.5917.00	SL 135/300	35.6	4350	1800	740	110	595	338

ANTI-FREEZE - Pump Saver



- Protects Pump from Freezing in Winter
- Attaches to any Pump Inlet to Fill Pump Chamber

Part #	Description
8102.5000.00	Pump Saver

BURNER RINGS



- Cast Iron for Long Life
- High-Flow Design
- Industry Standard Sizes
- New & Improved Casting Design

Part #	Description
8102.0120.00	BR-32 Burner Ring, 32-Nozzle
8102.0141.00	BR-44 Burner Ring, 44-Nozzle
8102.0162.00	BR-88 Burner Ring, 88-Nozzle
8102.0100.00	Replacement Nozzle

*Specify Orifice Sizing at Time of Order

CARTS - Pressure Washer

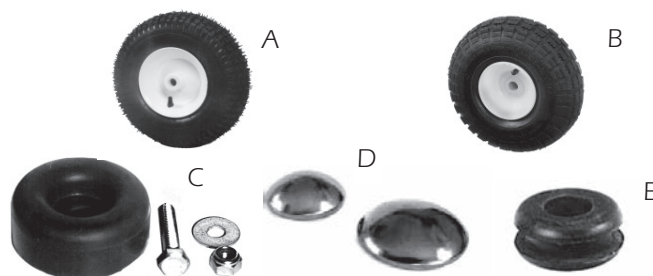


- Durable Powder Coat
- Pneumatic Wheels
- Nickel Axle Caps
- Rubber Foot Pads
- Rubber Nozzle Grommets
- Heavy-Duty Welded Steel Frame Cart
- 3/4" Axle



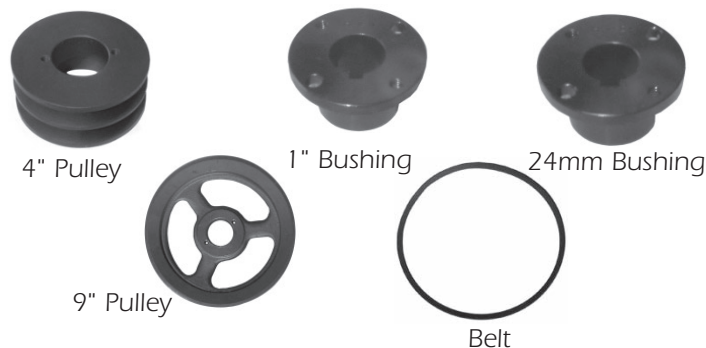
Part #	Description
8102.0201.00	Cart, 10" Wheels Up to 6.5 HP Gas Engine or 56C Electric Motor Base Dimensions: 13" x 12.75"
8102.0202.00	Cart, 10" Wheels Up to 13 HP Gas Engine Base Dimensions: 12.25" x 19.25"
8102.0203.00	Cart, 13" Wheels 11-20 HP Gas Engine or 182-184T Electric Motor Base Dimensions: 13.75" x 20.25"

CARTS - Components



Part #	Description	Style
8102.0250.00	10" Pneumatic Wheel w/ 3/4" Industrial Duty Nylon Bearing	A
8102.0251.00	13" Pneumatic Wheel w/ 3/4" Industrial Duty Nylon Bearing	B
8102.0252.00	10" Foam Filled Tire	NEW
8102.0260.00	Rubber Grommet Spray Tip Holder	E
8102.0261.00	Rubber Foot w/ Nut, Bolt & Washer	C
8102.0263.00	Nickel Plated Axle Cap, 5/8"	D
8102.0264.00	Nickel Plated Axle Cap, 3/4"	D

CARTS - Components



Part #	Description
8102.0270.00	4" Pulley
8102.0271.00	24mm Bushing
8102.0272.00	1" Bushing
8102.0273.00	9" Pulley
8102.0274.00	40" Belt B-Style
8102.0275.00	Pulley & Belt Assembly Kit [Includes all of the above, 2 belts, 2 bolts]

COUPLERS - Insulated



- 212°F
- 10 GPM
- 5000 PSI



Part #	Description
8402.1301.00	Coupler, 1/4" Insulated FPT
8402.1302.00	Coupler, 1/4" Insulated MPT
8402.1303.00	Coupler, 3/8" Insulated FPT
8402.1304.00	Coupler, 3/8" Insulated MPT

O-RINGS - Replacement

Part #	Description
8102.0301.01	"O" Ring for 1/4" Couplers
8102.0302.01	"O" Ring for 3/8" Couplers
8102.0301.02	Viton "O" Ring for 1/4" Couplers
8102.0302.02	Viton "O" Ring for 3/8" Couplers

COUPLERS - QC Sockets



- Ball Bearing Snap Connection
- Precision Machined Parts
- Click Lock Design
- 5000 PSI - 1/4"
- 4000 PSI - 3/8" & 1/2"
- **Box Qty 100 (1/4" & 3/8")**
- **Box Qty 50 (1/2")**

Brass Sockets

Part #	Description
8102.0301.00	Brass Socket, 1/4" FPT
8102.0302.00	Brass Socket, 3/8" FPT
8102.0303.00	Brass Socket, 1/4" MPT
8102.0304.00	Brass Socket, 3/8" MPT
8102.0356.00	Brass Socket, 1/2" MPT
8102.0357.00	Brass Socket, 1/2" FPT

Brass Sockets w/ Stainless Collar

Part #	Description
8102.0305.00	Brass Socket, 1/4" FPT w/ Stainless Collar
8102.0306.00	Brass Socket, 3/8" FPT w/ Stainless Collar
8102.0307.00	Brass Socket, 1/4" MPT w/ Stainless Collar
8102.0308.00	Brass Socket, 3/8" MPT w/ Stainless Collar

Zinc Plated Steel Sockets

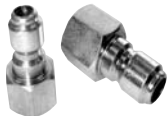
NEW

Part #	Description
8102.0313.00	Zinc Socket, 1/4" FPT
8102.0314.00	Zinc Socket, 3/8" FPT
8102.0317.00	Zinc Socket, 1/4" MPT
8102.0318.00	Zinc Socket, 3/8" MPT

Stainless Steel Sockets-5000 PSI

Part #	Description
8102.0309.00	Stainless Steel Socket, 1/4" FPT
8102.0310.00	Stainless Steel Socket, 3/8" FPT
8102.0311.00	Stainless Steel Socket, 1/4" MPT
8102.0312.00	Stainless Steel Socket, 3/8" MPT

COUPLERS - QC Plugs



- Industrial Grade Steel
- Precision Machined Parts
- 5000 PSI - 1/4"
- 4000 PSI - 3/8" & 1/2"
- **Box Qty 100**

Brass Plugs

Part #	Description
8102.0350.00	Brass Plug, 1/4" FPT
8102.0351.00	Brass Plug, 1/4" MPT
8102.0352.00	Brass Plug, 3/8" FPT
8102.0353.00	Brass Plug, 3/8" MPT
8102.0360.00	Brass Plug, 1/8" MPT
8102.0361.00	Brass Plug, 1/8" FPT
8102.0362.00	Brass Plug, 1/2" MPT
8102.0363.00	Brass Plug, 1/2" FPT

ST-N2 Steel Plugs

Part #	Description
8102.0320.00	Steel Plug, 1/4" FPT
8102.0321.00	Steel Plug, 1/4" MPT
8102.0322.00	Steel Plug, 3/8" FPT
8102.0323.00	Steel Plug, 3/8" MPT
8102.0354.00	Steel Plug, 1/2" MPT
8102.0355.00	Steel Plug, 1/2" FPT

Hardened Steel Plugs

Part #	Description
8102.0324.00	Hardened Steel Plug, 1/4" FPT
8102.0325.00	Hardened Steel Plug, 1/4" MPT
8102.0326.00	Hardened Steel Plug, 3/8" FPT
8102.0327.00	Hardened Steel Plug, 3/8" MPT
8102.0358.00	Hardened Steel Plug, 1/8" FPT
8102.0359.00	Hardened Steel Plug, 1/8" MPT

Stainless Steel Plugs-5000 PSI

Part #	Description
8102.0328.00	Stainless Steel Plug, 1/4" FPT
8102.0329.00	Stainless Steel plug, 1/4" MPT
8102.0330.00	Stainless Steel Plug, 3/8" FPT
8102.0331.00	Stainless Steel Plug, 3/8" MPT

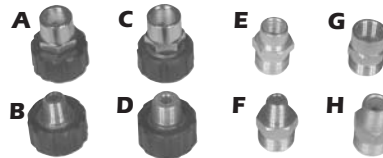
COUPLERS - Twist Connect



- Secure Twist Connection
- Precision Machined Parts
- Male or Female PT
- 3600 PSI
- 11 GPM
- 300°F
- **Box Qty 25**

Part #	Description
8108.0301.00	Body, 1/4" FPT x M22
8108.0302.00	Body, 1/4" MPT x M22
8108.0303.00	Body, 3/8" FPT x M22
8108.0311.00	Plug, 1/4" FPT x M22
8108.0312.00	Plug, 1/4" MPT x M22
8108.0313.00	Plug, 3/8" FPT x M22
8108.0314.00	Plug, 3/8" MPT x M22

COUPLERS - Twist Connect



- Secure Twist Connection
- Precision Machined Parts
- 4000 PSI
- 10 GPM
- **Box Qty 100**

Part #	Description	
8102.6000.00	Body, 1/4" FPT x M22F, Zinc	A
8102.6001.00	Body, 3/8" FPT x M22F, Zinc	B
8102.6020.00	Body, 1/4" MPT x M22F Brass	C
8102.8521.00	Body, 3/8" MPT x M22F Brass	D
8102.6002.00	Plug, 1/4" FPT x M22	E
8102.6003.00	Plug, 3/8" FPT x M22	F
8102.6004.00	Plug, 1/4" MPT x M22	G
8102.6005.00	Plug, 3/8" MPT x M22	H

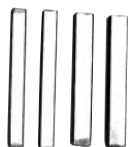
COUPLERS - Twist Connect/QC



- Adapts from QC to M22 Twist Connect
- 4000 PSI
- **Box Qty 100**

Part #	Description
8102.8518.00	3/8" QC Socket X M22M
8102.8519.00	3/8" QC Plug x M22F

ENGINE KEYS



- Keys for All Common Engine shafts
- Fits 1" & 3/4" shafts

Part #	Description
8102.2800.00	Engine Shaft Key-3/4" Solid Shaft
8102.2801.00	Engine Shaft Key-1" Solid Shaft

FILTERS - Chemical Suction



Part #	Description	Style
8107.2001.00	Chemical Strainer-w/o Check	A
8107.2002.00	Chemical Strainer-with Check	A
8107.2007.00	Chemical Strainer-with Check	A
8107.2005.00	Chemical Strainer-with Check	B
8107.2003.00	Chemical Strainer-with Ballast	C
8107.2004.00	Chemical Strainer-with Ballast	D
8107.2006.00	Chemical Strainer-w/o Check	E

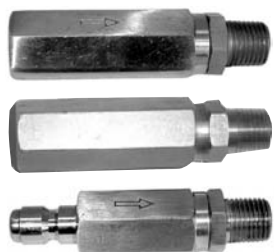
FILTERS - High Pressure Brass



- 190° F
- 8 GPM @ 5000 PSI
- Serviceable Design
- Recommended for use with Rotating Nozzles
- **Filter Box Qty 20**
- **Replacements Box Qty 10**

Part #	Description
8107.0411.00	HP Filter, 1/4" QC x 1/4" MPT
8107.0410.01	Replacement "O" Ring
8107.0410.02	Replacement Screen
8107.0410.03	Inner Screen Support

FILTERS - High Pressure



- 8 GPM
- Max PSI 5000
- Max Temp 200°
- Stainless & Brass

Part #	Description
8102.0333.00	Stainless w/Brass Insert 1/4" MPT x 1/4" FPT
8402.0333.00	Brass Filter 1/4" MPT x 1/4" FPT
8102.0334.00	Stainless w/Brass Insert 1/4" MPT x QC

FILTER/HOSE ASSEMBLY



- Industrial Duty Hose
- Chemical Filter with Check Valve

Part #	Description
8102.3000.00	Chemical Hose Assembly, 3 ft.
8102.3002.00	Chemical Hose Assembly, 4 ft.
8102.3001.00	Chemical Hose Assembly, 6 ft.

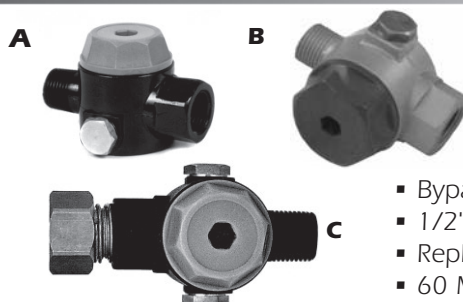
FILTERS - Canister



- Polycarbonate
- 1" (F x F) Connection
- Uses 9-3/4" Filters

Part #	Description
8107.0430.00	Polycarbonate Housing
8107.0431.00	Filter, Plastic, 60 Microns, 10"
8107.0432.00	Filter, Carbon Block, 5 Microns

FILTERS - Inlet



- Bypass Port
- 1/2" F x 1/2" M
- Replaceable Screen
- 60 Mesh Cuffed Screen

Part #	Description
8102.0400.00	Inlet Filter, Black Alum. Body A
8102.0401.00	Inlet Filter, Black Alum. Body w/ Garden Hose Adaptor C
8102.0422.00	Replacement Green Cap
8102.0420.00	Replacement Housing
8102.0421.00	Replacement Screen
8107.0400.00	Inlet Filter, Alum. w/Dual Bypass B

FILTERS - Inlet, Clear



*Patent Pending

- 8.0 GPM
- 160 PSI
- 175°
- 3/4" FGH Inlet

Part #	Description
8102.0460.00	Filter, 1/2" Outlet
8102.0461.00	Filter, 1/2" Outlet, 1/4" By-Pass
8102.0460.01	Replacement Sleeve
8102.0460.02	Replacement O-Ring

FILTERS - Tank Suction



- Straining Power 400 Microns

Part #	Description
8107.0440.00	Tank Suction Filter
8107.0450.00	Tank Suction Filter w/check

FILTERS - Y Intake Strainers



- 50 Mesh SS. Screen
- Brass Body
- 290 PSI
- **Box Qty 5**

Part #	Description
8107.2011.00	1/2" FPT x 1/2" FPT
8107.2012.00	3/4" FPT x 3/4" FPT
8107.2013.00	1" FPT x 1" FPT

FITTINGS, BRASS - Misc.



- Solid Brass Fittings
- Precision Machined Parts
- Industrial Grade
- **Box Qty 100**

Part #	Description
8102.0503.00	Street Elbow, 1/4" M x 1/4" F
8102.0504.00	Street Elbow, 3/8" M x 3/8" F
8107.0508.00	Street Elbow, 1/2" M x 1/2" F
8102.0502.00	Tee, 3/8" F x 3/8" F x 3/8" F
8102.0505.00	Hex Nipple, 3/8" M x 3/8" M
8102.0506.00	Hex Bushing, 1/2" M x 3/8" F
8102.0507.00	Hose Barb, 1/4" MPT x 3/8" Barb
8102.0508.00	Hose Barb, 3/8" MPT x 3/8" Barb
8102.0509.00	3/8" MNPT x 1/4" FNPT Elbow

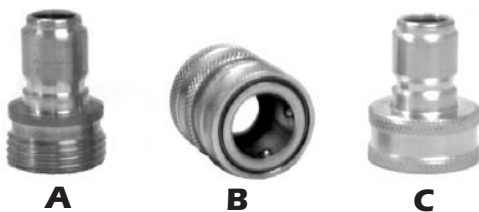
FITTINGS - Garden Hose



- Solid brass fittings
- Precision threads

Part #	Description
8105.0500.00	1/2" MPT x FGH, w/ 1/4" FPT By-Pass Port B
8105.0501.00	3/8" MPT x FGH, w/ 1/4" FPT By-Pass Port B
8105.0502.00	1/2" FPT x FGH C
8105.0600.00	3/8" MPT x FGH w/ SS Tension Spring A
8105.0601.00	1/2" MPT x FGH w/ SS Tension Spring A
8102.0450.00	Filter Washer for GH Adapter D

FITTINGS - QC Garden Hose



- Solid Brass Fittings
- Precision Threads
- **Box Qty 100**

Part #	Description
8102.0335.00	Plug, Brass, 1/2" QC x MGH A
8102.0336.00	Coupler, Brass, 1/2" QC x FGH B
8102.0337.00	Garden Hose QC Set C
8102.0338.00	Plug, Brass, 3/4" FBSP C

FLOAT TANK & VALVES



- 0.8 Gallon Tank
- Tank includes Lid
- Valves, 105 PSI, 140° F Max.
- **Replacement Part Box Qty**

▪ **Box Qty 25**



▪ **Box Qty 50**



▪ **Box Qty 10**

Part #	Description	
8107.2602.00	Float Valve, Brass, 3/4"	A
8107.2601.00	Float Valve, Plastic, 3/4"	B
8107.2605.00	Float Valve, Brass 1/2"	A
8107.2607.00	Replacement Float Diaphragm	
8107.2608.00	Rubber Seal for Brass Float	
8107.2611.00	Float Tank with Lid	C

GAUGES - Pressure



- Glycerin Filled
- 1/4" MNPT Inlet
- 2" Diameter
- Bottom Mount

Part #	Description
8106.0613.00	Gauge, 3000 PSI, Stainless Steel
8106.0614.00	Gauge, 4000 PSI, Stainless Steel
8106.0615.00	Gauge, 6000 PSI, Stainless Steel

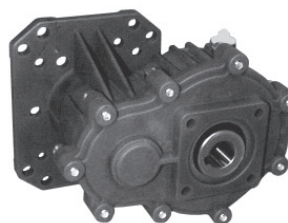
GAUGES - Quick Disconnect Kit



- 3/8" QD Socket w/ Stainless Steel Socket
- 3/8" QD Brass Plug
- 1/4" FPT Gauge Port

Part #	Description
8102.0332.00	QD Gauge Kit Fitting
8102.0340.00	QD Gauge Kit w/4000 PSI Gauge

GEAR REDUCERS - Gas Engine



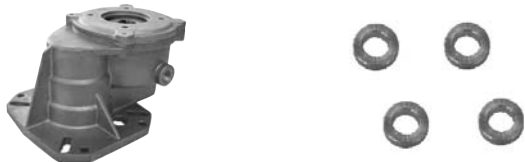
- 2.2:1 Gear Ratio
- 1" Hollow Shaft
- Helical Cut Gears
- Oil Ring Seal

Part #	Description
5005.0207.00	Gear Reducer, 2.2:1, 9-20 HP
5005.0209.00	Gear Reducer, 1-1/8" Shaft, 9-20 HP
5005.0236.00	Gear Reducer, 1" Shaft, 25 HP
5005.0237.00	Gear Reducer, 1-1/8" Shaft, 25 HP

GEAR REDUCER-TW/SW Pumps

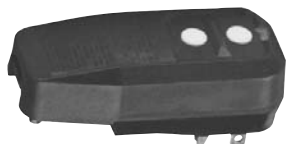


Part #	Description
7200.0001.00	Gear Reducer, 1-1/8" , 2.2:1, 25 HP
7200.0001.01	Spacer-Required w/1-1/8" Reducer
7200.0002.00	Gear Reducer, 1" , 2.2:1, 25 HP



Part #	Description
8116.0200.00	Gear Reducer, 1-1/8" , B24-24 HP
8116.0200.01	Spacer w/1-1/8" Reducer - 4 Required
8116.0201.00	Gear Reducer, 1" , B24-24 HP

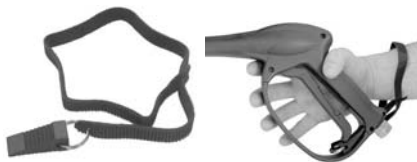
GFI



- Includes 30' Cord
- UL, CSA 120V/15A
- NEMA 5-15 P & R
- Accepts SJTW Cord
- 12/3, 14/3, 16/3 AWG

Part #	Description
7500.0000.00	GFI W/30' Cord
7500.0001.00	Adapter Plug
7500.0002.00	Plug for 12 AWG
7500.0003.00	Plug for 14 AWG
7500.0004.00	Plug for 16 AWG
7500.0005.00	Plug for 12, 14 & 16 AWG

GUNS – Open Trigger Lock



- Helps Prevent Hand Fatigue

Part #	Description
7600.0001.00	Open Trigger Lock

GUNS – Front Entry-7025



- 7 GPM @ 2500 PSI
- 210° F
- Brass Valve Body
- 3/8" Front Inlet
- 1/4" Discharge

Part #	Description
8108.1601.00	Spray Gun, 7 GPM @ 2500 PSI
8108.1601.01	Repair Kit, Standard
8108.1601.02	Repair Kit, Mini (SS Seat and "O"Ring Only)

GUNS – Front Entry-7027



- 7 GPM @ 2750 PSI
- 210° F
- Brass Valve Body
- 3/8" F Front Inlet
- 1/4" F Discharge

Part #	Description
8102.1601.00	Spray Gun, 7 GPM @ 2750 PSI
8102.1601.01	Repair Kit

GUNS – 8040



- 8 GPM @ 4000 PSI
- 320° F
- Brass Valve Body
- 3/8" F Front Inlet
- 1/4" F Discharge

Part #	Description
8108.1620.00	Spray Gun, 8 GPM @ 4000 PSI
8108.1620.01	Repair Kit

GUNS – Weep MV 920 W



- 7 GPM @ 4000 PSI
- 300° F
- Brass Valve Body
- 3/8" Front Inlet
- 1/4" Discharge

Part #	Description
8108.1625.00	Spray Gun, 7 GPM @ 4000 PSI
8108.1625.01	Repair Kit

GUNS – 9045



- 9 GPM, 300° F
- 4350 PSI, Max 4500 PSI
- Brass Valve Body
- 3/8" Rear Inlet
- 1/4" Discharge

Part #	Description
8108.1603.00	Spray Gun, 9 GPM @ 4500 PSI
8108.1603.01	Repair Kit, Standard
8108.1603.02	Repair Kit, Mini (SS Seat and "O" Ring Only)

GUNS – 12050



- Rated Flow 12 GPM
- 5075 Max PSI
- 300° F Max
- 3/8" Inlet
- 1/4" Outlet

Part #	Description
8108.1606.00	Spray Gun, 12 GPM, 5075 PSI
8108.1606.01	Repair Kit

GUNS – 8050



- Rated Flow 8 GPM
- 5075 Max PSI
- 300° F Max
- 3/8" Inlet
- 1/4" Outlet

Part #	Description
8108.1604.00	Spray Gun, 8 GPM, 5075 PSI
8108.1604.01	Repair Kit

GUNS – Aura 210



- 7 GPM, 3100 PSI, 300° F
- Brass Valve Body
- 3/8" Inlet
- 1/4" Discharge
- **Box Qty 40**

Part #	Description
8107.1620.00	Aura 210 Spray Gun
8107.1621.00	Aura 210 Spray Gun, Weep

GUNS – Iride 280



- 8 GPM, 4000 PSI, 300° F
- Brass Valve Body
- 3/8" Inlet & 1/4" Discharge
- **Spray Gun Box Qty 50**
- **Repair Kit Box Qty 10**

Part #	Description
8107.1601.00	Iride 280 Spray Gun
8107.1602.00	Iride 280 Spray Gun, Weep
8107.1601.01	Iride Repair Kit, Mini [Valve Assembly Only]
8107.1601.02	Iride Repair Kit, Standard

GUNS – Free



- 8 GPM, 4100 PSI, 300° F
- Brass Valve Body
- 3/8" Front Inlet
- 1/4" Discharge
- Stainless Steel & Brass Design
- **Box Qty 30**

Part #	Description
8107.1609.00	Iride, Free Flow Through Gun

GUNS – Astra 320



- 10 GPM, 4500 PSI,
- 300° F Max Temp.
- Brass Valve Body
- 3/8" Inlet & 1/4" Discharge
- **Spray Gun Box Qty 50**
- **Weep Gun Box Qty 30**
- **Repair Kit Box Qty 10**

Part #	Description
8107.1610.00	Astra 320 Spray Gun
8107.1611.00	Astra 320 Spray Gun, Weep
8107.1610.01	Astra Repair Kit
8107.1611.02	Astra Weep Repair kit [Valve Assembly Only]

GUNS – RL 100



- Rated Flow 26.5 GPM
- 1800 Max PSI
- 320° F Max
- 1/2" Female Inlet
- 1/2" Female Outlet

Part #	Description
8116.1601.00	Spray Gun, 26.5 GPM, 1800 PSI

RL 100 Extension



- 26.5 GPM
- 320° F Max
- 1/2" Male Inlet
- 1/4" Female Outlet
- Length 31.5"

Part #	Description	Max PSI
8116.1601.10	Lance Extension	1800

GUNS – RL 19



- Rated Flow 53 GPM
- 3200 Max PSI
- 210° F Max
- 1/2" Female Inlet
- 1/2" Female Outlet

Part #	Description
8116.1602.00	Spray Gun, 53 GPM, 3200 PSI

GUNS – RL 80



- Rated Flow 21 GPM
- 8100 Max PSI
- 210° F Max
- 1/2" Female Inlet
- 1/2" Female Outlet

Part #	Description
8116.1603.00	Spray Gun, 21 GPM, 8100 PSI

RL 80 Extension



- 21 GPM
- 210° F Max
- 1/2" Male Inlet
- 1/4" Female Outlet
- Length 31.5"

Part #	Description	Max PSI
8116.1603.10	Lance Extension	8100

GUN LANCE – Molded



- 10.5 GPM @ 5000 PSI Spray Gun
- 320° F
- 3/8" Inlet
- 22mm Discharge
- Brass Valve Body

▪ See M22 Lance Section on Page 38

Part #	Description
8102.1640.00	Gun Lance

GUN LANCE – Molded, Iride 280



- 8 GPM @ 4000 PSI
- 300° F
- 3/8" Inlet
- Brass Valve Body
- 22mm Discharge
- Use 22mm Wands
- **Box Qty 20**

▪ See M22 Lance Section on Page 38

Part #	Description
8107.1645.00	Molded Grip, Zinc Plated
8107.1646.00	Molded Grip, Stainless Steel

GUN LANCE – MT4 Lance, Aura



- 7 GPM @ 3100 PSI, 300° F
- Brass Valve Body
- 3/8" Inlet
- 22mm Discharge
- **Box Qty 20**

▪ See M22 Lance Section on Page 38

Part #	Description
8107.1658.00	Aura 210, MT4 Grip, Zinc Plated

LANCE NOZZLE - VAPJET/MT4



- Safety Lip-Hand Guard Design
- Use with MT4 Spray Guns
- M22M Inlet
- Variable Pressure & Spray Angle
- Color Coded Orifice Sizing
- 3100 PSI, 210° F
- **Box Qty 20**

Part #	Description
8107.1460.00	Lance, MT4, Without Nozzle
8107.1461.00	Nozzle, MT4, 1.1mm Orifice, White
8107.1462.00	Nozzle, MT4, 1.2mm Orifice, Yellow
8107.1463.00	Nozzle, MT4, 1.3mm Orifice, Orange
8107.1464.00	Nozzle, MT4, 1.4mm Orifice, Red
8107.1465.00	Nozzle, MT4, 1.5mm Orifice, Blue
8107.1466.00	Nozzle, MT4, 1.6mm Orifice, Grey
8107.1467.00	Nozzle, MT4, 1.7mm Orifice, Brown
8107.1468.00	Nozzle, MT4, 1.8mm Orifice, Green

*Use Chart on Page 41 for Orifice Sizing

SPRAY ACC. MT4 – Foam Inj.



- For use with any M22 Outlet Gun/Lance Combination
- 2200 PSI Max.
- **Box Qty 10**

Part #	Description
8107.2610.00	Foam Injector, 1 Liter Tank, MT4

*For use with M22 Spray Gun Lances on Page 34 & 35

GUTTER CLEANER – Lance



- 3000 PSI
- 1/4" OC Outlet

Part #	Description
8102.1653.00	Gutter Cleaner, 1/4" Plug Inlet, 7"
8102.1656.00	Gutter Cleaner, M22M Inlet, 29"

HOBBY KIT



- Vari-Nozzle #3
- 24' x 1/4" 3000 PSI Steel Reinforced Rubber Hose
- Front Load Gun @ 2700 PSI
- Molded 36" Split Lance
- M22 Coupler

Part #	Description
8102.2600.00	Gun Lance, Hose Assy & M22 Fitting

HOSE ASSEMBLIES – 3000 PSI



- 3000 PSI Max.
- 250°F, (275°F Intermittent)
- 3/8" M Solid x 3/8" M Swivel
- Bend Restrictors on Both Ends
- Single Wire

Part #	Description
8115.0801.00	3000-25 Hose Assy, Black, 25'
8115.0802.00	3000-50 Hose Assy, Black, 50'
8115.0803.00	3000-100 Hose Assy, Black, 100'
8115.0820.00	3000-25 Hose Assy, Non-Marking Gray, 25'
8115.0821.00	3000-50 Hose Assy, Non-Marking Gray, 50'
8115.0822.00	3000-100 Hose Assy, Non-Marking Gray, 100'

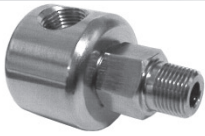
HOSE ASSEMBLIES – 4500 PSI



- 4500 PSI Max.
- 3/8" M Solid x 3/8" M Swivel
- Bend Restrictors on Both Ends
- 250° F, (275° F Intermittent)
- Double Wire

Part #	Description
8115.0810.00	4500-25 Hose Assy, Black, 25'
8115.0811.00	4500-50 Hose Assy, Black, 50'
8115.0813.00	4500-75 Hose Assy, Black, 75'
8115.0812.00	4500-100 Hose Assy, Black, 100'
8115.0830.00	4500-25 Hose Assy, Non-Marking Gray, 25'
8115.0831.00	4500-50 Hose Assy, Non-Marking Gray, 50'
8115.0832.00	4500-100 Hose Assy, Non-Marking Gray, 100'

HOSE REEL SWIVEL



- 4000 PSI
- 3/8" FNPT Inlet
- 3/8" MNPT Discharge
- 400° F Max Temp.

Part #

Description

- 8112.0803.00 Hose Reel Swivel, 90° Rotary Union
 8112.0810.00 Hose Reel Swivel Repair Kit
 *For Hose Reel 8112.0801.00 (Not Pictured) No Longer Available

HOSE REELS



3000 PSI 3500 PSI

- Holds 100' of 3/8" Hose
- 3/8" FNPT Inlet



Stainless Steel

Part #

Description

- 8112.0802.00 Hose Reel, Black, 3000 PSI
 8112.0805.00 Hose Reel, Black, 3500 PSI
 8112.0807.00 Hose Reel, Stainless, 4000 PSI
 8112.0804.00 Hose Reel Swivel, 90°
 8112.0804.01 Repair kit
 *For Hose Reel 8112.0802.00 (3000 PSI)
 8112.0806.00 Hose Reel Swivel, 90°, 250°F
 *For Hose Reel 8112.0805.00 (3500 PSI)
 8112.0808.00 Hose Reel Swivel
 *For Hose Reel 8112.0807.00 (4000 PSI)

INJECTORS – Quick Connect



- 4000 PSI Max
- 200° F Max Temp
- 3/8" Q/C Plug Inlet
- 3/8" Q/C Coupler Outlet
- Brass

Part #

Description

Size GPM

- 8102.2101.00 Injector, Adjustable 2.1mm 3-5



- 3500 PSI Max
- 212° F Max Temp
- 3/8" Q/C Plug Inlet
- 3/8" Q/C Coupler Outlet
- Brass

Part #

Description

Size GPM

- 8402.2101.00 Injector, Adjustable 1.8mm 2-3
 8402.2102.00 Injector, Adjustable 2.1mm 3-5
 8402.2103.00 Injector, Adjustable 2.3mm 5-8

INJECTORS – Downstream

PP400

PP410



PPR410

PPR400

PPR420

- Brass Insert
- 3200 PSI

- Adjustable or Fixed Flow
- 200°F

Part #

Description

Inlet Outlet GPM

8108.2101.00	PP400-1.6 Fixed Chem. Inj.	3/8" M	3/8" M	1-2
8108.2102.00	PP400-1.8 Fixed Chem. Inj.	3/8" M	3/8" M	2-3
8108.2103.00	PP400-2.1 Fixed Chem. Inj.	3/8" M	3/8" M	3-5
8108.2104.00	PP400-2.3 Fixed Chem. Inj.	3/8" M	3/8" M	5-8
8108.2105.00	PP410-1.6 Fixed Chem. Inj.	3/8" F	3/8" M	1-2
8108.2106.00	PP410-1.8 Fixed Chem. Inj.	3/8" F	3/8" M	2-3
8108.2107.00	PP410-2.1 Fixed Chem. Inj.	3/8" F	3/8" M	3-5
8108.2108.00	PP410-2.3 Fixed Chem. Inj.	3/8" F	3/8" M	5-8
8108.2121.00	PPR400-1.6 Adj. Chem. Inj.	3/8" M	3/8" M	1-2
8108.2122.00	PPR400-1.8 Adj. Chem. Inj.	3/8" M	3/8" M	2-3
8108.2123.00	PPR400-2.1 Adj. Chem. Inj.	3/8" M	3/8" M	3-5
8108.2124.00	PPR400-2.3 Adj. Chem. Inj.	3/8" M	3/8" M	5-8
8108.2125.00	PPR410-1.6 Adj. Chem. Inj.	3/8" F	3/8" M	1-2
8108.2126.00	PPR410-1.8 Adj. Chem. Inj.	3/8" F	3/8" M	2-3
8108.2127.00	PPR410-2.1 Adj. Chem. Inj.	3/8" F	3/8" M	3-5
8108.2128.00	PPR410-2.3 Adj. Chem. Inj.	3/8" F	3/8" M	5-8
8108.2147.00	PPR420-2.1 Adj. Chem Inj.	3/8" M	3/8" F	3-5
8108.2148.00	PPR420-2.3 Adj. Chem. Inj.	3/8" M	3/8" F	5-8

INJECTORS – Downstream



- Stainless Steel Insert
- 3500 PSI Max
- Adjustable Chemical Injection
- 212° F Max Temp
- 3/8" MPT Inlet x 3/8" MPT Outlet

Part #

Description

GPM

8402.2122.00	Injector, Adjustable 1.8 mm	2-3
8402.2123.00	Injector, Adjustable 2.1 mm	3-5
8402.2124.00	Injector, Adjustable 2.3 mm	5-8

INJECTORS – Downstream



- Stainless Steel Insert
- 3600 PSI Max
- Adjustable Chemical Injection
- 300° F Max Temp
- 3/8" MPT Inlet x 3/8" MPT Outlet
- **Box Qty 20**

Part #

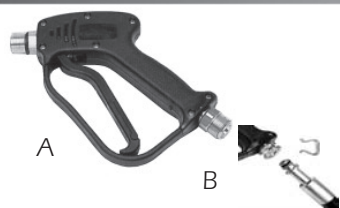
Description

GPM

8107.2122.00	Injector, Adjustable 1.6mm	1-2
8107.2123.00	Injector, Adjustable 1.8mm	2-3
8107.2121.00	Injector, Adjustable 2.1mm	3-5
8107.2124.00	Injector, Adjustable 2.3mm	5-8

KARCHER® & KEW® - Replacement Spray Accessories

GUNS – Aura 210 (Karcher)



- 7 GPM, 3100 PSI, 300° F
- Brass Valve Body
- M22M 1 "O" Ring Inlet
- M22M 2" "O" Ring Discharge
- ø 10 Hose Connection Inlet
- Karcher Direct Replacement
- **Box Qty 40**

Part #	Description	
8107.1667.00	Aura 210 - Karcher	A
8107.1668.00	Aura 210 - 1/4 FNPT Discharge	B
8107.1669.00	Aura 210 - M22M2 "O" Ring Discharge	B

GUNS – Iride 280 (Karcher)



- 8 GPM, 4000 PSI, 300° F
- Brass Valve Body
- M22M 1 "O" Ring Inlet
- M22M 2 "O" Ring Discharge
- Karcher Direct Replacement
- **Box Qty 30**

Part #	Description
8107.1664.00	Iride 280 - Karcher w/Swivel

LANCES – Vented (Karcher)



- 10.5 GPM, 4100 PSI
- 300° F Max.
- M22x1.5F Swivel Inlet
- M18 M + OR Outlet
- **Lance Box Qty 25**
- **Repair Kit Box Qty 10**

Part #	Description
8107.1295.00	Lance, Vented, 35.5", Zinc Plated
8107.1295.01	O-Ring, Lance Repair Kit
8107.1298.00	O-Ring, Lance Repair Kit

SPRAY TIP RETAINER (Karcher)



- M18x1 F Threads
- Brass & Plastic Construction
- **Box Qty 25**

Part #	Description
8107.3000.00	Spray Tip Retainer, Karcher

GUNS – Astra 320 (KEW)



- 10 GPM, 4500 PSI, 300° F
- Brass Valve Body
- European Style Quick Coupling
- KEW Direct Replacement

Part #	Gun Model	Inlet
8107.1673.00	Astra 320	1/2 G M
8107.1674.00	Astra 320	M22M
8107.1676.00	Astra 320	M22M w/Swivel

GUNS – Iride 280 (KEW)



- 8 GPM, 4000 PSI, 300° F
- Brass Valve Body
- European Style Quick Coupling
- KEW Direct Replacement
- **Box Qty 25**

Part #	Gun Model	Inlet
8107.1680.00	Iride 280	3/8 G F
8107.1681.00	Iride 280	1/4 G F
8107.1682.00	Iride 280	3/8 FNPT
8107.1683.00	Iride 280	1/2 G M
8107.1684.00	Iride 280	M22M
8107.1685.00	Iride 280	3/8 G F w/Swivel
8107.1686.00	Iride 280	M22M w/Swivel

LANCES – Dual (KEW)



- 10.5 GPM, 4100 PSI
- 300° F Max.
- "Fast Connect" Inlet
- 1/4" FNPT Outlet
- **Box Qty 15**

Part #	Description
8107.1140.00	Dual Lance, Vertical Knob, Zinc
8107.1141.00	Dual Lance, Side Handle, Zinc

LANCES – Vented (KEW)



- 10.5 GPM, 4100 PSI
- 300° F Max.
- "Fast Connect" Inlet
- 1/4" FNPT Outlet
- **Box Qty 25**

Part #	Description
8107.1290.00	Spray Lance, Vented, 27.5", Zinc Plated
8107.1291.00	Spray Lance, Vented, 47.5", Zinc Plated
8107.1292.00	Spray Lance, Vented, 67", Zinc Plated

PLUG – SS (KEW)



- High Grade 416 Stainless Steel
- **Box Qty 25**

Part #	Description
8107.1677.00	KEW Plug Standard

LANCES – Dual



- 3600 PSI
- 300° F Max.
- 1/8" Seamless Tubing

Part #	Description
8110.1101.00	Dual Lance, Molded Grip, 36" A
8107.1110.00	Dual Lance, Vented Grip, w/Trigger B

LANCES – Dual



- 4100 PSI
- 300° F Max.
- 1/8" Seamless Tubing
- **Box Qty 15**

Part #	Description
8107.1103.00	Molded Grip Economy Dual Lance

LANCES – Dual Vented



- 10.5 GPM; 4100 PSI
- 300° F
- 1/4" Male Inlet
- 1/4" Female Outlet
- **Box Qty 120**

Part #	Description
8107.1101.00	Dual Lance, 42" Stainless Steel
Repair Parts-Box Qty 10	
8107.1101.01	Dual Lance Repair Kit
8107.1101.02	Valve Kit Back-Up Ring
8107.1101.03	Valve Kit "O"Ring
8107.1101.04	Plastic Nozzle Protector

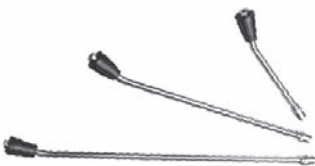
LANCES – Flex



- 194° F
- 10 GPM
- 2250 PSI

Part #	Description
8102.1900.00	Flex Lance, 18" 1/4"M x 1/4"M
8102.1901.00	Flex Lance, 18" 1/4"M x 1/8"F

LANCES – No Grip, M22M



- 10.5 GPM, 4100 PSI
- 300° F
- M22M Inlet
- 1/4" MNPT Discharge
- Zinc Plated Steel Tubing
- **Box Qty 20**

Part #	Description
8107.1245.00	Spray Lance - No Grip, 10"
8107.1246.00	Spray Lance - No Grip, 19.5"
8107.1247.00	Spray Lance - No Grip, 31.5"

LANCES – Straight, Non-Molded



- Seamless, Zinc Plated
- 10.5 GPM, 4100 PSI
- **Box Qty 100**

Part #	Description
8107.1210.00	Spray Lance, Non-Molded 12"
8107.1211.00	Spray Lance, Non-Molded 18"
8107.1212.00	Spray Lance, Non-Molded 24"
8107.1213.00	Spray Lance, Non-Molded 36"
8107.1214.00	Spray Lance, Non-Molded 47"
8107.1216.00	Spray Lance, Non-Molded 59"

LANCES – Straight, Non-Molded



- Seamless, Chrome Plated
- 10.5 GPM, 4000 PSI
- **Box Qty 50**

Part #	Description
8102.1210.00	Spray Lance, Non-Molded 12"
8102.1211.00	Spray Lance, Non-Molded 18"
8102.1212.00	Spray Lance, Non-Molded 24"
8102.1213.00	Spray Lance, Non-Molded 36"
8102.1214.00	Spray Lance, Non-Molded 47"
8102.1216.00	Spray Lance, Non-Molded 59"

LANCES – Straight, Molded Grip



- Seamless, Zinc-Plated Tubing
- 10.5 GPM, 4100 PSI
- 1/4" Male

Part #	Description	Box Qty
8107.1200.00	Lance, Molded, 12"	N/A
8107.1201.00	Lance, Molded, 18"	120
8107.1202.00	Lance, Molded, 24"	60
8107.1203.00	Lance, Molded, 36"	60
8107.1204.00	Lance, Molded, Split, 47"	40
8107.1205.00	Lance, Molded, Split, 59"	75
8107.1206.00	Lance, Molded, Split, 70"	75
8107.1207.00	Lance, Molded, Split, 79"	75

LANCES – Straight, Molded Grip



- Seamless, Chrome-Plated
- 10.5 GPM
- 4000 PSI
- **Box Qty 50**

Part #	Description
8102.1200.00	Spray Lance, Molded Grip, 13"
8102.1201.00	Spray Lance, Molded Grip, 18"
8102.1202.00	Spray Lance, Molded Grip, 24"
8102.1203.00	Spray Lance, Molded Grip, 36"
8102.1204.00	Spray Lance, Molded, Split Grip, 47"
8102.1205.00	Spray Lance, Molded, Split Grip, 59"
8102.1206.00	Spray Lance, Molded, Split Grip, 70"
8102.1207.00	Spray Lance, Molded, Split Grip, 79"

LANCES – Straight, Non-Molded



- 10.5 GPM
- 4100 PSI

Part

Description

8107.1222.00	Spray Lance, Non-Molded 24"
8107.1223.00	Spray Lance, Non-Molded 36"
8107.1224.00	Spray Lance, Non-Molded 48"
8107.1225.00	Spray Lance, Non-Molded 59"
8107.1226.00	Spray Lance, Non-Molded 79"
8107.1227.00	Spray Lance, Non-Molded 84"
8107.1228.00	Spray Lance, Non-Molded 96"

LANCES – Straight, Molded Grip



- Seamless, Zinc Plated Tubing
- 10.5 GPM, 4100 PSI
- **Box Qty 60**

Part

Description

8107.1208.00	Spray Lance, Molded Grip, 27.5"
--------------	---------------------------------

LANCES – Bent, Molded



- 10.5 GPM, 4100 PSI
- 300° F Max.
- Nozzle Protector
- **Box Qty 30**

Part

Description

8107.1270.00	Spray Lance, Molded, 27.5", Zinc
8107.1271.00	Spray Lance, Molded, 35.5", Zinc
8107.1272.00	Spray Lance, Molded, 47.5", Zinc
8107.1273.00	Spray Lance, Molded, 59", Zinc
8107.1274.00	Spray Lance, Molded, 67", Zinc
8107.1275.00	Spray Lance, Molded, 79", Zinc
8107.1280.00	Spray Lance, Molded, 27.5", SS Tubing
8107.1281.00	Spray Lance, Molded, 35.5", SS Tubing
8107.1282.00	Spray Lance, Molded, 47.5", SS Tubing
8107.1283.00	Spray Lance, Molded, 59", SS Tubing
8107.1284.00	Spray Lance, Molded, 67", SS Tubing
8107.1285.00	Spray Lance, Molded, 79", SS Tubing

LANCES – Bent, Vented



- 10.5 GPM, 4100 PSI
- 300° F Max.
- 1/4" Female Discharge
- Nozzle Protector
- **Box Qty 25**

Part

Description

8107.1250.00	Spray Lance, Vented, 27.5", Zinc Plated
8107.1251.00	Spray Lance, Vented, 35.5", Zinc Plated
8107.1252.00	Spray Lance, Vented, 47.5", Zinc Plated
8107.1253.00	Spray Lance, Vented, 59", Zinc Plated
8107.1254.00	Spray Lance, Vented, 67", Zinc Plated
8107.1255.00	Spray Lance, Vented, 79", Zinc Plated
8107.1260.00	Spray Lance, Vented, 27.5", SS Tubing
8107.1261.00	Spray Lance, Vented, 35.5", SS Tubing
8107.1262.00	Spray Lance, Vented, 47.5", SS Tubing
8107.1263.00	Spray Lance, Vented, 59", SS Tubing
8107.1264.00	Spray Lance, Vented, 67", SS Tubing
8107.1265.00	Spray Lance, Vented, 79", SS Tubing

LANCES – Two Piece



- Industrial Grade
- 300° F
- 10.5 GPM
- 4100 PSI
- Molded Grip
- 1/4" MPT x M22F Twist Connect
- Zinc Plated Pipe M22M x 1/4" MPT

Part

Description

8102.4100.00	36" Two Piece Lance w/Coupler
--------------	-------------------------------

LANCES – Vented-S3-350



- 320° F
- 8 GPM, 5100 PSI
- Blue Insulated Grip
- **Box Qty 16**

Part

Description

8116.1200.00	41" Insulated, Stainless Steel
--------------	--------------------------------

LANCES – Side Handle



- For 1/4" Wands
- Durable Rubber Handle
- Non Slip Rubber
- **Box Qty 10**



Part

Description

8102.1248.00	Rubber Handle for 1/4" Lance
8102.1249.00	Rubber Handle with "C" clamp
8102.1247.00	Plastic Handle with "C" clamp

LANCES – Telescoping



- Light Weight **ALUMINUM** Poles
- 200° F
- 4000 PSI
- Includes Support Belt (Aluminum only)

Part

Description

8102.1004.00	Aluminum Wand, 18-foot
8102.1005.00	Aluminum Wand, 24-foot

Part

Repair Parts

8102.1004.01	Replacement Trigger Gun
8102.1602.01	Repair Kit for Trigger Gun
8102.1052.00	Replacement Hose, 18', 1/4" Dia.
8102.1053.00	Replacement Hose, 24', 1/4" Dia.
8102.1004.06	Pole Lock, Large
8102.1004.05	Pole Lock, Small
8102.1004.03	1/4" MNPT 8° Angled Plug
8102.1004.10	18' Wand Sections
8102.1005.10	24' Wand Sections

NEW STYLE


- Heavy Duty **FIBERGLASS** Pole Standard
- 194° F ▪ 4000 PSI

Part # Description

- 8102.1001.99 Telescoping Wand, 12-foot
- 8102.1002.99 Telescoping Wand, 18-foot
- 8102.1003.99 Telescoping Wand, 24-foot
- 8104.1050.00 Telescoping Wand Support Belt

Part # Repair Parts

- 8102.1001.01 Gun, Screw-in, New Style
- 8102.1050.01 Repair Kit for New Style Gun
- 8102.1051.00 Replacement Hose, 12', 1/4" Dia.
- 8102.1052.00 Replacement Hose, 18', 1/4" Dia.
- 8102.1053.00 Replacement Hose, 24', 1/4" Dia.
- 8102.1001.03 Pole Lock, Large
- 8102.1001.04 Pole Lock, Small
- 8102.1001.10 1/4" MNPT 8° Angled Plug
- 8102.1001.20 TW12-2 Black Sections w/ Locks
- 8102.1002.20 TW18-3 Black Sections w/ Locks
- 8102.1002.25 TW18-3 Yellow Sections w/ Locks
- 8102.1003.20 TW24-3 Black Sections w/ Locks
- 8102.1003.25 TW24-3 Yellow Sections w/ Locks


OLD STYLE

Please specify old or new style when ordering replacement parts

Part # Repair Parts

- 8102.1050.00 Gun, Glue-on, Old Style
- 8102.1050.01 Repair Kit for 6040 Trigger Gun
- 8102.1054.00 Pole Lock, Large
- 8102.1055.00 Pole Lock, Small
- 8102.1056.00 1/4" MNPT 8° Angled Plug
- 8102.1058.00 TW18-3 Wand Sections w/ Locks

LANCE – Wand Saver, Fitting


- 212° F
- 10 GPM
- 4000 PSI

Part # Description

- 8402.1328.00 1/4" QC x 1/4" F

NOZZLES – QC & Meg


- High Grade Stainless Steel
- 1/4" QC Plug or Meg Connector


Part # Description

- 8113.1XXX.YY Quick Disconnect Spray Nozzle
- 8114.1XXX.YY Meg Spray Nozzle

***Complete Above Part # Using Table**

*****XXX = Orifice; YY = Fan; Ex: 8114.1055.25 is Meg nozzle with 5.5 orifice and a fan of 25 degrees.**

***Nozzle kits include 8113.3160.00 Soaper nozzle**

NOZZLE KIT – QC 5 Pack
Part # Description

- 8113.1030.99 Nozzle Kit 030
- 8113.1035.99 Nozzle Kit 035
- 8113.1040.99 Nozzle Kit 040
- 8113.1045.99 Nozzle Kit 045
- 8113.1050.99 Nozzle Kit 050
- 8113.1055.99 Nozzle Kit 055
- 8113.1060.99 Nozzle Kit 060
- 8113.1065.99 Nozzle Kit 065
- 8113.1070.99 Nozzle Kit 070

Orifice	0° Red	15° Yellow	25° Green	40° White
2.0	1020.00	1020.15	1020.25	1020.40
2.5	1025.00	1025.15	1025.25	1025.40
3.0	1030.00	1030.15	1030.25	1030.40
3.5	1035.00	1035.15	1035.25	1035.40
4.0	1040.00	1040.15	1040.25	1040.40
4.5	1045.00	1045.15	1045.25	1045.40
5.0	1050.00	1050.15	1050.25	1050.40
5.5	1055.00	1055.15	1055.25	1055.40
6.0	1060.00	1060.15	1060.25	1060.40
6.5	1065.00	1065.15	1065.25	1065.40
7.0	1070.00	1070.15	1070.25	1070.40
7.5	1075.00	1075.15	1075.25	1075.40
8.0	1080.00	1080.15	1080.25	1080.40
8.5	1085.00	1085.15	1085.25	1085.40
9.0	1090.00	1090.15	1090.25	1090.40
9.5	1095.00	1095.15	1095.25	1095.40
10.0	1100.00	1100.15	1100.25	1100.40

NOZZLE – Chemical & Soap


- Low Pressure ▪ Chemical Nozzle

Part # Description

- 8107.3120.00 Nozzle 1/4" NPT 40°, #50, Brass
- 8113.3160.00 Nozzle 1/4" QC, 65°, #40, Brass
- 8113.3162.00 Nozzle 1/4" QC, 65°, #40, Plastic
- 8102.2610.00 Nozzle 1/4" NPT 40°, #30, Brass

NOZZLE – Hi/Lo (IdroJet)



- Twist Action Spray Angle Adjustment
- Push/Pull Pressure Adjustment
- 3000 PSI Max.
- 300° F Max.
- See Chart Below for Sizing

Replacement Nozzle Body

Part #	Description
8108.1419.00	HiLo Nozzle Replacement Body

Part #	Description
8108.1420.00	HiLo Nozzle, 1.05 mm Orifice, Yellow Dot
8108.1421.00	HiLo Nozzle, 1.10 mm Orifice, White Dot
8108.1422.00	HiLo Nozzle, 1.15 mm Orifice, Red Dot
8108.1423.00	HiLo Nozzle, 1.20 mm Orifice, Blue Dot
8108.1424.00	HiLo Nozzle, 1.25 mm Orifice, Brown Dot
8108.1425.00	HiLo Nozzle, 1.30 mm Orifice, Orange Dot
8108.1426.00	HiLo Nozzle, 1.35 mm Orifice, Green Dot
8108.1427.00	HiLo Nozzle, 1.40 mm Orifice, Lt. Blue Dot
8108.1428.00	HiLo Nozzle, 1.45 mm Orifice, Black Dot
8108.1429.00	HiLo Nozzle, 1.50 mm Orifice, Gray Dot
8108.1430.00	HiLo Nozzle, 1.60 mm Orifice, Dk. Grn Dot

ORIFICES – For VapJet & IdroJet

Replacement Orifices

Part #	Description
8108.1420.01	1.05 mm IdroJet Orifice
8108.1421.01	1.10 mm IdroJet Orifice
8108.1422.01	1.15 mm IdroJet Orifice
8108.1423.01	1.20 mm IdroJet Orifice
8108.1424.01	1.25 mm IdroJet Orifice
8108.1425.01	1.30 mm IdroJet Orifice
8108.1426.01	1.35 mm IdroJet Orifice
8108.1427.01	1.40 mm IdroJet Orifice
8108.1428.01	1.45 mm IdroJet Orifice
8108.1429.01	1.50 mm IdroJet Orifice
8108.1430.01	1.60 mm IdroJet Orifice

Replacement Color Dots

Part #	Description
8108.1420.02	Yellow Dot for 1.05mm
8108.1421.02	White Dot for 1.10mm
8108.1422.02	Red Dot for 1.15mm
8108.1423.02	Blue Dot for 1.20mm
8108.1424.02	Brown Dot for 1.25mm
8108.1425.02	Orange Dot for 1.30mm
8108.1426.02	Green Dot for 1.35mm
8108.1427.02	Lt. Blue Dot for 1.40mm
8108.1428.02	Black Dot for 1.45mm
8108.1429.02	Gray Dot for 1.50mm
8108.1430.02	Dk. Green Dot for 1.60mm

DIA. MM	Pressure – PSI											Gallons Per Minute
	600	700	800	900	1000	1200	1500	1800	2000	2500	3000	
1.05	1.22	1.30	1.37	1.45	1.52	1.66	1.86	2.04	2.16	2.42	2.64	
1.10	1.35	1.43	1.52	1.60	1.68	1.84	2.06	2.26	2.39	2.67	2.91	
1.15	1.55	1.63	1.72	1.80	1.88	2.03	2.25	2.46	2.59	2.90	3.17	
1.20	1.60	1.70	1.80	1.90	2.00	2.19	2.45	2.69	2.84	3.17	3.44	
1.25	1.72	1.83	1.94	2.05	2.16	2.36	2.64	2.90	3.06	3.41	3.70	
1.30	1.85	1.97	2.09	2.21	2.32	2.54	2.84	3.12	3.29	3.66	3.96	
1.35	1.97	2.10	2.23	2.36	2.48	2.71	3.04	3.34	3.52	3.92	4.23	
1.40	2.09	2.23	2.37	2.57	2.63	2.89	3.23	3.55	3.74	4.16	4.49	
1.45	2.22	2.37	2.52	2.66	2.80	3.06	3.43	3.77	3.97	4.41	4.76	
1.50	2.34	2.50	2.66	2.81	2.96	3.24	3.63	3.99	4.20	4.66	5.02	
1.60	2.46	2.63	2.80	2.96	3.12	3.42	3.83	4.21	4.43	4.91	5.28	

NOZZLES – Rotating 2500



- Economy Rotating Nozzle
- 2500 PSI
- 130°F Max Temp

Part #	Description	Color
8111.1444.00	ROTOJET 025 Orifice	Lt. Green
8111.1440.00	ROTOJET 030 Orifice	Yellow
8111.1441.00	ROTOJET 035 Orifice	Black
8111.1442.00	ROTOJET 040 Orifice	Blue
8111.1443.00	ROTOJET 045 Orifice	Dk. Green

NOZZLES – Rotating Rotomax™



- 200° F Max. Temp.
- 1/4" FPT Inlet
- See Descriptions for Sizing

Part #	Description
8110.1401.00	(Red) 2.1-2.6 GPM, 1300-2000PSI
8110.1402.00	(Blue) 2.9-4.0 GPM, 1450-3500PSI
8110.1403.00	(Black) 4.5-5.5 GPM, 1450-3500PSI

NOZZLES – Rotating 3600 PSI



- Concentrated Straight Stream in a Conical Pattern
- 3600 PSI, 212° F Max.
- 1/4" FPT Inlet

Part#	Description	Orifice
8111.1429.00	ROTOJET 3600-030	030
8111.1430.00	ROTOJET 3600-035	035
8111.1431.00	ROTOJET 3600-040	040
8111.1432.00	ROTOJET 3600-045	045
8111.1433.00	ROTOJET 3600-050	050
8111.1434.00	ROTOJET 3600-055	055
8111.1435.00	ROTOJET 3600-060	060

ROTOJET 3600 Repair Kits



Part #	Description
8111.1429.01	ROTOJET 3600-030 Kit
8111.1430.01	ROTOJET 3600-035 Kit
8111.1431.01	ROTOJET 3600-040 Kit
8111.1432.01	ROTOJET 3600-045 Kit
8111.1433.01	ROTOJET 3600-050 Kit
8111.1434.01	ROTOJET 3600-055 Kit
8111.1435.01	ROTOJET 3600-060 Kit

NOZZLES – Rotating 4500 PSI



- Concentrated Straight Stream in a Conical Pattern
- 4500 PSI, 212° F Max.
- 1/4" FPT Inlet

Part#	Description	Orifice
8111.1456.00	ROTOJET 4500-030	030
8111.1457.00	ROTOJET 4500-035	035
8111.1450.00	ROTOJET 4500-040	040
8111.1451.00	ROTOJET 4500-045	045
8111.1452.00	ROTOJET 4500-050	050
8111.1453.00	ROTOJET 4500-055	055
8111.1454.00	ROTOJET 4500-060	060
8111.1455.00	ROTOJET 4500-070	070

ROTOJET 4500 Repair Kits



Part #	Description
8111.1456.01	ROTOJET 4500-030 Kit
8111.1457.01	ROTOJET 4500-035 Kit
8111.1450.01	ROTOJET 4500-040 Kit
8111.1451.01	ROTOJET 4500-045 Kit
8111.1452.01	ROTOJET 4500-050 Kit
8111.1453.01	ROTOJET 4500-055 Kit
8111.1454.01	ROTOJET 4500-060 Kit
8111.1455.01	ROTOJET 4500-070 Kit

NOZZLES – Rotating 5800 PSI



- Concentrated Straight Stream in a Conical Pattern
- 5800 PSI, 212° F Max.
- 1/4" FPT Inlet

Part #	Description	Orifice
8111.1400.00	ROTOJET 5800-030	030
8111.1401.00	ROTOJET 5800-035	035
8111.1402.00	ROTOJET 5800-040	040
8111.1403.00	ROTOJET 5800-045	045
8111.1404.00	ROTOJET 5800-050	050
8111.1405.00	ROTOJET 5800-055	055
8111.1406.00	ROTOJET 5800-060	060
8111.1407.00	ROTOJET 5800-070	070
8111.1408.00	ROTOJET 5800-080	080
8111.1410.00	ROTOJET 5800-090	090
8111.1411.00	ROTOJET 5800-100	100
8111.1412.00	ROTOJET 5800-110	110
8111.1409.00	ROTOJET 5800-120	120
8111.1413.00	ROTOJET 5800-150	150

ROTOJET 5800 Repair Kits



Part #	Description
8111.1400.01	ROTOJET 5800-030 Kit
8111.1401.01	ROTOJET 5800-035 Kit
8111.1402.01	ROTOJET 5800-040 Kit
8111.1403.01	ROTOJET 5800-045 Kit
8111.1404.01	ROTOJET 5800-050 Kit
8111.1405.01	ROTOJET 5800-055 Kit
8111.1406.01	ROTOJET 5800-060 Kit
8111.1407.01	ROTOJET 5800-070 Kit
8111.1408.01	ROTOJET 5800-080 Kit
8111.1410.01	ROTOJET 5800-090 Kit
8111.1411.01	ROTOJET 5800-100 Kit
8111.1412.01	ROTOJET 5800-110 Kit
8111.1409.01	ROTOJET 5800-120 Kit
8111.1413.01	ROTOJET 5800-150 Kit

Gallons per Minute Nozzle Size

PSI	030	035	040	045	050	055	060	070	080	120
3000	2.60	3.03	3.46	3.90	4.33	4.76	5.20	6.06	6.96	10.39
4000	3.00	3.50	4.00	4.50	5.00	5.50	6.00	7.00	8.00	12.00
5000	3.35	3.91	4.47	5.03	5.59	6.15	6.71	7.83	8.94	13.42

NOZZLES – Rotating UR25



- 3650 PSI, 212° F Max.
- 7.7 GPM Max.
- 1/4" F Inlet
- **Box Qty 5**

<u>Part #</u>	<u>Description</u>	<u>Orifice</u>
8116.1430.50	UR25 Replacement Cover	
8116.1430.00	UR Nozzle 3650-030	030
8116.1431.00	UR Nozzle 3650-035	035
8116.1432.00	UR Nozzle 3650-040	040
8116.1433.00	UR Nozzle 3650-045	045
8116.1434.00	UR Nozzle 3650-050	050
8116.1435.00	UR Nozzle 3650-055	055
8116.1436.00	UR Nozzle 3650-060	060
8116.1437.00	UR Nozzle 3650-065	065
8116.1438.00	UR Nozzle 3650-070	070
8116.1439.00	UR Nozzle 3650-080	080

NOZZLES – Rotating UR32



- 5100 PSI, 212° F Max.
- 9.0 GPM Max.
- 1/4" F Inlet
- **Box Qty 5**

<u>Part #</u>	<u>Description</u>	<u>Orifice</u>
8116.1450.50	UR32 Replacement Cover	
8116.1450.00	UR Nozzle 5100-030	030
8116.1451.00	UR Nozzle 5100-035	035
8116.1452.00	UR Nozzle 5100-040	040
8116.1453.00	UR Nozzle 5100-045	045
8116.1454.00	UR Nozzle 5100-050	050
8116.1455.00	UR Nozzle 5100-055	055
8116.1456.00	UR Nozzle 5100-060	060
8116.1457.00	UR Nozzle 5100-065	065
8116.1458.00	UR Nozzle 5100-070	070
8116.1459.00	UR Nozzle 5100-080	080

UR Nozzle Repair Kits

<u>Part #</u>	<u>Description</u>	
8116.1430.01	UR Nozzle Repair Kit	030
8116.1431.01	UR Nozzle Repair Kit	035
8116.1432.01	UR Nozzle Repair Kit	040
8116.1433.01	UR Nozzle Repair Kit	045
8116.1434.01	UR Nozzle Repair Kit	050
8116.1435.01	UR Nozzle Repair Kit	055
8116.1436.01	UR Nozzle Repair Kit	060
8116.1437.01	UR Nozzle Repair Kit	065
8116.1438.01	UR Nozzle Repair Kit	070
8116.1439.01	UR Nozzle Repair Kit	080

NOZZLES – Sewer



- 4100 PSI
- Stainless Steel
- Forward Blast to Clear Debris
- Backward Blast to Flush
- **Box Qty 10**

<u>Part #</u>	<u>Description</u>	
8402.3010.00	1/4 FPT Size	#4.5
8402.3011.00	1/4 FPT Size	#6.5
8402.3012.00	1/4 FPT Size	#11
8402.3110.00	1/8 FPT Size	#4.5
8402.3111.00	1/8 FPT Size	#6.5
8402.3112.00	1/8 FPT Size	#11

NOZZLES – Steam



- 1470 PSI
- 1.5mm Orifice
- 1/4" BSP Inlet

<u>Part #</u>	<u>Description</u>
8102.2620.00	Steam Nozzle

NOZZLE – VAPJET



- Variable Pressure
- Variable Spray Angle
- 1/4" FPT Threading
- 3100 PSI, 210° F
- Safety Lip Hand Guard Design
- **Box Qty 25**

<u>Part #</u>	<u>Description</u>
8107.1401.00	VAPJET Nozzle, 1.1 mm Orifice, White
8107.1402.00	VAPJET Nozzle, 1.2 mm Orifice, Yellow
8107.1403.00	VAPJET Nozzle, 1.3 mm Orifice, Orange
8107.1404.00	VAPJET Nozzle, 1.4 mm Orifice, Red
8107.1405.00	VAPJET Nozzle, 1.5 mm Orifice, Blue
8107.1406.00	VAPJET Nozzle, 1.6 mm Orifice, Grey
8107.1407.00	VAPJET Nozzle, 1.7 mm Orifice, Brown
8107.1408.00	VAPJET Nozzle, 1.8 mm Orifice, Green

***Use Chart on Page 41 for Orifice Sizing.**

NOZZLE – Tip Holder, Adjustable



- 1/4" FNPT Threading
- Pressure Adjustment for Chemical Application
- 3600 PSI Max.
- 300° Max.
- **Box Qty 25**

<u>Part #</u>	<u>Description</u>
8107.1450.00	Spray Tip Holder w/o Protector
8107.1451.00	Spray Tip Holder with Protector

NOZZLE – Tip Holder, 1/4"



- 1/4" FNPT Threading
- 3600 PSI Max.
- 300° Max.

Part #	Description
8402.1452.00	Nozzle Protector

OIL – Pump Oil



- Specially Formulated for use in all High-Pressure Industrial Piston Pumps
- Universal Tractor Transmission Oil (UTTO)

Part #	Description
8102.1801.00	Pump Oil, 32 oz. Bottle
8102.1802.00	Pump Oil, Case of 12 Bottles

Comet Industrial Pump Oil is a specially formulated non-detergent, non-foaming oil, which is AW100 rated for superior oxidation protection. Comet recommends changing pump oil after the initial 50 hours of operation and every 300 hours thereafter.

Part #	Description
8102.1811.00	HPP Pump Oil, 5 Gal. Bottle
8102.1822.00	HPP Pump Oil, Case of 2 Bottles

PACKING EXTRACTOR KIT



- For Comet™ Pumps
- Slide Hammer

Part #	Description
0899.0004.00	Extractor Tool, 15 & 18mm
0899.0005.00	Extractor Tool, 20, 22 & 25mm
0899.0006.00	Extractor Hammer
0899.0007.00	Extractor Kit

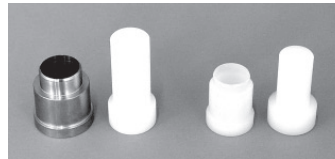
PACKING EXTRACTOR KIT



- For Comet™ Pumps
- Slide Hammer
- 15, 18, 20 and 22 mm Extractors

Part #	Description
8104.2901.00	RPI Packing Extractor Kit
8104.2901.01	Slide Hammer
8104.2901.02	Socket, 15mm
8104.2901.03	Discontinued
8104.2901.04	Discontinued
8104.2901.05	Socket, 22mm

PACKING INSERTION KIT



- For LW, ZW, FW, & HW Pumps
- Increase Efficiency in Pump Repair
- Industrial Grade Materials

Part #	Description
3335.0023.00	Plastic Packing Insertion Kit
3335.0024.00	Tool Kit AXD
Parts for AXD Tool Kit:	
3335.0025.00	Insertion Tool, Front packing
3335.0026.00	Bushing Tool, Front Packing
3335.0027.00	Base
3335.0028.00	Internal Bushing Tool, Back Packing
3335.0029.00	External Bushing Tool, Back Packing
3335.0030.00	Insertion Tool N1, Back Packing
3335.0031.00	Insertion Tool N2, Back Packing

PULSATION DAMPENERS



- 3100 PSI Max.
- 580 PSI Precharge
- 180° F
- **Box Qty 10**

Part #	Description
8107.3200.00	Pulsation Dampener, .02 Gal., 3/8" FPT
8107.3201.00	Pulsation Dampener, .09 Gal., 1/2" FPT
8107.3202.00	Pulsation Dampener, .09 Gal., 3/8" FPT

ROTATING BRUSH



- 8 GPM
- 435 PSI Max.
- Horse Hair Bristles
- **Box Qty 5**

Part #	Description
8108.3302.00	Rotating Brush

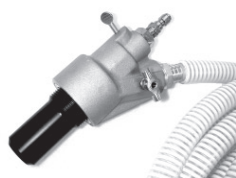
SAND BLASTER – Commercial



- 3600 PSI
- 200° F
- 11 GPM

Part #	Description
8108.1901.00	PP33-1.4 Head Assy 1.4 mm
8108.1903.00	PP33-1.6 Head Assy 1.6 mm
8108.1905.00	Sand Blast Suction Tube
8108.1900.02	Pressure Nozzle, 1.2 mm
8108.1901.02	Pressure Nozzle, 1.4 mm
8108.1902.02	Pressure Nozzle, 1.5 mm
8108.1903.02	Pressure Nozzle, 1.6 mm
8108.1900.01	Alignment Nozzle, 1.2 mm
8108.1901.01	Alignment Nozzle, 1.4 mm
8108.1902.01	Alignment Nozzle, 1.5 mm
8108.1903.01	Alignment Nozzle, 1.6 mm
8108.1906.00	Carbide Insert

SAND BLASTER – Wet, Industrial



- 10 GPM Maximum
- 3 GPM Minimum
- Up to 3500 PSI use 15° tip
- 3500–5500 PSI use 0° tip
- 1500 PSI Minimum Working Pressure

Part #	Description
8103.1901.00	Wet Sand Blast Kit, Complete
8103.1902.00	Sand Probe
8103.1903.00	Tungsten Carbide Nozzle
8103.1904.00	Mixing Head
8103.1905.00	Tip Adapter
8103.1906.00	1/4" Male Plug
8103.1907.00	3/4" Hose Barb
8103.1908.00	5/16" x 1" Thumb Screw
8103.1909.00	3/4" Hose Clamp
8103.1910.00	3/4" Suction Hose (25 ft.)
8103.1911.00	Sandmiser Valve
8103.1313.00	Nozzle Gasket

SLUDGE PUMPS



- 140° F Max.
- 360 PSI

Part #	Description
8000.4000.35	Sludge Pump, 035 Nozzle
8000.4000.40	Sludge Pump, 040 Nozzle
8000.4000.45	Sludge Pump, 045 Nozzle
8000.4000.50	Sludge Pump, 050 Nozzle
8000.4000.55	Sludge Pump, 055 Nozzle
8000.4000.60	Sludge Pump, 060 Nozzle

SLUDGE PUMPS-Industrial



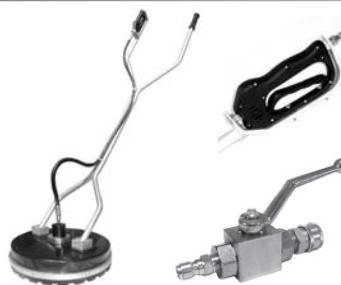
- Extremely High Suction-35' of Lift
- +25% More Flow
- 300' Transfer
- 3/4" Diameter

Sludge Pump and Nozzle sold separately

Order nozzle(s) **B** with Sludge pump **A**

Part #	Description
8000.5001.00	Sludge Pump without Nozzle A
8000.5001.35	Nozzle 035 B
8000.5001.40	Nozzle 040 B
8000.5001.45	Nozzle 045 B
8000.5001.50	Nozzle 050 B
8000.5001.55	Nozzle 055 B
8000.5001.60	Nozzle 060 B

SURFACE CLEANER – RotoBlaster



- 20" Free Floating Dome
- 8 GPM
- 4000 PSI Max.
- 180° F Max. Temp
- 2-Part Handle for Easy Storage and Transport
- Durable 2-Point Handle Attachment
- Rebuildable Rotary Head

Part #	Description
8102.2403.00	RotoBlaster Surface Cleaner, 20" Dia.

Replacement Parts

8102.2403.28	Replacement Trigger Gun
8102.2461.00	Replacement Hose Assembly
8102.2403.11	Replacement Rotary Head
8102.2403.14	Replacement Mounting Collar
8102.2403.19	Replacement Spray Bar
8102.2403.20	Skirt
8102.2403.21	Dome, Black
8102.2403.24	Rotary Head Repair Kit
8102.2403.29	Spray Gun Repair Kit
8102.2403.40	Caster Kit
8102.2490.00	Shut Off Valve Kit

*For additional parts contact Comet

SURFACE CLEANER – Stainless



- 20" Stainless Steel
- 8 GPM
- 4000 PSI Max.
- 180° F Max. Temp
- 2-Part Handle for Easy Storage and Transport
- Durable 2-Point Handle Attachment
- Rebuildable Rotary Head

Part #	Description
8102.2406.00	RotoBlaster Surface Cleaner, 20" Dia.

Replacement Parts

8102.2406.01	Replacement Trigger Gun
8102.2461.00	Replacement Hose Assembly
8102.2454.00	Replacement Rotary Head
8102.2403.14	Replacement Mounting Collar
8102.2406.02	Replacement Spray Bar
8102.2406.03	Skirt
8102.2406.04	Dome, Stainless Steel
8102.2458.00	Rotary Head Repair Kit
8102.1050.01	Spray Gun Repair Kit
8102.2406.05	Caster, Single
8102.2490.00	Shut Off Valve Kit

*For additional parts contact Comet

SURFACE CLEANER – Whirl-A-Way



- 8 GPM Max.
- 4000 PSI Max.
- UV Resistant Dome
- Rebuildable Swivel
- Industrial Duty

Part #	Description
8102.2401.00	Surface Cleaner, 16" Dia., w/Brush
8102.2402.00	Surface Cleaner, 18" Dia., w/Casters
8102.2404.00	Surface Cleaner, 24" Dia., w/Casters

Replacement Parts

8102.2454.00	16 Rotary Head
8102.2455.00	18 Rotary Head
8102.2457.00	24 Rotary Head
8102.2458.00	Rotary Head Repair Kit for All
8102.2470.01	Trigger Gun 16
8102.2406.01	Trigger Gun 18 & 24
8102.2462.00	16 Skirt, Nylon
8102.2456.00	18 Caster
8102.2459.00	24 Caster
8102.2470.00	16 Replacement Spray Bar
8102.2471.00	18 Replacement Spray Bar
8102.2472.00	24 Replacement Spray Bar
8102.2450.00	16 Rotary Head Mounting Bracket
8102.2451.00	18 Rotary Head Mounting Bracket
8102.2453.00	24 Rotary Head Mounting Bracket
8102.2461.00	Replacement Hose for all

*For additional parts contact Comet

SWITCHES – Flow



- 180° F Max.
- 3/8" FPT I/O
- 12v - 240v, 0.8 Amp
- Vertical and Horizontal
- 7.6 GPM, 4350 PSI Max.

Part #	Description
8108.2201.00	Flow Switch, Horizontal
8108.2202.00	Flow Switch, Vertical
8108.2209.00	Replacement Reed Switch

SWITCHES – Vacuum

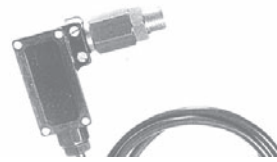


- 140° F Max.
- 1/4" FNPT Port
- 250v, 10 Amp
- **Box Qty 60**

*For Water use Only

Part #	Description
8107.2211.00	Vacuum Switch, (Size 1.5)
8107.2212.00	Vacuum Switch, (Size 2.0)
8107.2213.00	Vacuum Switch, (Size 2.5)
8107.2216.00	Vacuum Switch, (Size 4.0)
8107.2217.00	Vacuum Switch, (Size 4.5)

SWITCHES – Pressure



- 3-Wire Design
- 3600 PSI, 200° F Max.
- 12v - 250v, 15 Amp
- 210, 360 & 580 PSI Switching Pressure
- **Box Qty 50**

Part #	Description	Code
8107.2203.00	Pressure Switch, 210 PSI, 1/4" MPT	BLUE
8107.2204.00	Pressure Switch, 210 PSI, 3/8" MPT	BLUE
8107.2204.01	Repair Kit 210 PSI	
8107.2205.00	Pressure Switch, 360 PSI, 1/4" MPT	RED
8107.2206.00	Pressure Switch, 360 PSI, 3/8" MPT	RED
8107.2201.00	Pressure Switch, 580 PSI, 1/4" MPT	BLACK
8107.2202.00	Pressure Switch, 580 PSI, 3/8" MPT	BLACK
8107.2202.01	Repair Kit 580 PSI	
8107.2201.50	Repair Kit Electric	
8107.2201.01	Replacement Micro Switch	

SWIVEL – High Pressure



- 8.0 GPM Max.; 3600 PSI
- 195 ° F
- 3/8" FNPT x 3/8" MNPT
- Brass Body
- **Box Qty 10**

Part #	Description
8107.3501.00	Swivel, High Pressure

SWIVEL – High Pressure



- 10.5 GPM Max.
- 4100 PSI
- 3/8" FNPT x 3/8" MNPT
- Stainless Steel
- **Box Qty 10**

Part #	Description
8107.3502.00	Swivel, Straight, SS

TAPE – Teflon



- Better Sealing of Threaded Connections
- High Quality
- 1/2" Rolls
- 480" Length
- **Box Quantity 12**

Part #	Description
8102.2900.00	Teflon Tape, Roll

THREAD LOCK



- Replacement for Loctite
- Industrial Size Container
- Medium & Strong
- 250 ml Bottles
- **Box Qty 10**

Part #	Description
8107.3600.00	Thread Lock, Medium 100/200 lbs.
8107.3601.00	Thread Lock, Strong 200/300 lbs.

THERMOSTATS



- 1/2" BSP Probe
- 4000 PSI
- 250V 15A
- Remote Probe Design
- Precise Temperature Control
- 70" Insulated Cap Tube
- **Thermostat Box Qty 100**

Part #	Description
3230.0037.00	194 Thermostat, Remote Probe, 194° F
3230.0036.00	250 Thermostat, Remote Probe, 250° F
3230.0035.00	302 Thermostat, Remote Probe, 302° F
8107.2301.00	194 Thermostat, Remote Probe, 194° F with BSP Bushing
8107.2320.00	Thermostat Well 1/2" F Top, 3/8" x 3
8107.2307.00	Thermostat Probe Sheath
2000.0125.00	Bushing, Brass 1/2" NPT
8107.2310.00	Bushing, Brass 1/2" BSP

THROTTLE CONTROL



- 4000 PSI, 145° F Max.
- 1000 PSI Actuation Pressure
- 3/8" NPT Inlet, 36" Cable

Part #	Description
8102.2701.00	Throttle Control Kit

UNLOADERS – VRP-600



- 21 GPM
- 8100 Rated PSI
- 8700 Max PSI
- 195 ° F Max

Part #	Inlet	Outlet	By-Pass
8116.2506.00	1/2" BSP-F	1/2" BSP-F	1/2" BSP-F

UNLOADERS – VB-80/150 & 280



- 21 GPM
- 195 ° F Max
- 1/2" FNPT Inlet, Outlet & By-Pass

Part #	Rated PSI	Max PSI
8116.2503.00	2200	2450
8116.2504.00	4050	4500

UNLOADERS – VB-350



- 10.5 GPM
- 5100 Rated PSI
- 5650 Max PSI
- 195 ° F Max.

Part #	Inlet	Outlet	By-Pass
8116.2501.00	3/8" BSP-M	3/8" BSP-F	1/2" BSP-F

UNLOADERS – VB-80/400



- 21 GPM
- 195 ° F Max
- 1/2" FNPT Inlet, Outlet & By-Pass

Part #	Rated PSI	Max PSI
8116.2505.00	5800	6500

UNLOADERS – VB-200/150



- 53 GPM
- 2200 Rated PSI
- 2450 Max PSI
- 195° F Max

Part #	Inlet	Outlet	By-Pass
8116.2502.00	1" FPT	1" FPT	1" FPT

UNLOADERS – MG4000



- 10.5 GPM
- Brass Valve Body
- Heavy Duty Design
- Color Coded Design
- 200° F Max.
- **Box Qty 25**
- **Repair Kit Box Qty 10**

Part #	PSI	Inlet/Outlet	By-Pass	Color
8107.2503.00	1,500	3/8"F	3/8" Fx2	Yellow
8107.2533.00	2,900	3/8"F	3/8" Fx2	Red
8107.2530.00	3,650	3/8"F	3/8" Fx2	Blue
8107.2504.00	4,500	3/8"F	3/8" Fx2	Black
8107.2550.00	Unloader Repair Kit, MG4000			
8107.2559.00	Nut, Panel Mounting			

UNLOADERS – BP90 4 in 1 Valve



- Pressure Relief
- EZ-Start
- By-Pass Unloader
- Panel Mount Capability
- Thermal Relief
- **Box Qty 25**

Part #	PSI	Inlet/Outlet	By-Pass	Color
8107.2535.00	1500	3/8" F	1/4" F	Yellow
8107.2536.00	2900	3/8" F	1/4" F	Red
8107.2537.00	3650	3/8" F	1/4" F	Blue
8107.2538.00	4500	3/8" F	1/4" F	Black

UNLOADERS – BP91 2 in 1 Valve



- 8.0 GPM
- 195° F Max.
- Built-in EZ Start Valve
- Color Coded Design
- **Box Qty 25**

Part #	PSI	Inlet	Outlet	By-Pass
8107.2551.00	3650	3/8" F	3/8" F	3/8" F X 2
8107.2552.00	4500	3/8" F	3/8" F	3/8" F X 2

UNLOADERS – BP93 3 in 1 Valve



- 8.0 GPM
- 195° F Max.
- Built-in EZ Start Valve
- Thermal Relief Valve
- **Box Qty 25**

Part #	PSI	Inlet	Outlet	By-Pass
8107.2553.00	3650	3/8" F	3/8" F	1/4" F
8107.2554.00	4500	3/8" F	3/8" F	1/4" F

UNLOADERS – Trapped Pressure



PP550

PP580

- Brass Valve Body
- 200° F Max.
- Adjustment Handle
- 8.0 GPM

Part #	PSI	Inlet/Outlet	By-Pass	
8108.2503.00*	3600	3/8" F	1/4" Fx2	PP550
8108.2504.00	3600	3/8" F	1/4" Fx2	PP550
8108.2506.00	3600	3/8" F	1/4" Fx1	PP580
8108.2503.01	Repair Kit			

* With Built-in EZ Start Valve

UNLOADERS – Trapped Pressure



PP590

PP595

- 8.0 GPM
- 200° F Max.
- Built-in Thermal Relief Valve
- Built-in EZ Start Valve
- Built-in Chemical Injector

Part #	Inlet	Outlet	By-Pass	PSI
8108.2505.00	3/8" M	3/8" M	1/4" F	3600
8108.2503.01	Repair Kit PP590			
8108.2502.00	3/8" F	3/8" F	1/4" F	4000
8108.2502.01	Repair Kit PP595			

UNLOADERS – Trapped Pressure



- Internal Spring Design
- Brass Valve Body
- Adjustment Handle
- 200° F Max. 8 GPM
- Pressure Activated

Part #	PSI	Inlet/Outlet	By-Pass	
8108.2510.00	2000	3/8" M	3/8" F	PP520
8108.2511.00	2600	3/8" M	3/8" F	PP540
8108.2507.00	3200	3/8" M	3/8" F	PP560
8108.2501.01	Repair Kit			

UNLOADERS – VB-285



*Used on ZWD 4040 G Pump

- 8.0 GPM
- 4050 Rated PSI
- 4500 Max PSI
- 195° F Max
- Banjo Kit with Knob
- **Box Qty 20**

Part #	Inlet	Outlet
8116.2500.00	1/2" BSP-F	3/8" BSP-F
8116.2500.02	Banjo Conversion Kit	

UNLOADERS – Pulsar 280



- 8.0 GPM
- 4050 Rated PSI
- 4500 Max PSI
- 195° F Max
- **Box Qty 15**

Part #	Inlet	Outlet
8116.2509.00	3/8" NPT-F	3/8" NPT-F
8116.2510.00 w/EZ Start	3/8" NPT-F	3/8" NPT-F

UNLOADERS – Pulsar 3



- 8.0 GPM
- 195° F Max
- Inlet/By-Pass 3/8" NPT
- Outlet 3/8" NPT
- **Box Qty 15**

Part #	Description
8116.2508.00	Unloader 3650 PSI Max
8116.2515.00	Unloader 1750 PSI Max

UNLOADERS – Trapped Pressure



Banjo Kit

- Eliminates Need for Bypass Hose
- Increases Production Efficiencies
- Compact Design
- Internal Spring

Bolt-On Unloaders Order with Banjo Kits Below

Part #	PSI	GPM	Outlet	Inject.
8108.2559.00	2600	8.0	3/8" MPT	Y PP454
8108.2561.00	2600	8.0	3/8" MPT	N PP545
8108.2555.00	3200	8.0	3/8" MPT	Y PP565
8108.2557.00	3200	8.0	3/8" MPT	N PP566
8108.2550.00	3500	8.0	3/8" MPT	Y PP565
8108.2555.01	Chem Inj for PP565 Unloader			

Banjo Inlet Kits

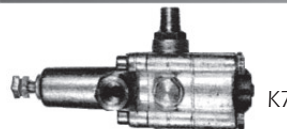
Part #	X-Offset	Y-Offset	Inlet
*8108.2570.00	0.0 mm	63 mm	1/2" FPT
†8108.2571.00	4.5 mm	66 mm	1/2" FPT
°8108.2572.00	19 mm	51 mm	1/2" FPT

*For Comet LW & ZW Series Pumps

† For Comet FW & HW Series Pumps

° For Brands Other Than Comet Pumps

UNLOADERS – Flow Sensing K7



- 165° F Max Temp
- Eliminates Trapped Pressure Between Pump & Gun

Part #	PSI	GPM	Inlet-Outlet	By-Pass
8110.2503.00	0-3000	2.9-4.2	3/8" F 3/8" M	3/8" F
8110.2504.00	0-3000	4.2-6.6	3/8" F 3/8" M	3/8" F

UNLOADER MOUNTING BLOCK



- 5000 PSI Max
- 2 - 3/8" FPT Ports
- Solid Machined Part
- 5/16" x 18 Mounting Holes
- For Remote Mounting of Unloader Valves

Part #	Description
8102.0550.00	Remote Mounting Block, Brass
8102.0551.00	Remote Mounting Block, Aluminum
8102.0552.00	Remote Mounting Block, Zinc Plated

VALVES – EZ Stat



- Release Trapped System Pressure
- For Starting Gasoline Engines
- 5000 PSI Max
- 8 GPM
- **Box Qty 10**

Part #	Description
8107.1750.00	3/8" MPT EZ Valve w/ Hose Barb

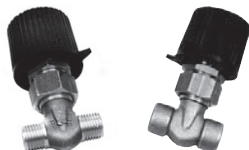
VALVES – Jetter



- Converts Triplex pump to Duplex Pump
- Replaces Inlet Valve Cap

Part #	Used on Pump
0608.0034.00	LW, FW & ZW up to 3200 psi
0608.0035.00	HW, ZW & SW over 3600 psi
0608.0036.00	TW up to 3600 psi
0608.0037.00	TW over 4000 psi

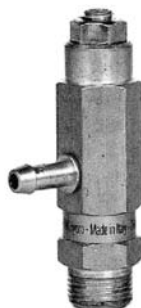
VALVES – Metering



- Precise Chemical Metering
- 3 GPM, 440 PSI Max.
- 100° F Max. Temp.
- **Box Qty 25**

Part #	Description
8107.3400.00	Metering Valve, 1/4" MPT
8107.3401.00	Metering Valve, 1/4" FPT

VALVES – Pressure Relief Adj.



- 3600 PSI
- 8.0 GPM
- 194° F
- Adjustable Pressure Relief
- **Box Qty 25**

Part #	Description
8107.2621.00	3/8" MPT, 1/4" MPT Discharge
8107.2621.01	3/8" MPT, 1/4" Barb Discharge

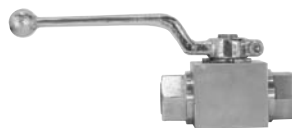
VALVES – Shut-Off, Ball



- 7400 PSI, Industrial Duty
- Chrome Plated Steel Ball
- Zinc Plated Steel Body
- 212° F

Part #	Description	GPM
8109.2601.00	Ball Valve, 1/4" FPT x 1/4" FPT	2.64
8109.2602.00	Ball Valve, 3/8" FPT x 3/8" FPT	6.60
8109.2603.00	Ball Valve, 1/2" FPT x 1/2" FPT	10.57

VALVES – Shut-Off, Ball



- 6000 PSI
- Stainless Steel Body
- 212° F

Part #	Description
8102.2640.00	Ball Valve, 3/8" FPT x 3/8" FPT

VALVES – Shut-Off, Ball



- 3000 PSI
- Brass Body
- 176° F

Part #	Description
8107.2630.00	Ball Valve, 3/8" FPT x 3/8" FPT
8107.2631.00	Ball Valve, 1/2" FPT x 1/2" FPT

VALVES – Pressure Relief



- Compact
- 1/4" MPT Inlet Port
- 3200 PSI
- 5.5 GPM
- 194° F
- Adjustable Pressure Relief
- **Box Qty 25**

Part #	Description
8107.2622.00	Safety Valve, 1/4" MPT x 1/4" MPT
8107.2623.00	Safety Valve, 1/4" MPT x 1/4" Barb

VALVES – Safety Relief



Part #	Description
8107.2620.00	1/4" Male Inlet, 6.3 GPM, 2200 PSI, 195° F
8102.2621.00	3/8" MPT, 6 GPM, 6000 PSI, 195° F

VALVE – Thermal Relief



- 145 PSI Max. Inlet Pressure
- 140° F Relief Temp.
- Protects Pumps from Overheating

Part #	Description
8107.1700.00	Thermal Relief Valve, 3/8"
8107.1701.00	Thermal Relief Valve, 1/2"
1215.0330.00	Thermal Relief Valve, 1/4"
1215.0354.00	Thermal Relief Valve, 3/8"
1215.0355.00	Thermal Relief Valve, 1/2"

WATER BROOM – 12"



- 1/4" OD Plug
- 4000 PSI
- 3 GPM

Part #	Description
8102.2500.00	Water Broom

Conversion Tables & Formulas

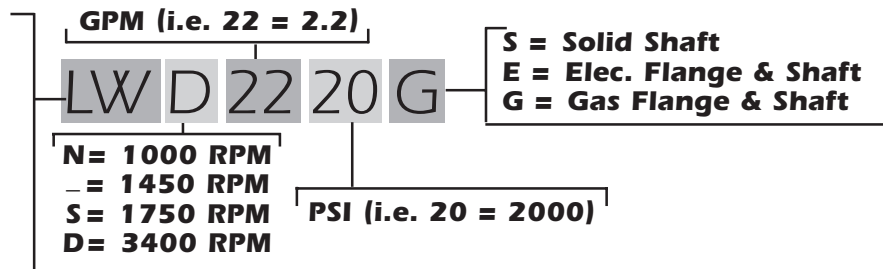
Weights & Volumes			Torque			Length Calculations					
Gal.	x 3.785	=	Liters	NM	=	Ft./lb.	x 1.35	.001 in.	x 25.4	=	Microns
Gal.	x 128	=	Ounces	Ft./lb.	=	NM	/ 1.35	In.	x 25.4	=	MM
Gal.	x 231	=	Cu. In.	In./lb.	=	Ft./lb	x 12	MM	x .03937	=	Inches
Gal.	x 8.3453	=	Pounds					Belt Length =	2 x CD+D+d	x 1.57	
Ltr.	x 61.02	=	Cu. In.	Temperatures							
Ltr.	x 33.82	=	Ounces	°C	=	.555(°F-32)					
Ltr.	x .2642	=	Gallons	°F	=	(1.8°*C)+32					
Ltr.	x 1000	=	Cubic CM	Required Horsepower							
ML (CC)	x .0338	=	Ounces	$\frac{GPM \times PSI}{1460}$	=	Elec. Brake HP					
Gram	x .03527	=	Ounces	$\frac{GPM \times PSI}{1714}$	=	Hydraulic HP					
PSI	x .0680	=	bar.	$\frac{GPM \times PSI}{1100}$	=	Gasoline HP					
Bar	x 14.7	=	PSI								
In. HG	x .4912	=	PSI								
In. H ₂ O	x .8226	=	In. HG								

Nozzles		
Nozzle #	=	$GPM \sqrt{\frac{4000}{PSI}}$
GPM	=	$Nozzle \# \sqrt{\frac{PSI}{4000}}$
PSI	=	$4000 \times \left(\frac{GPM}{Nozzle \#}\right)^2$
Motor Pulley OD	=	$\frac{Pump \ RPM}{Pump \ RPM}$
Pump RPM	=	$\frac{Motor \ Pulley \ OD}{Motor \ Pulley \ OD}$

Sample Pump Model Number

LWD 2220

- GX = Small Axial**
- AX = Large Axial**
- LW = Small Frame**
- ZW = Large Frame**
- FW = Large Frame**
- HW = Large Frame**
- RW = Premium Series**
- SW = Premium Series**
- TW = Premium Series**



Index

A	F	K
Accumulators 44	Filters	KARCHER Accessories 37
Adjustable Thermostat 47	Chemical 31	KEW Accessories 37
Aluminum Lances 39	High Pressure 31	Keys, Engine 31
Anti-Fatigue Strap & Belt 40	Hose Soap Assy 31	
Anti-Freeze 22,29	Inlet 31	L
AX Series Pumps 3,4,21	Suction, Tank 31	Lances
AX Pump Repair Kits 4,23	Y-Intake 32	Aluminum 39
Axle Caps 29	Float Tanks & Valves 32	Dual Lances 37,38
	Flow Switches 46	Flex 38
B	Foam Injector Nozzle 35	Molded Grip Lances 38,39
Ball Valves 49	FW Series Pumps 11,12,13,16	No-Grip Lances 38
Belt 29	FW Pump Repair Kit 11-13,16,23	Side Grip Handles 39
Block, Unloader Mounting 48		Telescoping 39,40
Brass Fittings 32	G	Tip Holder 43,44
Brush-Rotating 44	Garden Hose Fittings 32	Two Piece 39
Burner Rings 29	Gasket, Manifold 22	Vapjet Nozzle 35
Burner Ring Nozzle 29	Gauges-Pressure 32	Vented Grip Lances 37,38,39
Bushing 29	Gear Reducers 32,33	Wand Saver 40
BXD Pumps 2	Gear Reduced Pumps 16	Lock Tight 46
BXD Pump Repair Kits 2,23	GFI 33	LW Series Pumps 5,6,7,8,16,22
	Grommet 29	LW Pump Repair Kits 5,6,7,8,23
C	Guns, Extensions 34	
Carts & Components 29	Gun Lance Combo Guns 34,35	M
Chem. Filter & Hose Assembly 31	Guns, Open 34	Meg Nozzles 40
Chemical Injectors 36	Gun, Trigger Lock 33	Metering Valves 49
Chemical Metering Valve 49	Guns, Trigger 33,34,37	Micro Switch 46
Chemical Spray Nozzles 40	Guns, Weep 33,34	Misting Pumps 21,22
Chemical Suction Filters 31	Gutter Cleaner 35	Molded Grip Lances 38,39
Concrete Cleaners 45,46		Mounting Rails
16" w/ Brush 46	H	5-7,11,12,14,15,17,19,21
18" w/ Casters 46	Hi-Lo Nozzles 41	Mounting Blocks 48
20" w/ Brush 45	Hobby Kit 35	
24" w/ Casters 46	Hose Barbs 32	N
Stainless Steel 45	Hose Reel Swivels 36	Non-Marking Gray Hoses 35
Conversion &	Hose Reels 36	Non-Insulated Wands 38,39
Calculation Chart 50	Hoses 35	Nozzle
Coupler, Insulated 29	Hose Assembly-Soap 31	Burner Ring 29
Coupler, O-Ring 29	Hot Water Seal Kits 23	Chemical & Soap 40
Couplers, Quick Connect 29,30	HPP Series Pumps 24,25,26,27,28	Hi-Lo 41
Couplers, Twist Connect 30	HW Series Pumps 14,15,16	Jetter 43
	HW Pump Repair Kits 14,15,16,23	Kits, QC 40
D		Meg 40
Dual Lances 37,38	I	Quick Connect 40
	Inlet Filters 31	Rotating 41,42,43
E	Injectors 36	Rotomax 41
Easy Start Valves 49	Insertion Tools 44	Sewer 43
Engine Shaft Keys 31		Steam 43
Engine Throttle Control 47	J	Tip Holder 43,44
Extraction Tools 44	Jetter Nozzles 43	VAPJET 43
	Jetter Valve 49	
	Jets-Gas 29	O
		Oil 22,44
		Open Gun 34
		Open Trigger Lock 33
		O-Rings QC Sockets 29

Warranty & Sales Policies

COMET PRODUCT LIMITED WARRANTY

PUMPS

The Comet pump is warranted by the manufacturer to the original purchaser to be free from defects in material and workmanship under normal use and service. "Normal use and service" means not in excess of the recommended maximum speeds, pressures and temperatures or handling fluids not compatible with component materials. This warranty shall not apply to any pump which has been repaired or altered to affect the performance or reliability of the pump.

Warranty does not apply to a) freight damage, b) freezing damage, c) damage caused by parts or accessories not obtained from or approved by Comet, d) damaged by misuse and/or misapplication, e) normal wear of moving parts or components affected by moving parts.

Period of warranty on models; LW, ZW, FW, HW, RW, SW & TW shall be five years from date product is shipped from manufacturer's factory. Period of warranty on AXD models shall be two years and BXD, GXD & VRX models shall be one year from date product is shipped from manufacturer's factory. Period of warranty on HPP models shall be three years from date product is shipped from manufacturer's factory. Liability of manufacturer under the foregoing warranty is limited to repair or replacement at the option of manufacturer of that product, which according to the manufacturer's investigation was deemed defective at time of shipment. This warranty is in lieu

of all other warranties, expressed or implied, including any warranty of merchantability and/or any and all other obligations or liabilities on the part of the manufacturers.

ACCESSORIES

Comet pump accessories are warranted by the manufacturer to the original purchaser to be free from defects in material and workmanship under normal use and service. Normal use and service means not in excess of the recommended maximum speeds, pressures and temperatures or handling fluids not compatible with component materials. This warranty shall not apply to any accessory which has been repaired or altered.

Warranty does not apply to a) freight damage, b) freezing damage, c) damage caused by parts or accessories not obtained from or approved by Comet, d) damaged by misuse and/or misapplication, e) normal wear of moving parts or components affected by moving parts.

Period of warranty shall be 90 days from date product is shipped from manufacturer's factory. Liability of manufacturer under the foregoing warranty is limited to repair or replacement at the option of manufacturer of that product, which according to the manufacturer's investigation was deemed defective at time of shipment. This warranty is in lieu of all other warranties, expressed or implied, including any warranty of merchantability and/or any and all other obligations or liabilities on the part of the manufacturers.

SALES POLICY

Possession of this catalog does not constitute the right to purchase products from Comet. Products are sold to qualified distributors and manufacturers only.

MINIMUM ORDER REQUIREMENTS

There is a \$25 minimum order amount. There is an additional \$8 charge for orders that are drop shipped.

PAYMENT TERMS

Open Account: Net 30 days upon approval of submitted Credit Application.

Past Due Invoices: An invoice is determined to be past due 31 days after the invoice date. (All shipments are invoiced day of shipment.) You will be notified as a reminder of a past due invoice by the Comet credit department. Accounts with invoices 45 days old are automatically placed on credit hold. No shipments will be made until payment is received by Comet.

Returned Checks: A \$25.00 fee will be charged on all returned checks.

ORDER PROCEDURES

Comet's telephone order department is open from 8:00 AM to 5:00 PM Central Time, Monday through Friday, except for selected holidays. When placing an order by phone, please give the following information: Account No., Part Number, and Quantity Ordered. The Comet sales representative will read back the part number, quantity, description and price to eliminate errors. Please listen carefully to verify the correct items are being ordered. Comet is not responsible for shipping charges on items returned as a result of customers ordering a wrong item.

Orders may be placed TOLL FREE by fax at 1-888-708-1895, 24 hours a day, 7 days a week. We recommend this method of ordering to help eliminate ordering errors or misunderstandings. When ordering by fax, give the Part Number, Product Description, Quantity and Price. Special shipping instructions such as Next Day Air should be highlighted/circled for easy identification by our sales person.

All shipping discrepancies must be notified within 5 working days after receipt of order.

FREIGHT

All items will be shipped via UPS or common carrier unless otherwise specified by the customer. All orders will be sent prepaid and added to the invoice.

WARRANTY ITEM RETURNS

Items returned for warranty consideration must have a Returned Goods Authorization (RGA) number and an RGA Claim Form. An RGA # and Claim Form may be obtained by calling the Warranty Department at 1-800-708-1894 (ext. 207). Fill out the form completely to ensure proper processing of warranty. All goods sent to Comet must have an RGA number marked on the outside of the box as well as the RGA Claim Form. Goods must be returned within 30 days of issuance of an RGA#. After 30 days a new # will need to be given. Returned parts must be packaged properly and shipped via PREPAID FREIGHT. Any shipments received collect, without an RGA # or after 30 days will be refused and returned at customer's expense. For claims covered under warranty, items will be shipped to customer via UPS Prepaid, or a credit will be applied to the account. For all repairable items NOT covered under warranty, a bill will be issued for parts and labor. Labor will be billed at \$60.00/hour.

Prices are subject to change without notification.
List prices are FOB Burnsville, MN



Comet Industrial Pump Products

952-707-1894 • Fax 952-707-1895

Toll Free Order Line: 800-708-1894 • Toll Free Fax Line: 888-708-1895

11975 Portland Avenue South, Suite 104 • Burnsville, MN 55337

www.cometpump.com • e-mail: cometpump@cometpump.com