

# CATALOG & PRICE LIST **2008**



**components and accessories  
for high pressure cleaners  
and car wash industry**



*NEW CORPORATE HEADQUARTERS  
OPENING IN THE FALL OF 2008  
CHERASCO, ITALY*



MTM Hydro is not responsible for typographical errors.

© Copyright 2008 MTM Hydro srl

**MTM**  
**Hydro**



MTM Hydro, Srl our Italian parent company has more than thirty years of experience in the field of high-pressure cleaners and car-washing. The MTM Hydro, Inc. branch was created to offer the North American market assistance through a reliable and committed presence. It is our goal to meet the constantly shifting demands of the US market in a rapid and efficient manner.

The use of advanced technologies and the experience of our technicians allows MTM Hydro, SRL to design innovative new products and produce requested customizations.

Customer satisfaction is our most important goal. Throughout our company structure we are committed to the fulfilling our customer's needs.

MTM Hydro, Srl monitors its production in Italy with complete internal cycles in order to ensure the highest level of reliability, flexibility, and accuracy. In fact, they perform all of the production steps: from the initial mold design and creation, plastic injection molding and the metal machining. All of this is performed with CAD-CAM manufacturing system to ensure the highest quality of our products.

These characteristics allow MTM Hydro to not only be a superior supplier but also an ideal partner who is attentive and ready meet the individual needs of your company.

One of the most important investments we have always focused on is our technical and human resources. Through this effort we have been successful in increasing our capabilities in the past and clearly understand that this is what will support our future growth.

This allows MTM Hydro Srl to be confident of its reliability and quality: which have been the fundamental characteristics of their production for many years.

In recognition of all of the efforts made over the years MTM Hydro, Srl has attained the goal of becoming a UNI EN ISO 9001:2000 (ISO 9001-2000) Quality Certified Company, an additional guaranty of reliability!





Today, Eden Prairie is home to more than 2,200 businesses, large and small, high tech and manufacturing, old and new. The city has been recognized as a great place to work and raise a family. Money Magazine® calls Eden Prairie the sixth best place in the United States to live and work. With more than 72 percent of the population under the age of 45, the community has an optimistic eye on the future. It's location near the Minneapolis/St. Paul International Airport is one of the many reasons that Eden Prairie has been chosen as the ideal place to organize MTM Hydro, Inc. support our future North American business plans.



### ASTRA SPRAY GUN 5000 psi

PART NUMBER	INLET	OUTLET	QTY	LIST PRICE
10.0007	3/8 F	1/4 F	30	60.25

### REPAIR KIT FOR ASTRA SPRAY GUN

41.0096				25.50
---------	--	--	--	-------

### ASTRA SPRAY GUN - WEEP

PART NUMBER	INLET	OUTLET	WEEP*	QTY	LIST PRICE
10.0026	3/8 F	1/4 F	.48 GPM	30	68.75

\*weep rate measured at 45psi

### ASTRA SPRAY GUN - LOW PRESSURE WEEP

PART NUMBER	INLET	OUTLET	QTY	LIST PRICE
10.0029*	3/8 F	1/4 F	30	79.00

### ASTRA SPRAY GUN - FREE FLOW THROUGH

PART NUMBER	INLET	OUTLET	Q.TY	LIST PRICE
10.0032	3/8 F	1/4 F	30	36.00

PRESSURE	max. 5000 psi
FLOW	max. 11 USgpm
TEMPERATURE	max. 300°F



### IRIDE SPRAY GUN 4500 psi

PART NUMBER	INLET	OUTLET	QTY	LIST PRICE
10.0011	3/8 G F	1/4 F	30	56.00

### REPAIR KIT FOR IRIDE GUN

41.0097				25.50
---------	--	--	--	-------

### IRIDE SPRAY GUN - WEEP

PART NUMBER	INLET	OUTLET	WEEP*	QTY	LIST PRICE
10.0027	3/8 F	1/4 F	.48 GPM	30	64.50

\*weep rate measured at 45psi

### IRIDE SPRAY GUN - LOW PRESSURE WEEP

PART NUMBER	INLET	OUTLET	QTY	LIST PRICE
10.0030*	3/8 F	1/4 F	30	75.00

### IRIDE SPRAY GUN - FREE FLOW THROUGH

PART NUMBER	INLET	OUTLET	QTY	LIST PRICE
10.0033	3/8 F	1/4 F	30	34.50

PRESSURE	max. 4500 psi
FLOW	max. 8 USgpm
TEMPERATURE	max. 300°F



### AURA SPRAY GUN 3100 psi

PART NUMBER	INLET	OUTLET	QTY	LIST PRICE
10.0017*	3/8 F	1/4 F	40	54.00

### REPAIR KIT FOR AURA GUN

41.0098				25.50
---------	--	--	--	-------

### AURA SPRAY GUN - WEEP

PART NUMBER	INLET	OUTLET	WEEP*	QTY	LIST PRICE
10.0028*	3/8 F	1/4 F	.48 GPM	40	62.00

\*weep rate measured at 45psi

### AURA SPRAY GUN - LOW PRESSURE WEEP

PART NUMBER	INLET	OUTLET	QTY	LIST PRICE
10.0031*	3/8 F	1/4 F	40	72.50

### AURA SPRAY GUN - FREE FLOW THROUGH

PART NUMBER	INLET	OUTLET	QTY	LIST PRICE
10.0034*	3/8 F	1/4 F	40	33.50

PRESSURE	max. 3100 psi
FLOW	max. 7 USgpm
TEMPERATURE	max. 300°F

# SPRAY GUNS

## M407 SPRAY GUN

PART NUMBER	INLET	OUTLET	QTY	LIST PRICE
10.0001	3/8 NPT F	1/4 NPT F	25	45.00
PRESSURE		max. 4000 psi		
FLOW		max. 7 USgpm		
TEMPERATURE		max. 250°F		

## REPAIR KIT FOR M407 SPRAY GUN

41.0002				12.00
---------	--	--	--	-------



## EASY SPRAY GUN - NO FREEZE

PART NUMBER	INLET	OUTLET	QTY	LIST PRICE
10.0035*	1/2 F	Brass	5	218.00
10.0036*	1/2 F	Chrome plated brass	5	260.00

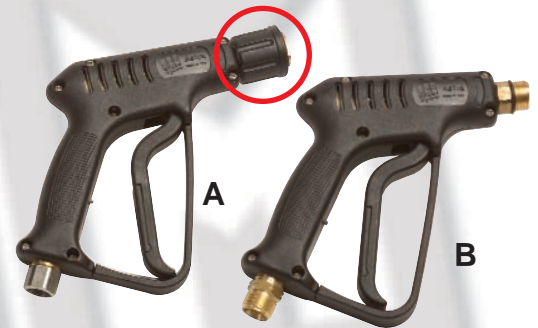
PRESSURE		max. 350 psi
FLOW		max. 18 USgpm
TEMPERATURE		max. 200°F



## ASTRA SPRAY GUN FOR KEW COUPLING

PART NUMBER	INLET	OUTLET	QTY	TYPE	LIST PRICE
10.0009*	3/8 F	spherical quick coupling	25	A	122.00
10.0008	M22M 1 o-ring	M22M 2 o-rings	30	A	75.50
10.0010	M22M swivel	M22M	30	B	97.25

PRESSURE		max. 4660 psi
FLOW		max. 10.5 USgpm
TEMPERATURE		max. 300°F



## IRIDE SPRAY GUN FOR KEW COUPLING

PART NUMBER	INLET	OUTLET	QTY	TYPE	LIST PRICE
10.0014	3/8 F	quick coupling	25	A	118.00
10.0015	3/8 swivel	quick coupling	30	B	139.00
10.0013*	M22M 1 o-rings	M22M 2 o-rings	30	B	71.25

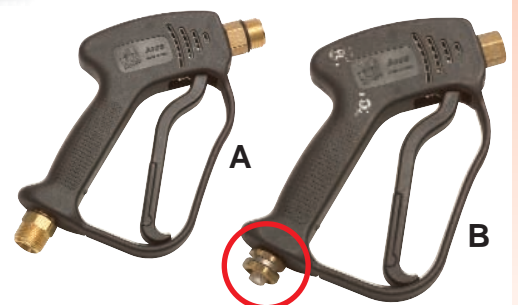
PRESSURE		max. 4100 psi
FLOW		max. 8 USgpm
TEMPERATURE		max. 300°F



## AURA SPRAY GUN FOR KEW COUPLING

PART NUMBER	INLET	OUTLET	QTY	TYPE	LIST PRICE
10.0018*	M22M 1 o-ring	M22M 2 o-rings	40	A	66.75
10.0019*	ø10 mm	1/4 F	40	B	72.50

PRESSURE		max. 3100 psi
FLOW		max. 7 USgpm
TEMPERATURE		max. 300°F



\* Indicates Non-Stock Item. Available by Special Order Only.



### ASTRA "MT2" VENTED

PART NUMBER	PIPE TYPE	INLET	OUTLET	QTY	LIST PRICE
10.0021*	stainless steel	3/8 F	M22 F	20	88.25
10.0020*	zinc plated steel	3/8 F	M22 F	20	83.50
PRESSURE	max. 4660 psi				
FLOW	max. 10.5 USgpm				
TEMPERATURE	max. 300°F				



### IRIDE "MT2" VENTED

PART NUMBER	PIPE TYPE	INLET	OUTLET	QTY	LIST PRICE
10.0023*	zinc plated steel	3/8 F	M22 F	20	79.00
PRESSURE	max. 4100 psi				
FLOW	max. 8 USgpm				
TEMPERATURE	max. 300°F				



### M407 "MT8" VENTED

PART NUMBER	PIPE TYPE	INLET	OUTLET	QTY	LIST PRICE
10.0003	zinc plated steel	3/8 F	M22 F	25	55.00
PRESSURE	max. 4000 psi				
FLOW	max. 7 USgpm				
TEMPERATURE	max. 250°F				



### SPRAY LANCE VARIABLE ANGLE - 3100 psi

PART NUMBER	INLET	OUTLET	LENGTH	QTY	LIST PRICE
14.0067*	M22 M	**	14,6"	20	46.50

\*\* NOZZLE NOT INCLUDED: SEE PAGE 11 FOR THE RECOMMENDED ONES



# LANCE EXTENSIONS



## SPRAY LANCE "MT6"

PART NUMBER	LENGTH	PIPE TYPE	INLET	OUTLET	QTY	LIST PRICE
14.0021*	20"	<i>zinc plated steel</i>	M22 M	1/4 F	20	28.75
14.0023*	28"	<i>zinc plated steel</i>	M22 M	1/4 F	20	29.25
14.0025*	36"	<i>zinc plated steel</i>	M22 M	1/4 F	20	31.00
14.0027*	47"	<i>zinc plated steel</i>	M22 M	1/4 F	20	38.00
14.0020*	20"	<i>stainless steel</i>	M22 M	1/4 F	20	34.75
14.0022*	28"	<i>stainless steel</i>	M22 M	1/4 F	20	39.50
14.0024*	36"	<i>stainless steel</i>	M22 M	1/4 F	20	43.25
14.0026*	47"	<i>stainless steel</i>	M22 M	1/4 F	20	53.50

## NON-MOLDED SPRAY LANCE

PART NUMBER	LENGTH	PIPE TYPE	INLET	OUTLET	QTY	LIST PRICE
14.0011*	10"	<i>zinc plated steel</i>	M22 M	1/4 F	20	21.75
14.0013*	20"	<i>zinc plated steel</i>	M22 M	1/4 F	20	23.75
14.0015*	28"	<i>zinc plated steel</i>	M22 M	1/4 F	20	24.50
14.0017*	36"	<i>zinc plated steel</i>	M22 M	1/4 F	20	24.75
14.0019*	47"	<i>zinc plated steel</i>	M22 M	1/4 F	20	26.00
14.0010*	10"	<i>stainless steel</i>	M22 M	1/4 F	20	24.25
14.0012*	20"	<i>stainless steel</i>	M22 M	1/4 F	20	30.00
14.0014*	28"	<i>stainless steel</i>	M22 M	1/4 F	20	34.50
14.0016*	36"	<i>stainless steel</i>	M22 M	1/4 F	20	36.75
14.0018*	47"	<i>stainless steel</i>	M22 M	1/4 F	20	41.75

## DUAL SPRAY LANCE

PART NUMBER	LENGTH	PIPE TYPE	INLET	OUTLET	QTY	LIST PRICE
<b>WITH HANDLE</b>						
14.0035*	24"	1/8 <i>zinc plated steel</i>	M22 M	1/4 F	20	74.00
14.0039*	24"	1/4 <i>zinc plated steel</i>	M22 M	1/4 F	20	76.50
14.0034*	24"	1/8 <i>stainless steel</i>	M22 M	1/4 F	20	78.50
14.0038*	24"	1/4 <i>stainless steel</i>	M22 M	1/4 F	20	83.50
<b>WITH VERTICAL KNOB</b>						
14.0037*	24"	1/8 <i>zinc plated steel</i>	M22 M	1/4 F	20	69.00
14.0041*	24"	1/4 <i>zinc plated steel</i>	M22 M	1/4 F	20	71.25
14.0036*	24"	1/8 <i>stainless steel</i>	M22 M	1/4 F	20	73.25
14.0040*	24"	1/4 <i>stainless steel</i>	M22 M	1/4 F	20	78.00

## ECO DUAL LANCE

PART NUMBER	LENGTH	PIPE TYPE	INLET	OUTLET	QTY	LIST PRICE
<b>WITH HANDLE</b>						
14.0043*	24"	1/8 <i>zinc plated steel</i>	M22 M	1/4 F	20	70.75
14.0047*	24"	1/4 <i>zinc plated steel</i>	M22 M	1/4 F	20	73.00
14.0042*	24"	1/8 <i>stainless steel</i>	M22 M	1/4 F	20	75.00
14.0046*	24"	1/4 <i>stainless steel</i>	M22 M	1/4 F	20	79.75
<b>WITH VERTICAL KNOB</b>						
14.0045*	24"	1/8 <i>zinc plated steel</i>	M22 M	1/4 F	20	65.50
14.0049*	24"	1/4 <i>zinc plated steel</i>	M22 M	1/4 F	20	66.75
14.0044*	24"	1/8 <i>stainless steel</i>	M22 M	1/4 F	20	69.75
14.0048*	24"	1/4 <i>stainless steel</i>	M22 M	1/4 F	20	74.50

PRESSURE max. 4100 psi  
 FLOW max. 10.5 USgpm  
 TEMPERATURE max. 300°F



\* Indicates Non-Stock Item. Available by Special Order Only.



**BENT LANCE AVAILABLE  
UPON REQUEST**

### SPRAY LANCE "MT2" VENTED

PART NUMBER	LENGTH	PIPE TYPE	OUTLET	QTY	LIST PRICE
12.0003	28"	zinc plated steel	1/4 M	25	20.75
12.0004	36"	zinc plated steel	1/4 M	25	21.50
12.0005	47"	zinc plated steel	1/4 M	25	31.75
12.0006	59"	zinc plated steel	1/4 M	25	36.75
12.0007	79"	zinc plated steel	1/4 M	25	44.25
12.0018	28"	stainless steel	1/4 M	25	30.25
12.0019	36"	stainless steel	1/4 M	25	35.00
12.0020	47"	stainless steel	1/4 M	25	48.00
12.0021	59"	stainless steel	1/4 M	25	55.50
12.0022	79"	stainless steel	1/4 M	25	68.00

PRESSURE max. 4100 psi  
 FLOW max. 10.5 USgpm  
 TEMPERATURE max. 300°F



**BENT LANCE AVAILABLE  
UPON REQUEST**

### SPRAY LANCE "MT3" MOLDED

PART NUMBER	LENGTH	PIPE TYPE	OUTLET	QTY	LIST PRICE
14.0050	28"	zinc plated steel	1/4 M	25	15.50
14.0051	36"	zinc plated steel	1/4 M	25	12.30
14.0052	47"	zinc plated steel	1/4 M	25	24.00
14.0053	59"	zinc plated steel	1/4 M	25	29.50
14.0054	79"	zinc plated steel	1/4 M	25	35.75
14.0055	28"	stainless steel	1/4 M	25	24.00
14.0056	36"	stainless steel	1/4 M	25	27.75
14.0057	47"	stainless steel	1/4 M	25	38.00
14.0058	59"	stainless steel	1/4 M	25	49.00
14.0059	79"	stainless steel	1/4 M	25	61.25

PRESSURE max. 4100 psi  
 FLOW max. 10.5 USgpm  
 TEMPERATURE max. 300°F



### SPRAY LANCE "ROUND" MOLDED

PART NUMBER	LENGTH	PIPE TYPE	OUTLET	QTY	LIST PRICE
12.0463	12"	chrome pltd steel	1/4 M	25	7.00
12.0464	18"	chrome pltd steel	1/4 M	25	8.00
12.0053	28"	chrome pltd steel	1/4 M	25	9.00
12.0054	36"	chrome pltd steel	1/4 M	25	12.00
12.0055	47"	chrome pltd steel	1/4 M	25	17.00
12.0056	59"	chrome pltd steel	1/4 M	25	19.00
12.0057	79"	chrome pltd steel	1/4 M	25	24.00

PRESSURE max. 4100 psi  
 FLOW max. 10.5 USgpm  
 TEMPERATURE max. 300°F



### SIDE HANDLE

PART NUMBER	DESCRIPTION	QTY	LIST PRICE
12.0058	Side handle with brass nut	10	7.50

# SPRAY LANCES



SPRAY LANCE NON-MOLDED CHROME PLATED STEEL				
PART NUMBER	LENGTH	DESCRIPTION	QTY	LIST PRICE
28.0011	12"	non-molded chrome plated steel	25	4.00
28.0012	18"	non-molded chrome plated steel	25	6.00
28.0013	24"	non-molded chrome plated steel	25	7.00
28.0014	36"	non-molded chrome plated steel	25	9.50
28.0008	47"	non-molded chrome plated steel	25	12.25
28.0009	59"	non-molded chrome plated steel	25	16.00
28.0010	79"	non-molded chrome plated steel	25	20.00
1/4" HIGH PRESSURE TUBING		max. 4100 psi		
PRESSURE		max. 10.5 USgpm		
FLOW		max. 300°F		
TEMPERATURE				

SPRAY LANCE NON-MOLDED STAINLESS STEEL				
PART NUMBER	LENGTH	DESCRIPTION	QTY	LIST PRICE
28.0018	12"	non-molded stainless steel	25	8.70
28.0021	18"	non-molded stainless steel	25	12.25
28.0019	24"	non-molded stainless steel	25	13.00
28.0020	36"	non-molded stainless steel	25	15.70
28.0015	47"	non-molded stainless steel	25	29.25
28.0016	59"	non-molded stainless steel	25	36.00
28.0017	79"	non-molded stainless steel	25	48.00
1/4" HIGH PRESSURE TUBING		max. 4100 psi		
PRESSURE		max. 10.5 USgpm		
FLOW		max. 300°F		
TEMPERATURE				

SPRAY LANCE NON-MOLDED ALUMINUM				
PART NUMBER	LENGTH	DESCRIPTION	QTY	LIST PRICE
28.0001	12"	non-molded aluminum	25	4.00
28.0002	18"	non-molded aluminum	25	6.00
28.0003	24"	non-molded aluminum	25	8.00
28.0004	36"	non-molded aluminum	25	11.50
28.0005	47"	non-molded aluminum	25	13.00
28.0006	59"	non-molded aluminum	25	16.50
28.0007	79"	non-molded aluminum	25	22.00
1/4" HIGH PRESSURE TUBING		max. 3600 psi		
PRESSURE				

LANCE FREIGHT SAVER		
PART NUMBER	DESCRIPTION	LIST PRICE
24.0089	freight saver fitting chrome plated steel 1/4" NPT F-1/4" NPT F	2.50

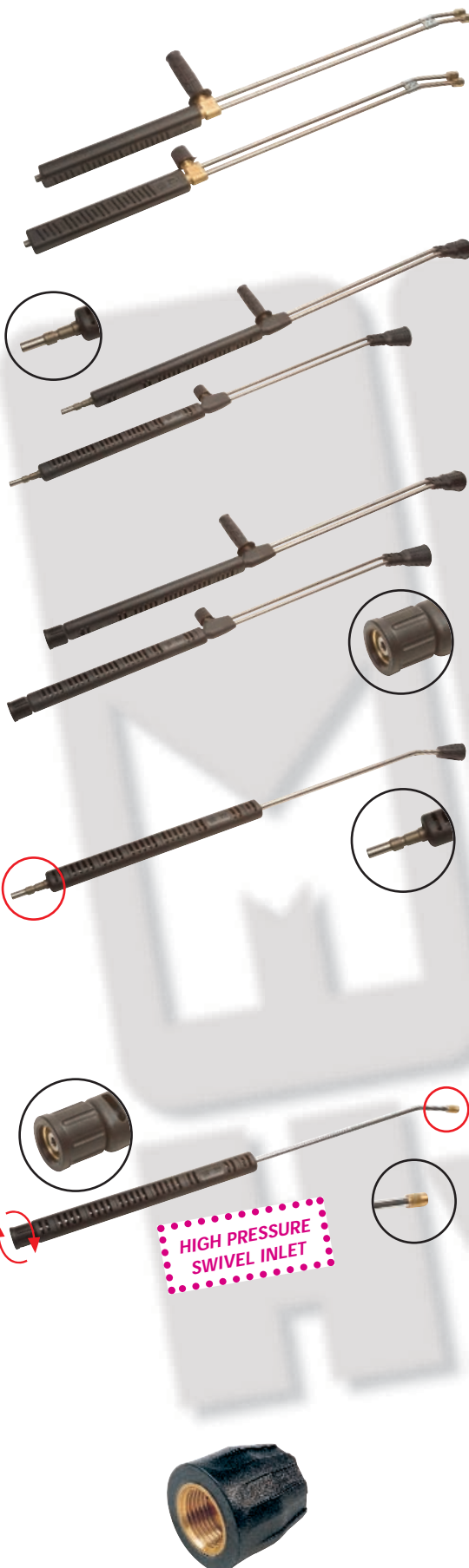
DUAL "MT2" LANCE					
PART NUMBER	LENGTH	PIPE TYPE	OUTLET	QTY	LIST PRICE
<b>WITH HANDLE</b>					
12.0034	42"	1/4 stainless steel	1/4 F	15	101.00
<b>WITH VERTICAL KNOB</b>					
12.0042	42"	1/4 stainless steel	1/4 F	15	96.00
PRESSURE		max. 4100 psi			
FLOW		max. 10.5 USgpm			
TEMPERATURE		max. 300°F			

REPAIR KITS SPRAY LANCE DUAL		
PART NUMBER	DESCRIPTION	LIST PRICE
12.0033	repair kit spray lance dual w/handle	30.25
12.0043	repair kit spray lance dual w/vertical knob	30.25

DUAL LANCE WITH TRIGGER					
PART NUMBER	LENGTH	PIPE TYPE	OUTLET	QTY	LIST PRICE
12.0052	47"	1/8 zinc plated steel	1/4 F	15	110.00
PRESSURE		max. 3600 psi			
FLOW		max. 10.5 USgpm			
TEMPERATURE		max. 300°			

REPAIR KITS SPRAY LANCE DUAL		
PART NUMBER	DESCRIPTION	LIST PRICE
41.0033	repair kit spray lance dual w/trigger	12.50





### DUAL "MT5" LANCE

PART NUMBER	LENGTH	PIPE TYPE	OUTLET	QTY	LIST PRICE
<b>WITH HANDLE</b>					
12.0039	37"	1/8 zinc plated steel	1/4 F	15	85.25
<b>WITH VERTICAL KNOB</b>					
12.0047*	37"	1/8 zinc plated steel	1/4 F	15	77.00
PRESSURE	max. 3600 psi				
FLOW	max. 10.5 USgpm				
TEMPERATURE	max. 300°F				

### DUAL LANCE "MT2" WITH KEW STYLE INLET

PART NUMBER	LENGTH	PIPE TYPE	OUTLET	QTY	LIST PRICE
<b>WITH VERTICAL KNOB</b>					
12.0044*	47"	1/4 stainless steel	1/4 F	15	130.00
<b>WITH HANDLE</b>					
12.0035	47"	1/4 stainless steel	1/4 F	15	136.00
PRESSURE	max. 4100 psi				
FLOW	max. 10.5 USgpm				
TEMPERATURE	max. 300°F				

### DUAL LANCE "MT2" WITH KARCHER STYLE INLET M22F

PART NUMBER	LENGTH	PIPE TYPE	OUTLET	QTY	LIST PRICE
<b>WITH VERTICAL KNOB</b>					
12.0046*	44"	1/4 stainless steel	1/4 F	15	130.00
<b>WITH HANDLE</b>					
12.0037	44"	1/4 stainless steel	1/4 F	15	136.00
PRESSURE	max. 4100 psi				
FLOW	max. 10.5 USgpm				
TEMPERATURE	max. 300°F				

### SPRAY LANCE "MT2" WITH S. STEEL KEW STYLE INLET

PART NUMBER	LENGTH	PIPE TYPE	OUTLET	QTY	LIST PRICE
12.0008*	28"	zinc plated steel	1/4 F	25	55.50
12.0010*	36"	zinc plated steel	1/4 F	25	56.50
12.0012*	47"	zinc plated steel	1/4 F	25	66.75
12.0014*	59"	zinc plated steel	1/4 F	25	72.00
12.0016*	79"	zinc plated steel	1/4 F	25	79.50
12.0023*	28"	stainless steel	1/4 F	25	65.50
12.0025*	36"	stainless steel	1/4 F	25	70.00
12.0027*	47"	stainless steel	1/4 F	25	83.50
12.0029*	59"	stainless steel	1/4 F	25	90.75
12.0031*	79"	stainless steel	1/4 F	25	103.00
PRESSURE	max. 4100 psi				
FLOW	max. 10.5 USgpm				
TEMPERATURE	max. 300°F				

### SPRAY LANCE "MT2" WITH "M22x1.5 F SWIVEL" INLET

PART NUMBER	LENGTH	PIPE TYPE	OUTLET	QTY	LIST PRICE
12.0009*	28"	zinc plated steel	M18 M+or	25	55.50
12.0011*	36"	zinc plated steel	M18 M+or	25	56.50
12.0013*	47"	zinc plated steel	M18 M+or	25	66.75
12.0015*	59"	zinc plated steel	M18 M+or	25	72.00
12.0017*	79"	zinc plated steel	M18 M+or	25	79.50
12.0024*	28"	stainless steel	M18 M+or	25	65.50
12.0026*	36"	stainless steel	M18 M+or	25	70.00
12.0028*	47"	stainless steel	M18 M+or	25	83.50
12.0030*	59"	stainless steel	M18 M+or	25	90.75
12.0032*	79"	stainless steel	M18 M+or	25	103.00
PRESSURE	max. 4100 psi				
FLOW	max. 10.5 USgpm				
TEMPERATURE	max. 300°F				

**HIGH PRESSURE SWIVEL INLET**

### TIP RETAINER M18x1 F

PART NUMBER	THREAD	MATERIAL	QTY	LIST PRICE
24.0039	M18 F	Brass+Plastic	25	4.25

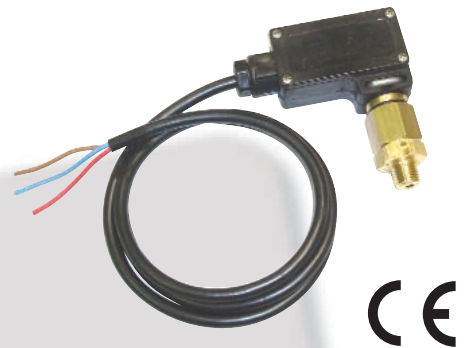
# PRESSURE SWITCHES

**PRESSURE SWITCH "BIG"**

PART NUMBER	TYPE	INLET	PRESSURE ON	QTY	LIST PRICE
21.0016	3 wires	1/4 M	115psi ●	25	37.50
21.0014	3 wires	1/4 M	210psi ●	25	37.50
21.0010	3 wires	1/4 M	360psi ●	25	37.50
21.0011	3 wires	1/4 M	580psi ●	25	37.50
21.0017	3 wires	3/8 M	115psi ●	25	37.50
21.0015	3 wires	3/8 M	210psi ●	25	37.50
21.0012	3 wires	3/8 M	360psi ●	25	37.50
21.0013	3 wires	3/8 M	580psi ●	25	37.50

PRESSURE max. 4100 psi  
 TEMPERATURE max. 195° F  
 VOLTAGE max. 250 V  
 CURRENT INT. max. 15 A

**IP 55**



**REPAIR KIT PRESSURE SWITCH "BIG"**

PART NUMBER	DESCRIPTION	QTY	LIST PRICE
41.0020	electrical 3 wire	25	20.00
41.0021	hydraulic 1/4" M for 115 psi	25	22.50
41.0016	hydraulic 1/4" M for 210 psi	25	22.50
41.0014	hydraulic 1/4" M for 360 psi	25	22.50
41.0015	hydraulic 1/4" M for 580 psi	25	22.50
41.0022	hydraulic 3/8" M for 115 psi	25	22.50
41.0019	hydraulic 3/8" M for 210 psi	25	22.50
41.0017	hydraulic 3/8" M for 360 psi	25	22.50
41.0018	hydraulic 3/8" M for 580 psi	25	22.50
41.0095	micro switch Big	25	5.45

**PRESSURE SWITCH "MICRO"**

PART NUMBER	TYPE	INLET	PRESSURE ON	QTY	LIST PRICE
21.0008*	3 wires	1/8 M	210psi ●	25	27.50
21.0007*	3 wires	1/8 M	360psi ●	25	27.50
21.0009*	3 wires	1/8 M	580psi ●	25	27.50
21.0002*	3 wires	1/4 M	210psi ●	25	27.50
21.0001*	3 wires	1/4 M	360psi ●	25	27.50
21.0003*	3 wires	1/4 M	580psi ●	25	27.50
21.0005*	3 wires	3/8 M	210psi ●	25	27.50
21.0004*	3 wires	3/8 M	360psi ●	25	27.50
21.0006*	3 wires	3/8 M	580psi ●	25	27.50

PRESSURE max. 4100 psi  
 TEMPERATURE max. 195° F  
 VOLTAGE max. 250 V  
 CURRENT INT. max. 5 A

**IP 55**



**REPAIR KIT PRESSURE SWITCH "MICRO"**

PART NUMBER	DESCRIPTION	QTY	LIST PRICE
41.0008*	electrical 3 wire	25	17.00
41.0013*	hydraulic 1/8" M for 210 psi	25	15.75
41.0009*	hydraulic 1/8" M for 360 psi	25	15.75
41.0010*	hydraulic 1/8" M for 580 psi	25	15.75
41.0011*	hydraulic 1/4" M for 210 psi	25	15.75
41.0004*	hydraulic 1/4" M for 360 psi	25	15.75
41.0005*	hydraulic 1/4" M for 580 psi	25	15.75
41.0012*	hydraulic 3/8" M for 210 psi	25	15.75
41.0006*	hydraulic 3/8" M for 360 psi	25	15.75
41.0007*	hydraulic 3/8" M for 580 psi	25	15.75

\* Indicates Non-Stock Item. Available by Special Order Only.



## VACUUM SWITCH

PART NUMBER	INLET	SWITCHING WITH VACUUM AT.	QTY	LIST PRICE
21.0018	1/4 F	1.5" Hg	60	33.00
21.0019	1/4 F	2.0" Hg	60	33.00
21.0020	1/4 F	2.5" Hg	60	33.00
21.0021	1/4 F	4.0" Hg	60	33.00
21.0022	1/4 F	4.5" Hg	60	33.00

TEMPERATURE max. 131° F  
 RATED VOLTAGE max. 250 V  
 CURRENT INT. max. 16 A (10 A)  
 SWITCH Norm. Open

FOR ELECTRIC MOTORS AND ENGINES UP TO 2 H.P.



## FLOW SWITCHES

PART NUMBER	TYPE	INLET	PRESSURE MAX	QTY	LIST PRICE
21.0026	horizontal	3/8 M	4350 psi	25	92.75
21.0027	vertical	3/8 M	4350 psi	25	96.00

PRESSURE max. 4350 psi  
 TEMPERATURE max. 180° F  
 FLOW max. 8 gpm  
 VOLTAGE 12 - 250 V  
 AMPERAGE max. 0.8 A



## REMOTE THERMOSTAT WITH PROBE (adapter plug included)

PART NUMBER	CONNECTION	MAX TEMP.	COIL LENGHT	QTY	LIST PRICE
21.0023	1/2 M	195°F	59"	20	54.00
21.0024	1/2 M	248°F	72"	20	55.50
21.0025	1/2 M	300°F	72"	20	55.50

VOLTAGE max 250 V  
 AMPERAGE max 15 A  
 PROBE 7x120 mm



## THERMOSTAT WELL HOUSING

PART NUMBER	CONNECTION	INLET	OUTLET	QTY	LIST PRICE
22.0091	1/2 F	3/8 F	3/8 F + 3/8 F	20	25.75

PRESSURE max. 4660 psi  
 TEMPERATURE max 320° F  
 MATERIAL BRASS



## UNLOADER BLOCKS

PART NUMBER	MATERIAL	INLET	OUTLET	QTY	LIST PRICE
22.0103	BRASS	3/8" F	3/8" F	20	40.00
22.0104	BRASS	1/2" F	1/2" F	20	40.00

# NOZZLE HOLDERS & ADJUSTABLE NOZZLES



## DUAL ROLLOVER NOZZLE HOLDER

PART NUMBER	INLET	OUTLET	QTY	LIST PRICE
16.0129	1/4" NPT F	1/4" NPT F-1/4" NPT F	25	15.00
PRESSURE		max. 3200 psi		
FLOW		max. 10.5 USgpm		
TEMPERATURE		max. 195°F		



## HYPERJET ADJUSTABLE PRESSURE NOZZLE

PART NUMBER	INLET	OUTLET	QTY	LIST PRICE
16.0062	1/4 F	1/4 F	25	21.00
PRESSURE	max. 3600 psi			
TEMPERATURE	max. 300°F			



## HYPERJET PLUS ADJUSTABLE PRESSURE NOZZLE

PART NUMBER	INLET	OUTLET	QTY	LIST PRICE
16.0061	1/4 F	1/4 F	25	23.75
PRESSURE	max. 3600 psi			
TEMPERATURE	max. 300°F			



## DUALJET HI LO VARIABLE SPRAY ANGLE NOZZLE

PART NUMBER	INLET	NOZZLE	QTY	LIST PRICE
16.0017	1/4 F	**	25	16.50
PRESSURE	max. 3000 psi			
TEMPERATURE	max. 300°F			
** Nozzle not included: see below for the recommended one				



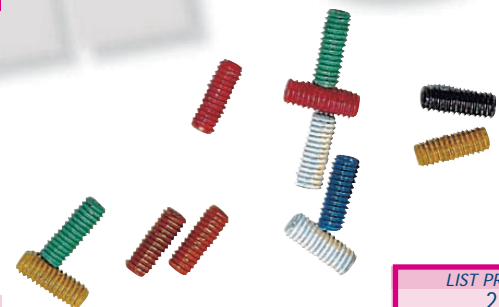
## DUALJET VARIABLE SPRAY ANGLE NOZZLE

PART NUMBER	INLET	NOZZLE	QTY	LIST PRICE
16.0035	1/4 F	**	25	15.50
PRESSURE	max. 3000 psi			
TEMPERATURE	max. 300°F			
** Nozzle not included: see below for the recommended one				



## DUALJET ORIFICES

CODE	Ø	Pressure (psi)									
		1500	1600	1700	1800	2000	2250	2500	2700	3000	
17.0001	1.1 - 03	1.9	2.0	2.0	2.0	2.2	2.4	2.5	2.6	2.7	
17.0002	1.2 - 035	2.3	2.3	2.4	2.4	2.6	2.8	3.0	3.1	3.3	
17.0003	1.3 - 045	2.7	2.8	2.8	2.8	3.0	3.3	3.6	3.6	3.8	
17.0004	1.4 - 05	3.1	3.2	3.3	3.3	3.5	3.8	4.1	4.2	4.4	
17.0005	1.5 - 055	3.6	3.6	3.7	3.8	4.0	4.4	4.7	4.8	5.1	
17.0006	1.6 - 065	4.1	4.2	4.2	4.3	4.6	5.0	5.4	5.5	5.8	
17.0007	1.7 - 075	4.6	4.7	4.8	4.9	5.2	5.7	6.1	6.2	6.5	
17.0008	1.8 - 08	5.2	5.3	5.4	5.4	5.8	6.4	6.8	6.9	7.3	



Flow (US gpm)

LIST PRICE  
2.25

# HIGH PRESSURE HOT WATER HOSE



HIGH TENSILE STEEL WIRE BRAID REINFORCEMENT 3/8" NPT M SOLID & SWIVEL ENDS WITH BLACK BEND RESTRICTORS ABRAISON AND WEATHER RESISTANT SYNTHETIC RUBBER OUTER COVER

## KOBRAJET 3000 PSI 1 WIRE BLACK

PART NUMBER	DESCRIPTION	LIST PRICE
30.0044	hose assembly 3/8 x 25	65.25
30.0045	hose assembly 3/8 x 50	115.75
30.0046	hose assembly 3/8 x 75	166.00
30.0047	hose assembly 3/8 x 100	216.25

TEMPERATURE RANGE -40°F to +310°F

## KOBRAJET 4000 PSI 1 WIRE BLACK

PART NUMBER	DESCRIPTION	LIST PRICE
30.0048	hose assembly 3/8 x 25	67.75
30.0049	hose assembly 3/8 x 50	118.75
30.0050	hose assembly 3/8 x 75	169.25
30.0051	hose assembly 3/8 x 100	220.00

TEMPERATURE RANGE -40°F to +310°F

## KOBRAJET 5800 PSI 2 WIRE BLACK

PART NUMBER	DESCRIPTION	LIST PRICE
30.0052	hose assembly 3/8 x 25	87.50
30.0053	hose assembly 3/8 x 50	151.50
30.0054	hose assembly 3/8 x 75	214.75
30.0055	hose assembly 3/8 x 100	278.50

TEMPERATURE RANGE -40°F to +310°F

## KOBRAJET 3000 PSI 1 WIRE NON MARKING BLUE

PART NUMBER	DESCRIPTION	LIST PRICE
29.0005	hose assembly 3/8 x 25	67.75
29.0006	hose assembly 3/8 x 50	120.75
29.0007	hose assembly 3/8 x 75	173.50
29.0008	hose assembly 3/8 x 100	226.25

TEMPERATURE RANGE -40°F to +310°F

## KOBRAJET 4000 PSI 1 WIRE NON MARKING BLUE

PART NUMBER	DESCRIPTION	LIST PRICE
29.0009	hose assembly 3/8 x 25	70.25
29.0010	hose assembly 3/8 x 50	123.25
29.0011	hose assembly 3/8 x 75	176.75
29.0012	hose assembly 3/8 x 100	229.50

TEMPERATURE RANGE -40°F to +310°F

## KOBRAJET 5800 PSI 2 WIRE NON MARKING BLUE

PART NUMBER	DESCRIPTION	LIST PRICE
29.0014	hose assembly 3/8 x 25	89.50
29.0015	hose assembly 3/8 x 50	156.75
29.0016	hose assembly 3/8 x 75	222.50
29.0017	hose assembly 3/8 x 100	287.50

TEMPERATURE RANGE -40°F to +310°F





# HIGH PRESSURE HOSE



## CUSTOM ASSEMBLIES

PART NUMBER	DESCRIPTION	LIST PRICE
40.0029	Bulk Hose 3/8 3000 psi, Black per Foot	2.50
40.0024	Bulk Hose 3/8 3000 psi, Non Marking Blue, per Foot	2.65
40.0025	Bulk Hose 3/8 4000 psi, Black per Foot	2.60
40.0026	Bulk Hose 3/8 4000 psi, Non Marking Blue, per Foot	2.75
40.0027	Bulk Hose 3/8 5800 psi, Black per Foot	3.30
40.0028	Bulk Hose 3/8 5800 psi, Non Marking Blue, per Foot	3.50
24.0159	Rigid Hose End, 3/8 MPT installed	10.70
24.0161	Swivel Hose End, 3/8 MPT installed	15.55
39.0047	Bend Restrictors Qty. Black, Length 6"	2.10



## FITTING UPGRADES

PART NUMBER	DESCRIPTION	LIST PRICE
24.0186	3/8" Brass QC Coupler & Plated Steel Plug Installed	9.70
24.0189	3/8" SS QC Coupler & SS Plug Installed	15.50
24.0192	3/8" M22 F Coupler (Qty 2) Installed	12.80

## 4000 PSI HIGH PRESSURE COLD WATER HOSE

PART NUMBER	DESCRIPTION	LIST PRICE
30.0057	hose assembly 5/16 x 30'	63.50
30.0060	hose assembly 5/16 x 50'	86.25
30.0063	hose assembly 3/8 x 50'	97.75

SINGLE WIRE 4000 PSI RATED  
DELUXE NON MARKING  
SANTOPRENE COVER  
MAX TEMPERATURE 140°F



## HIGH PRESSURE CONSUMER HOSE 3000 PSI

PART NUMBER	DESCRIPTION	QTY	LIST PRICE
30.0056	black 1/4" x 25' hose assembly M22f w/14 & 15 mm adapter	5	42.00



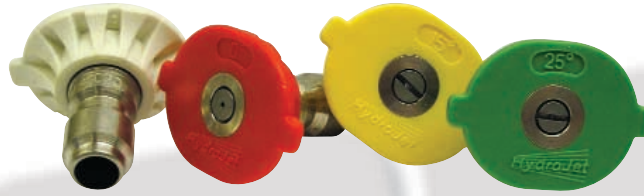
## JUMPER HOSE / WHIP LINES 4000 PSI

PART NUMBER	LENGTH	QTY	LIST PRICE
30.0026	3/8" x 2'	5	31.50
30.0027	3/8" x 3'	5	34.00
30.0028	3/8" x 4'	5	36.75
30.0029	3/8" x 5'	5	39.25
30.0030	3/8" x 6'	5	41.75
30.0031	3/8" x 8'	5	47.00
30.0032	3/8" x 10'	5	52.50

## JUMPER HOSE / WHIP LINES 5800 PSI

PART NUMBER	LENGTH	QTY	LIST PRICE
30.0034	3/8" x 2'	5	33.00
30.0035	3/8" x 3'	5	36.25
30.0036	3/8" x 4'	5	39.25
30.0037	3/8" x 5'	5	42.25
30.0038	3/8" x 6'	5	45.25
30.0039	3/8" x 8'	5	51.75
30.0040	3/8" x 10'	5	58.25





### HYDROJET 1/4 QC NOZZLE COLOR CODED QUICK CONNECT SPRAY NOZZLES

	2.0	2.5	3.0	3.5	4.0	4.5	5.0	5.5	6.0	6.5	7.0	7.5	8.0	8.5	9.0	9.5	10.0	LIST PRICE
0 DEG	17.0138	17.0145	17.0152	17.0159	17.0166	17.0173	17.0180	17.0187	17.0194	17.0201	17.0546	17.0550	17.0554	17.0558	17.0562	17.0566	17.0570	5.00
15 DEG	17.0139	17.0146	17.0153	17.0160	17.0167	17.0174	17.0181	17.0188	17.0195	17.0202	17.0547	17.0551	17.0555	17.0559	17.0563	17.0567	17.0571	5.00
25 DEG	17.0140	17.0147	17.0154	17.0161	17.0168	17.0175	17.0182	17.0189	17.0196	17.0203	17.0548	17.0552	17.0556	17.0560	17.0564	17.0568	17.0572	5.00
40 DEG	17.0141	17.0148	17.0155	17.0162	17.0169	17.0176	17.0183	17.0190	17.0197	17.0204	17.0549	17.0553	17.0557	17.0561	17.0565	17.0569	17.0573	5.00



### 1/4 THREADED HYDROJET NOZZLES

	2.0	2.5	3.0	3.5	4.0	4.5	5.0	5.5	6.0	6.5	7.0	7.5	8.0	8.5	9.0	9.5	10.0	LIST PRICE
0 DEG	17.0208	17.0212	17.0216	17.0220	17.0224	17.0228	17.0232	17.0236	17.0240	17.0244	17.0602	17.0606	17.0610	17.0614	17.0618	17.0622	17.0626	5.50
15 DEG	17.0209	17.0213	17.0217	17.0221	17.0225	17.0229	17.0233	17.0237	17.0241	17.0245	17.0603	17.0607	17.0611	17.0615	17.0619	17.0623	17.0627	5.50
25 DEG	17.0210	17.0214	17.0218	17.0222	17.0226	17.0230	17.0234	17.0238	17.0242	17.0246	17.0604	17.0608	17.0612	17.0616	17.0620	17.0624	17.0628	5.50
40 DEG	17.0211	17.0215	17.0219	17.0223	17.0227	17.0231	17.0235	17.0239	17.0243	17.0247	17.0605	17.0609	17.0613	17.0617	17.0621	17.0625	17.0629	5.50



### 1/8 THREADED HYDROJET NOZZLES

	2.0	2.5	3.0	3.5	4.0	4.5	5.0	5.5	6.0	6.5	7.0	7.5	8.0	8.5	9.0	9.5	10.0	LIST PRICE
0 DEG	17.0634	17.0638	17.0642	17.0646	17.0650	17.0654	17.0658	17.0662	17.0666	17.0670	17.0674	17.0678	17.0682	17.0686	17.0690	17.0694	17.0698	5.50
15 DEG	17.0635	17.0639	17.0643	17.0647	17.0651	17.0655	17.0659	17.0663	17.0667	17.0671	17.0675	17.0679	17.0683	17.0687	17.0691	17.0695	17.0699	5.50
25 DEG	17.0636	17.0640	17.0644	17.0648	17.0652	17.0656	17.0660	17.0664	17.0668	17.0672	17.0676	17.0680	17.0684	17.0688	17.0692	17.0696	17.0700	5.50
40 DEG	17.0637	17.0641	17.0645	17.0649	17.0653	17.0657	17.0661	17.0665	17.0669	17.0673	17.0677	17.0681	17.0685	17.0689	17.0693	17.0697	17.0701	5.50

# SPRAY NOZZLE PACKS



## HYDROJET 1/4 QC 4 PACKS

INCLUDES 0°, 15°, 25° & 40° QC NOZZLE

PART NUMBER	LIST PRICE
3.0	17.0156
3.5	17.0163
4.0	17.0170
4.5	17.0177
5.0	17.0184
5.5	17.0191
6.0	17.0198
6.5	17.0205

## HYDROJET 1/4 QC 5 PACKS

INCLUDES 0°, 15°, 25°, 40° & 6540 SOAP NOZZLE

PART NUMBER	LIST PRICE
3.0	17.0157
3.5	17.0164
4.0	17.0171
4.5	17.0178
5.0	17.0185
5.5	17.0192
6.0	17.0199
6.5	17.0206

## BRASS SOAP NOZZLES

PART NUMBER	TYPE	SIZE	QTY	LIST PRICE
17.0024	1/4" NPT M	6540	10	2.50

## BRASS SOAP NOZZLES

PART NUMBER	TYPE	SIZE	QTY	LIST PRICE
17.0025	1/4" QC	6540	10	2.50

## NOZZLE CLEANERS

PART NUMBER	TYPE	QTY	LIST PRICE
17.0702	PLASTIC 1/4" QC	10	2.00
17.0703	BRASS 1/4" QC	10	7.75

## NOZZLE PROTECTORS

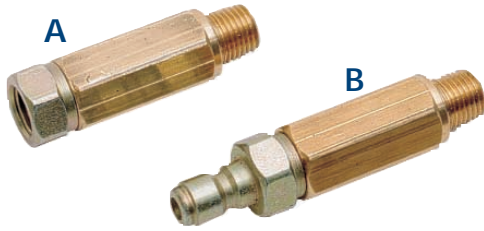
PART NUMBER	TYPE	QTY	LIST PRICE
41.0090	1/4" NPT DELUXE 3 PIECE	50	5.00
41.0091	1/4" NPT 2 PIECE	50	3.00



## NOZZLE SELECTION CHART

To select the correct nozzle from the chart below select the GPM of your machine from the left hand column. Second select the PSI of your machine from the top line of the chart. Where the GPM row and PSI column meet is the proper size nozzle for your machine.

		PSI									
		500	1000	1500	2000	3000	3500	4000	4500	5000	6000
GPM	2.0	5.5	4.0	3.5	3.0	2.5	2.0	2.0	2.0	2.0	1.5
	2.5	7.0	5.0	4.0	3.5	3.0	2.5	2.5	2.5	2.0	2.0
	3.0	8.5	6.0	5.0	4.0	3.5	3.0	3.0	3.0	2.5	2.5
	3.5	10	7.0	5.5	5.0	4.0	3.5	3.5	3.5	3.0	3.0
	4.0	12	8.0	6.5	5.5	4.5	4.5	4.0	4.0	3.5	3.5
	4.5	13	9.0	7.5	6.5	5.0	5.0	4.5	4.0	4.0	3.5
	5.0	15	10	8.0	7.0	6.0	5.5	5.0	4.5	4.5	4.0
	5.5	20	11	9.0	8.0	6.5	6.0	5.5	5.0	5.0	4.5
	6.0	20	12	10	8.5	7.0	6.5	6.0	5.5	5.5	5.0
	6.5	20	13	11	9.0	7.5	7.0	6.5	6.0	6.0	5.5
	7.0	20	15	12	10	8.0	7.5	7.0	6.5	6.5	5.5
	7.5	30	15	12	11	8.5	8.0	7.5	7.0	6.5	6.0
8.0	30	20	13	12	9.0	8.5	8.0	7.5	7.0	6.5	
8.5	30	20	15	12	10	9.0	8.5	8.0	7.5	7.0	
9.0	30	20	15	13	11	10	9.0	8.5	8.00	7.5	
10	30	20	20	15	12	11	10	10	9.0	8.0	
12	40	30	20	20	15	13	12	12	11	10	



## HIGH PRESSURE FILTER

PART NUMBER	IN-OUT	STRAINER	TYPE	QTY	LIST PRICE
23.0013	1/4 F - 1/4 M	280 micron	A	20	15.00
23.0014	1/4 M Q.C. plug	280 micron	B	20	16.50
PRESSURE		max. 6000 psi			
TEMPERATURE		max. 300°F			

## REPAIR KIT

41.0035	high pressure filter repair kit	8.30
---------	---------------------------------	------



## TURBO NOZZLES 2300 psi

PART NUMBER	INLET	NOZZLE	QTY	LIST PRICE
16.0063	1/4 F	025	10	60.50
16.0064	1/4 F	030	10	60.50
16.0065	1/4 F	035	10	60.50
16.0066	1/4 F	040	10	60.50
16.0067	1/4 F	045	10	60.50
TEMPERATURE		max. 140°F		



## TURBO NOZZLES 3000 psi

PART NUMBER	INLET	NOZZLE	QTY	LIST PRICE
16.0114	1/4 F	030	10	65.50
16.0115	1/4 F	035	10	65.50
16.0116	1/4 F	040	10	65.50
TEMPERATURE		max. 210°F		



## TURBO NOZZLES 3600 psi

PART NUMBER	INLET	NOZZLE	QTY	LIST PRICE
16.0068	1/4 F	020	10	101.00
16.0069	1/4 F	025	10	101.00
16.0070	1/4 F	030	10	101.00
16.0071	1/4 F	035	10	101.00
16.0072	1/4 F	040	10	101.00
16.0073	1/4 F	045	10	101.00
16.0074	1/4 F	050	10	101.00
16.0075	1/4 F	055	10	101.00
16.0076	1/4 F	060	10	101.00
16.0077	1/4 F	065	10	101.00
TEMPERATURE		max. 210°F		



## TURBO NOZZLES 4500 psi

PART NUMBER	INLET	NOZZLE	QTY	LIST PRICE
16.0078	1/4 F	030	10	134.00
16.0079	1/4 F	035	10	134.00
16.0080	1/4 F	040	10	134.00
16.0081	1/4 F	045	10	134.00
16.0082	1/4 F	050	10	134.00
16.0083	1/4 F	055	10	134.00
16.0084	1/4 F	060	10	134.00
16.0085	1/4 F	065	10	134.00
16.0086	1/4 F	070	10	134.00
TEMPERATURE		max. 210°F		

# TURBO NOZZLES

## TURBO NOZZLES 5800 psi

PART NUMBER	INLET	NOZZLE	QTY	LIST PRICE
16.0090	1/4 F	030	5	234.00
16.0091	1/4 F	035	5	234.00
16.0092	1/4 F	040	5	234.00
16.0093	1/4 F	045	5	234.00
16.0094	1/4 F	050	5	234.00
16.0095	1/4 F	055	5	234.00
16.0096	1/4 F	060	5	234.00
16.0097	1/4 F	065	5	234.00
16.0098	1/4 F	070	5	234.00
16.0099	1/4 F	075	5	234.00
16.0100	1/4 F	080	5	234.00
16.0101	1/4 F	090	5	234.00
16.0087	1/4 F	10	5	234.00
16.0102	1/4 F	11	5	234.00
16.0088	1/4 F	12	5	234.00

TEMPERATURE max. 210°F

## REPAIR KIT TURBO NOZZLE 3600 psi

PART NUMBER	DESCRIPTION	LIST PRICE
41.0051	repair kit 020	70.00
41.0052	repair kit 025	70.00
41.0053	repair kit 030	70.00
41.0054	repair kit 035	70.00
41.0055	repair kit 040	70.00
41.0056	repair kit 045	70.00
41.0057	repair kit 050	70.00
41.0058	repair kit 055	70.00
41.0059	repair kit 060	70.00
41.0060	repair kit 065	70.00

## REPAIR KIT TURBO NOZZLE 4500 psi

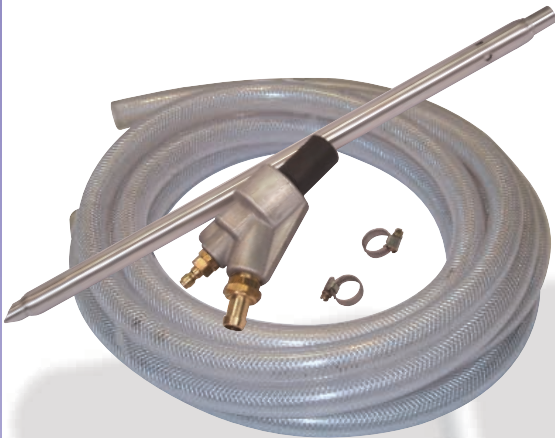
PART NUMBER	DESCRIPTION	LIST PRICE
41.0061	repair kit 030	90.00
41.0062	repair kit 035	90.00
41.0063	repair kit 040	90.00
41.0064	repair kit 045	90.00
41.0065	repair kit 050	90.00
41.0066	repair kit 055	90.00
41.0067	repair kit 060	90.00
41.0068	repair kit 065	90.00
41.0069	repair kit 070	90.00

## REPAIR KIT TURBO NOZZLE 5800 psi

PART NUMBER	DESCRIPTION	LIST PRICE
41.0072	repair kit 030	97.00
41.0073	repair kit 035	97.00
41.0074	repair kit 040	97.00
41.0075	repair kit 045	97.00
41.0076	repair kit 050	97.00
41.0077	repair kit 055	97.00
41.0078	repair kit 060	97.00
41.0079	repair kit 065	97.00
41.0080	repair kit 070	97.00
41.0081	repair kit 075	97.00
41.0082	repair kit 080	97.00
41.0083	repair kit 090	97.00
41.0070	repair kit 10	97.00
41.0085	repair kit 11	97.00
41.0071	repair kit 12	97.00
41.0084	repair kit 15	97.00



# SAND BLAST KITS



## INDUSTRIAL SAND BLAST KIT

PART NUMBER	INLET	NOZZLE	QTY	LIST PRICE
16.0117	1/4" plug	0° nozzle to be applied	10	175.00

HOSE LENGTH: 26 FEET

WORKING FLOW OF 4 USGPM AT 3000 PSI TO 8 USGPM AT 5000 PSI

USE ZERO DEGREE NOZZLES (NOT INCLUDED)

0 Deg	3.5	4.0	4.5	5.0	LIST PRICE
17.0220	17.0220	17.0224	17.0228	17.0232	5.50



## REPLACEMENT PARTS

PART NUMBER	DESCRIPTION	LIST PRICE
16.0118	sand blast head	48.00
16.0119	sand valve 1/8" NPT M	6.00
16.0121	tungsten carbide nozzle	58.00
16.0123	gasket	2.00
16.0124	sand probe	38.50
16.0127	clear PVC nylonbraid hose 3/4x3.5mmx25	26.00
16.0128	nozzle holder 1/4QC inlet x 1/4" NPT F outlet	6.00

## SAND BLAST KIT - 2200 psi

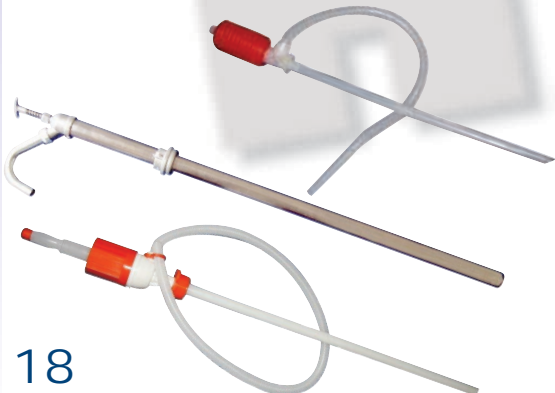
PART NUMBER	INLET	NOZZLE	QTY	LIST PRICE
16.0132	1/4 F	ø 1,3 mm	10	80.00

HOSE LENGTH: 10 FEET



## SPRAY GUN ASSEMBLIES & KITS

PART NUMBER	DESCRIPTION	LIST PRICE
41.0294	M407 attachment kit 4000psi, 250deg 50' 3/8 high temp hose	235.00
41.0295	M407 attachment kit 3000psi, 140deg, 25' M22FxM22F 18" QC extension	120.00
41.0296	M407 attachment kit 3000psi, 140deg, 25' M22FxM22F 18" Dualjet hi-low nozzle extension	135.00



## DRUM PUMPS

PART NUMBER	DESCRIPTION	LIST PRICE
22.0282	Chemical Drum Pump (White Tube 26", 2.0" Diameter)	23.00
22.0283	Chemical Drum Pump (White Tube 13", 2.0" Diameter)	12.00
22.0284	lift Action Drum Pump Chrome Plated Steel	48.00

# SPECIAL NOZZLES



## SEWER JETTING NOZZLES

PART NUMBER	INLET	NOZZLE TYPE	MATERIAL	QTY	LIST PRICE
17.0016	1/8 F	3+1 x 0,8 mm - 05	S.Steel	10	13.35
17.0017	1/8 F	3+1 x 1,0 mm - 055	S.Steel	10	13.35
17.0018	1/8 F	3+1 x 1,1 mm - 06	S.Steel	10	13.35
17.0013	1/4 F	3+1 x 0,8 mm - 065	S.Steel	10	16.00
17.0014	1/4 F	3+1 x 1,0 mm - 070	S.Steel	10	16.00
17.0015	1/4 F	3+1 x 1,2 mm - 095	S.Steel	10	16.00

## ROTATING SEWER NOZZLES

PART NUMBER	INLET	NOZZLE SIZE	QTY	LIST PRICE
17.0019	1/4" F	045	10	18.50
17.0020	1/8" F	045	10	18.50
17.0021	3/8" F	085	10	18.50

## BRASS SOAP NOZZLES

PART NUMBER	TYPE	SIZE	QTY	LIST PRICE
17.0024	1/4" NPT M	6540	10	2.50
17.0025	1/4" QC	6540	10	2.50

## BRASS STEAM NOZZLE

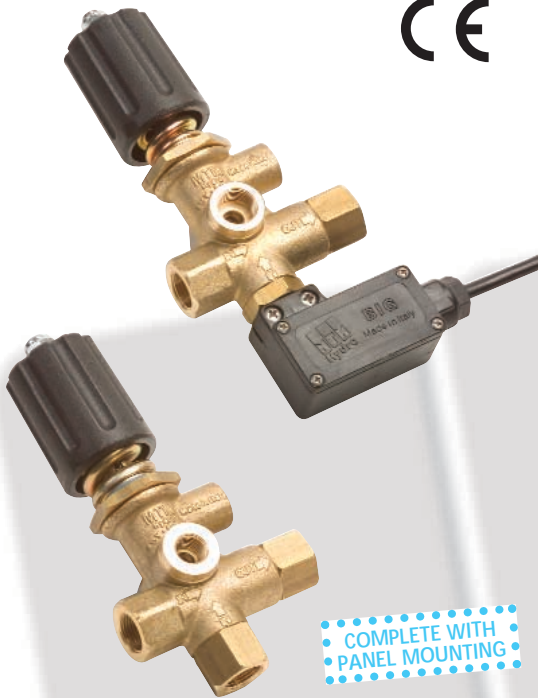
PART NUMBER	THREAD TYPE	NOZZLE TYPE	QTY	LIST PRICE
17.0023	1/4" F	flat	10	12.00

## NOZZLE PROTECTOR

PART NUMBER	THREAD TYPE	TYPE	QTY	LIST PRICE
41.0090	1/4" F - 1/4" F	A	50	5.00
41.0091	1/4" F - 1/4" F	B	50	3.00



# UNLOADERS WITH BY-PASS



COMPLETE WITH  
PANEL MOUNTING

## MG4000 UNLOADER

PART NUMBER	INLET-OUTLET	BY-PASS	MAX WORKING PRESS.	QTY	LIST PRICE
<b>WITH HANDLE</b>					
18.0149	3/8 F - 3/8 F	3/8 F	1500psi ●	25	108.00
18.0151	3/8 F - 3/8 F	3/8 F	2900psi ●	25	108.00
18.0155	3/8 F - 3/8 F	3/8 F	3650psi ●	25	108.00
18.0157	3/8 F - 3/8 F	3/8 F	4500psi ●	25	108.00
<b>WITH HANDLE and MICROSWITCH</b>					
18.0159	3/8 F - 3/8 F	3/8 F	1500psi ●	15	136.00
18.0161	3/8 F - 3/8 F	3/8 F	2900psi ●	15	136.00
18.0164	3/8 F - 3/8 F	3/8 F	3650psi ●	15	136.00
18.0167	3/8 F - 3/8 F	3/8 F	4500psi ●	15	136.00
<b>WITHOUT HANDLE</b>					
18.0150	3/8 F - 3/8 F	3/8 F	1500psi ●	25	101.00
18.0152	3/8 F - 3/8 F	3/8 F	2900psi ●	25	101.00
18.0156	3/8 F - 3/8 F	3/8 F	3650psi ●	25	101.00
18.0158	3/8 F - 3/8 F	3/8 F	4500psi ●	25	101.00
<b>WITHOUT HANDLE - WITH MICROSWITCH</b>					
18.0160	3/8 F - 3/8 F	3/8 F	1500psi ●	15	130.00
18.0162	3/8 F - 3/8 F	3/8 F	2900psi ●	15	130.00
18.0165	3/8 F - 3/8 F	3/8 F	3650psi ●	15	130.00
18.0168	3/8 F - 3/8 F	3/8 F	4500psi ●	15	130.00

TEMPERATURE max. 195°F  
 FLOW max. 10.5 USgpm  
 VOLTAGE max. 250 V  
 CURRENT INT. max. 15 A

## REPAIR KITS MG4000 UNLOADER

PART NUMBER	DESCRIPTION	LIST PRICE
41.0032	repair kit for MG4000 unloader	32.00



## MG4000 UNLOADER WITH FIXED CHEMICAL INJECTOR

PART NUMBER	INLET-OUTLET	BY-PASS	MAX WORKING PRESS.	QTY	LIST PRICE
<b>WITH HANDLE</b>					
18.0169	3/8 F - 3/8 M	3/8 F	1500psi ●	20	132.00
18.0177	3/8 F - 3/8 M	3/8 F	2900psi ●	20	132.00
18.0185	3/8 F - 3/8 M	3/8 F	3650psi ●	20	132.00
18.0193	3/8 F - 3/8 M	3/8 F	4500psi ●	20	132.00

SPECIFY INJECTOR ORIFICE SIZE WHEN ORDERING  
 ø1.6 mm (1 to 2 GPM) - ø1.8 mm (2 to 3.8 GPM) - ø2.1 mm (2.7 to 4.9 GPM) - ø2.3 mm (3.3 to 6.5 GPM)



## MG4000 UNLOADER WITH ADJUSTABLE CHEMICAL INJECTOR

PART NUMBER	INLET-OUTLET	BY-PASS	MAX WORKING PRESS.	QTY	LIST PRICE
<b>WITH HANDLE</b>					
18.0201	3/8 F - 3/8 M	3/8 F	1500psi ●	20	141.00
18.0209	3/8 F - 3/8 M	3/8 F	2900psi ●	20	141.00
18.0217	3/8 F - 3/8 M	3/8 F	3650psi ●	20	141.00
18.0225	3/8 F - 3/8 M	3/8 F	4500psi ●	20	141.00

TEMPERATURE max. 195°F  
 FLOW max. 10.5 USgpm  
 SPECIFY INJECTOR ORIFICE SIZE WHEN ORDERING  
 ø1.6 mm (1 to 2 GPM) - ø1.8 mm (2 to 3.8 GPM) - ø2.1 mm (2.7 to 4.9 GPM) - ø2.3 mm (3.3 to 6.5 GPM)



## UNLOADER BLOCKS

PART NUMBER	MATERIAL	INLET	OUTLET	QTY	LIST PRICE
22.0103	BRASS	3/8" F	3/8" F	20	40.00
22.0104	BRASS	1/2" F	1/2" F	20	40.00



# UNLOADERS WITH BY-PASS

## BP9 UNLOADER

PART NUMBER	INLET-OUTLET	BY-PASS	MAX WORKING PRESS.	QTY	LIST PRICE
-------------	--------------	---------	--------------------	-----	------------

### WITH HANDLE

18.0001	3/8 F - 3/8 F	3/8 F	1500psi ●	25	115.00
18.0003	3/8 F - 3/8 F	3/8 F	2900psi ●	25	115.00
18.0005	3/8 F - 3/8 F	3/8 F	3650psi ●	25	115.00
18.0007	3/8 F - 3/8 F	3/8 F	4500psi ●	25	115.00

### WITHOUT HANDLE

18.0002	3/8 F - 3/8 F	3/8 F	1500psi ●	25	108.00
18.0004	3/8 F - 3/8 F	3/8 F	2900psi ●	25	108.00
18.0006	3/8 F - 3/8 F	3/8 F	3650psi ●	25	108.00
18.0008	3/8 F - 3/8 F	3/8 F	4500psi ●	25	108.00

TEMPERATURE max. 195°F  
FLOW max. 8 USgpm



RESTARTING AT LOW PRESSURE AND PANEL MOUNTING

## BP9 UNLOADER WITH FIXED CHEMICAL INJECTOR

PART NUMBER	INLET-OUTLET	BY-PASS	MAX WORKING PRESS.	QTY	LIST PRICE
-------------	--------------	---------	--------------------	-----	------------

### WITH HANDLE

18.0009	3/8 F - 3/8 M	3/8 F	1500psi ●	20	138.00
18.0013	3/8 F - 3/8 M	3/8 F	2900psi ●	20	138.00
18.0017	3/8 F - 3/8 M	3/8 F	3650psi ●	20	138.00
18.0021	3/8 F - 3/8 M	3/8 F	4500psi ●	20	138.00

TEMPERATURE max. 195°F  
FLOW max. 8 USgpm

SPECIFY INJECTOR ORIFICE SIZE WHEN ORDERING

ø1.6 mm (1 to 2 GPM) - ø1.8 mm (2 to 3.8 GPM) - ø2.1 mm (2.7 to 4.9 GPM) - ø2.3 mm (3.3 to 6.5 GPM)



## BP9 UNLOADER WITH ADJUSTABLE CHEMICAL INJECTOR

PART NUMBER	INLET-OUTLET	BY-PASS	MAX WORKING PRESS.	QTY	LIST PRICE
-------------	--------------	---------	--------------------	-----	------------

### WITH HANDLE

18.0025	3/8 F - 3/8 M	3/8 F	1500psi ●	20	149.00
18.0029	3/8 F - 3/8 M	3/8 F	2900psi ●	20	149.00
18.0033	3/8 F - 3/8 M	3/8 F	3650psi ●	20	149.00
18.0037	3/8 F - 3/8 M	3/8 F	4500psi ●	20	149.00

TEMPERATURE max. 195°F  
FLOW max. 8 USgpm

SPECIFY INJECTOR ORIFICE SIZE WHEN ORDERING

ø1.6 mm (1 to 2 GPM) - ø1.8 mm (2 to 3.8 GPM) - ø2.1 mm (2.7 to 4.9 GPM) - ø2.3 mm (3.3 to 6.5 GPM)



## REPAIR KITS BP9 UNLOADER

PART NUMBER	DESCRIPTION	LIST PRICE
-------------	-------------	------------

41.0025	repair kit for BP9 unloader	33.75
---------	-----------------------------	-------

# MULTIVALVE UNLOADERS



RESTARTING AT LOW PRESSURE  
INCLUDING:  
-BYPASS  
-EASY STARTER

## BP91 UNLOADER

PART NUMBER	INLET-OUTLET	BY-PASS	MAX WORKING PRESS.	QTY	LIST PRICE
<b>WITH HANDLE</b>					
18.0113	3/8 F - 3/8 F	3/8 F	1500psi ●	25	113.00
18.0114	3/8 F - 3/8 F	3/8 F	2900psi ●	25	113.00
18.0115	3/8 F - 3/8 F	3/8 F	3650psi ●	25	113.00
18.0116	3/8 F - 3/8 F	3/8 F	4500psi ●	25	113.00
TEMPERATURE		max. 195°F			
FLOW		max. 8 USgpm			



RESTARTING AT LOW PRESSURE  
INCLUDING:  
-BYPASS  
-EASY STARTER

## BP91 UNLOADER WITH FIXED CHEMICAL INJECTOR

PART NUMBER	INLET-OUTLET	BY-PASS	MAX WORKING PRESS.	QTY	LIST PRICE
<b>WITH HANDLE</b>					
18.0117	3/8 F - 3/8 F	3/8 F	1500psi ●	25	137.00
18.0121	3/8 F - 3/8 F	3/8 F	2900psi ●	25	137.00
18.0125	3/8 F - 3/8 F	3/8 F	3650psi ●	25	137.00
18.0129	3/8 F - 3/8 F	3/8 F	4500psi ●	25	137.00
TEMPERATURE		max. 195°F			
FLOW		max. 8 USgpm			
SPECIFY INJECTOR ORIFICE SIZE WHEN ORDERING					
ø1.6 mm (1 to 2 GPM) - ø1.8 mm (2 to 3.8 GPM) - ø2.1 mm (2.7 to 4.9 GPM) - ø2.3 mm (3.3 to 6.5 GPM)					



RESTARTING AT LOW PRESSURE  
INCLUDING:  
-BYPASS  
-EASY STARTER

## BP91 UNLOADER WITH ADJUSTABLE CHEMICAL INJECTOR

PART NUMBER	INLET-OUTLET	BY-PASS	MAX WORKING PRESS.	QTY	LIST PRICE
<b>WITH HANDLE</b>					
18.0133	3/8 F - 3/8 F	3/8 F	1500psi ●	25	147.00
18.0137	3/8 F - 3/8 F	3/8 F	2900psi ●	25	147.00
18.0141	3/8 F - 3/8 F	3/8 F	3650psi ●	25	147.00
18.0145	3/8 F - 3/8 F	3/8 F	4500psi ●	25	147.00
TEMPERATURE		max. 195°F			
FLOW		max. 8 USgpm			
SPECIFY INJECTOR ORIFICE SIZE WHEN ORDERING					
ø1.6 mm (1 to 2 GPM) - ø1.8 mm (2 to 3.8 GPM) - ø2.1 mm (2.7 to 4.9 GPM) - ø2.3 mm (3.3 to 6.5 GPM)					

## REPAIR KITS BP91 UNLOADER

PART NUMBER	DESCRIPTION	LIST PRICE
41.0031	repair kit for BP91 unloader	31.50

# MULTIVALVE UNLOADERS

## BP93 UNLOADER

PART NUMBER	INLET-OUTLET	BY-PASS	MAX WORKING PRESS.	QTY	LIST PRICE
<b>WITH HANDLE</b>					
18.0045	3/8 F - 3/8 F	1/4 F	1500psi ●	25	120.00
18.0046	3/8 F - 3/8 F	1/4 F	2900psi ●	25	120.00
18.0047	3/8 F - 3/8 F	1/4 F	3650psi ●	25	120.00
18.0048	3/8 F - 3/8 F	1/4 F	4500psi ●	25	120.00

TEMPERATURE max. 195°F  
FLOW max. 8 USgpm

RESTARTING AT LOW PRESSURE

INCLUDING:  
-BYPASS  
-THERMO PROTECTOR  
-EASY STARTER



## BP93 UNLOADER WITH FIXED CHEMICAL INJECTOR

PART NUMBER	INLET-OUTLET	BY-PASS	MAX WORKING PRESS.	QTY	LIST PRICE
<b>WITH HANDLE</b>					
18.0049	3/8 F - 3/8 F	1/4 F	1500psi ●	25	144.00
18.0053	3/8 F - 3/8 F	1/4 F	2900psi ●	25	144.00
18.0057	3/8 F - 3/8 F	1/4 F	3650psi ●	25	144.00
18.0061	3/8 F - 3/8 F	1/4 F	4500psi ●	25	144.00

TEMPERATURE max. 195°F  
FLOW max. 8 USgpm

SPECIFY INJECTOR ORIFICE SIZE WHEN ORDERING

ø1.6 mm (1 to 2 GPM) - ø1.8 mm (2 to 3.8 GPM) - ø2.1 mm (2.7 to 4.9 GPM) - ø2.3 mm (3.3 to 6.5 GPM)

RESTARTING AT LOW PRESSURE

INCLUDING:  
-BYPASS  
-THERMO PROTECTOR  
-EASY STARTER



## BP93 UNLOADER WITH ADJUSTABLE CHEMICAL INJECTOR

PART NUMBER	INLET-OUTLET	BY-PASS	MAX WORKING PRESS.	QTY	LIST PRICE
<b>WITH HANDLE</b>					
18.0065	3/8 F - 3/8 F	1/4 F	1500psi ●	25	154.00
18.0069	3/8 F - 3/8 F	1/4 F	2900psi ●	25	154.00
18.0073	3/8 F - 3/8 F	1/4 F	3650psi ●	25	154.00
18.0077	3/8 F - 3/8 F	1/4 F	4500psi ●	25	154.00

TEMPERATURE max. 195°F  
FLOW max. 8 USgpm

SPECIFY INJECTOR ORIFICE SIZE WHEN ORDERING

ø1.6 mm (1 to 2 GPM) - ø1.8 mm (2 to 3.8 GPM) - ø2.1 mm (2.7 to 4.9 GPM) - ø2.3 mm (3.3 to 6.5 GPM)

RESTARTING AT LOW PRESSURE

INCLUDING:  
-BYPASS  
-THERMO PROTECTOR  
-EASY STARTER



## REPAIR KITS BP93 UNLOADER

PART NUMBER	DESCRIPTION	LIST PRICE
41.0026	repair kit for BP93 unloader	45.50

# MULTIVALVE UNLOADERS



## BP90 UNLOADER

PART NUMBER	INLET-OUTLET	BY-PASS	MAX WORKING PRESS.	QTY	LIST PRICE
<b>WITH HANDLE</b>					
18.0041	3/8 F - 3/8 F	1/4 F	1500psi ●	25	126.00
18.0042	3/8 F - 3/8 F	1/4 F	2900psi ●	25	126.00
18.0043	3/8 F - 3/8 F	1/4 F	3650psi ●	25	126.00
18.0044	3/8 F - 3/8 F	1/4 F	4500psi ●	25	126.00
TEMPERATURE	max. 195°F				
FLOW	max. 8 USgpm				

### RESTARTING AT LOW PRESSURE

- INCLUDING:
- BYPASS
- THERMO PROTECTOR
- EASY STARTER
- SAFETY VALVE



## BP90 UNLOADER WITH FIXED CHEMICAL INJECTOR

PART NUMBER	INLET-OUTLET	BY-PASS	MAX WORKING PRESS.	QTY	LIST PRICE
<b>WITH HANDLE</b>					
18.0081	3/8 F - 3/8 F	1/4 F	1500psi ●	25	150.00
18.0085	3/8 F - 3/8 F	1/4 F	2900psi ●	25	150.00
18.0089	3/8 F - 3/8 F	1/4 F	3650psi ●	25	150.00
18.0093	3/8 F - 3/8 F	1/4 F	4500psi ●	25	150.00
TEMPERATURE	max. 195°F				
FLOW	max. 8 USgpm				
SPECIFY INJECTOR ORIFICE SIZE WHEN ORDERING					
ø1.6 mm (1 to 2 GPM) - ø1.8 mm (2 to 3.8 GPM) - ø2.1 mm (2.7 to 4.9 GPM) - ø2.3 mm (3.3 to 6.5 GPM)					

### RESTARTING AT LOW PRESSURE

- INCLUDING:
- BYPASS
- THERMO PROTECTOR
- EASY STARTER
- SAFETY VALVE



## BP90 UNLOADER WITH ADJUSTABLE CHEMICAL INJECTOR

PART NUMBER	INLET-OUTLET	BY-PASS	MAX WORKING PRESS.	QTY	LIST PRICE
<b>WITH HANDLE</b>					
18.0097	3/8 F - 3/8 F	1/4 F	1500psi ●	25	160.00
18.0101	3/8 F - 3/8 F	1/4 F	2900psi ●	25	160.00
18.0105	3/8 F - 3/8 F	1/4 F	3650psi ●	25	160.00
18.0109	3/8 F - 3/8 F	1/4 F	4500psi ●	25	160.00
TEMPERATURE	max. 195°F				
FLOW	max. 8 USgpm				
SPECIFY INJECTOR ORIFICE SIZE WHEN ORDERING					
ø1.6 mm (1 to 2 GPM) - ø1.8 mm (2 to 3.8 GPM) - ø2.1 mm (2.7 to 4.9 GPM) - ø2.3 mm (3.3 to 6.5 GPM)					

### RESTARTING AT LOW PRESSURE

- INCLUDING:
- BYPASS
- THERMO PROTECTOR
- EASY STARTER
- SAFETY VALVE

## REPAIR KITS BP90 UNLOADER

PART NUMBER	DESCRIPTION	LIST PRICE
41.0026	repair kit for BP90 unloader	45.50
41.0027	repair kit 1500psi pressure relief valve for BP90 unloader	26.75
41.0028	repair kit 2900psi pressure relief valve for BP90 unloader	26.75
41.0029	repair kit 3650psi pressure relief valve for BP90 unloader	26.75
41.0030	repair kit 4500psi pressure relief valve for BP90 unloader	26.75

# VALVES

## PRESSURE RELIEF VALVE MG3000

PART NUMBER	INLET-OUTLET	BY-PASS	WORKING PRESSURE	QTY	LIST PRICE
19.0007*	3/8 F	1/4 F	1500psi ●	25	84.25
19.0008*	3/8 F	1/4 F	2900psi ●	25	84.25
19.0009*	3/8 F	1/4 F	3650psi ●	25	84.25
19.0010*	3/8 F	1/4 F	4500psi ●	25	84.25

TEMPERATURE max. 195°F  
FLOW max. 10.5 USgpm

## PRESSURE RELIEF VALVE MG1000

PART NUMBER	INLET	OUTLET	QTY	LIST PRICE
19.0001	1/4 M	1/4 M	25	34.50
19.0002	1/4 M	HOSE BARB ø 6 mm	25	35.75
19.0003	3/8 M	1/4 M	25	34.50
19.0004	3/8 M	HOSE BARB ø 6 mm	25	35.75

PRESSURE max. 3600 psi  
FLOW max. 8 USgpm  
TEMPERATURE max. 195°F

## PRESSURE RELIEF VALVE MG2100

PART NUMBER	INLET	FLOW	QTY	LIST PRICE
19.0006	1/4 M	1,6 USgpm-5,6 USgpm	25	21.25

PRESSURE max. 3200 psi  
TEMPERATURE max. 195°F

## PRESSURE RELIEF VALVE MG2000

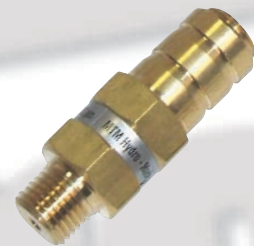
PART NUMBER	INLET	OUTLET	FLOW	QTY	LIST PRICE
19.0005	1/4 M	1/4 F	6 USgpm	25	19.00

PRESSURE max. 2200 psi  
TEMPERATURE max. 195°F

## THERMAL RELIEF VALVE TRV

PART NUMBER	INLET	OUTLET	OPENING TEMPER.	QTY	LIST PRICE
20.0019	1/4 M	hose barb ø7	135°F	20	25.75
20.0020	3/8 M	hose barb ø7	135°F	20	21.50
20.0021	1/2 M	hose barb ø7	135°F	20	22.50

PRESSURE max. 145 psi



ALL PRESSURE RELIEF VALVES ARE SUPPLIED WITHOUT ANY PRESET PESSIONE SETTING. THEY BECOME A SAFETY DEVICE WHEN THEY ARE ADJUSTED DURING INSTALLATION.



### CHECK VALVE CK500

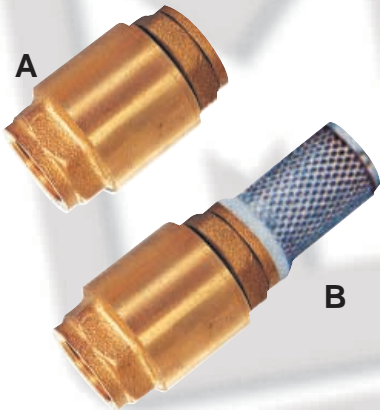
PART NUMBER	INLET-OUTLET	PRESSURE	QTY	LIST PRICE
20.0066	1/4 F - 1/4 F	4500psi	20	23.00
20.0067	3/8 F - 3/8 F	3650psi	20	25.00
20.0068	1/2 F - 1/2 F	3650psi	20	27.00
TEMPERATURE	195° F			
MATERIAL	BRASS			

AVAILABLE JUNE 2008



### CKX600 STAINLESS STEEL CHECK VALVE

PART NUMBER	INLET-OUTLET	PRESSURE	QTY	LIST PRICE
20.0012	1/4" F - 1/4" F	6000psi	20	40.00
20.0014	3/8" F - 3/8" F	6000psi	20	45.00
20.0013	1/4" M - 1/4" M	6000psi	20	40.00
20.0015	3/8" M - 3/8" M	6000psi	20	45.00
TEMPERATURE	195° F			



### CHECK VALVE CK100

PART NUMBER	INLET-OUTLET	TYPE	MAX PRESS.	QTY	LIST PRICE
20.0001*	3/8 F - 3/8 F	A	240psi	10	15.00
20.0002*	1/2 F - 1/2 F	A	240psi	10	14.00
20.0003*	3/4 F - 3/4 F	A	240psi	10	16.25
20.0004*	1 F - 1 F	A	240psi	10	22.25
WITH SCREEN					
20.0005*	3/8 F - 3/8 F	B	240psi	10	24.75
20.0006*	1/2 F - 1/2 F	B	240psi	10	23.75
20.0007*	3/4 F - 3/4 F	B	240psi	10	26.00
20.0008*	1 F - 1 F	B	240psi	10	32.00
TEMPERATURE	180° F				
MATERIAL	BRASS				



### EASY START VALVE

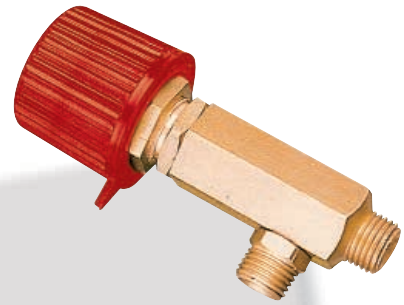
PART NUMBER	INLET	VALVE CLOSE WITH	QTY	LIST PRICE
20.0018	3/8 M	1,6 USgpm	10	25.75
PRESSURE	max. 4100 psi			
FLOW	max. 8 USgpm			
TEMPERATURE	max. 195° F			

RELIEVES PUMP PRESSURE DURING ENGINE START UP

# REGULATOR VALVES

## STEAM REGULATOR VALVE

PART NUMBER	TYPE	INLET	OUTLET	QTY	LIST PRICE
22.0059*	ø 0.8	1/4 M	1/4 M	25	32.00
22.0060*	ø 1.2	1/4 M	1/4 M	25	32.00
22.0061*	ø 1.5	1/4 M	1/4 M	25	32.00
22.0062*	ø 1.8	1/4 M	1/4 M	25	32.00
22.0063*	ø 2.0	1/4 M	1/4 M	25	32.00
PRESSURE	max. 4000 psi				
TEMPERATURE	max. 300°F				



STAINLESS  
STEEL NEEDLE

## CHEMICAL "T" METERING VALVE

PART NUMBER	INLET	OUTLET	QTY	LIST PRICE
22.0119	1/4 M	1/4 M	25	30.25
22.0120	1/4 F	1/4 F	25	30.25
PRESSURE	max. 440 psi			
FLOW	max. 3 USgpm			
TEMPERATURE	max. 100°F			



## CHEMICAL "L" METERING VALVE

PART NUMBER	INLET	OUTLET	QTY	LIST PRICE
22.0064*	1/4 M	1/4 M	25	32.00
PRESSURE	max. 440 psi			
FLOW	max. 3 USgpm			
TEMPERATURE	max. 100°F			



STAINLESS  
STEEL NEEDLE

## CHEMICAL "T" METERING VALVE

PART NUMBER	INLET	OUTLET	QTY	LIST PRICE
20.0034	1/4 F	1/4 F	25	25.00
PRESSURE	max. 440 psi			
FLOW	max. 3 USgpm			
TEMPERATURE	max. 100°F			

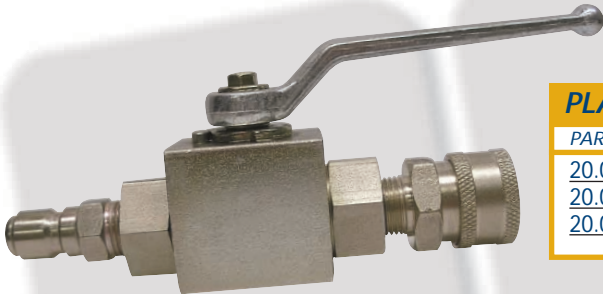




CHROMED SHUT-OFF BALL  
ON TEFLON SEALS

### PLATED STEEL BALL VALVES

PART NUMBER	CONNECTIONS	HOLE	MAX PRESS.	QTY	LIST PRICE
20.0035	1/4 F - 1/4 F	ø 6 mm	7000 psi	5	50.00
20.0036	3/8 F - 3/8 F	ø 10 mm	7000 psi	5	55.00
20.0037	1/2 F - 1/2 F	ø 12 mm	7000 psi	5	57.00
TEMPERATURE		max. 176°F			



### PLATED STEEL BALL VALVES with QC COUPLER & PLUG

PART NUMBER	DESCRIPTION	MAX PRESS.	QTY	LIST PRICE
20.0042	Assembly Ball Valve 1/4"	5500 psi	5	55.00
20.0043	Assembly Ball Valve 3/8"	4200 psi	5	60.00
20.0044	Assembly Ball Valve 1/2"	3600 psi	5	62.00



S.STEEL SHUT-OFF BALL  
ON TEFLON SEALS

### 316 STAINLESS STEEL BALL VALVE

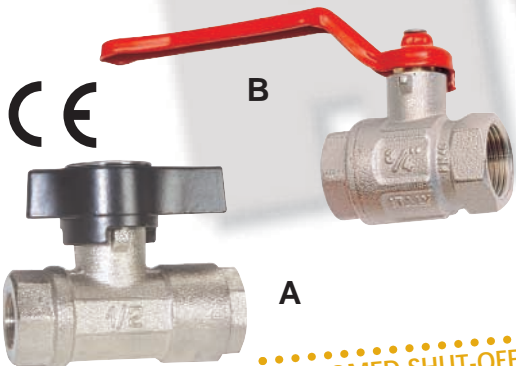
PART NUMBER	CONNECTIONS	HOLE	MAX PRESS.	QTY	LIST PRICE
20.0025	3/8 F - 3/8 F	ø 10 mm	6000 psi	5	300.00
TEMPERATURE		max. 482°F			



S.STEEL SHUT-OFF BALL  
ON TEFLON SEALS

### 304 STAINLESS STEEL BALL VALVES

PART NUMBER	CONNECTIONS	HOLE	MAX PRESS.	QTY	LIST PRICE
20.0038	1/4" F - 1/4" F	ø 10 mm	6000psi	5	65.00
20.0039	3/8" F - 3/8" F	ø 14 mm	6000psi	5	110.00
20.0040	1/2" F - 1/2" F	ø 14 mm	6000psi	5	125.00
TEMPERATURE		max. 300°F			



CHROMED SHUT-OFF BALL  
ON ACETYL RESIN SEAL

### BRASS BALL VALVE

PART NUMBER	CONNECTIONS	HOLE	MAX PRESS.	TYPE	QTY	LIST PRICE
20.0032	3/8 F - 3/8 F	ø 8 mm	3000 psi	A	5	66.75
20.0033	1/2 F - 1/2 F	ø 12 mm	3000 psi	A	5	91.75
TEMPERATURE		max. 176°F				
20.0027	1/4 F - 1/4 F	ø 10 mm	600 psi	B	5	11.50
20.0028	3/8 F - 3/8 F	ø 10 mm	600 psi	B	5	13.75
20.0029	1/2 F - 1/2 F	ø 15 mm	600 psi	B	5	13.75
20.0030	3/4 F - 3/4 F	ø 20 mm	600 psi	B	5	18.25
20.0031	1 F - 1 F	ø 25 mm	600 psi	B	5	29.25
TEMPERATURE		max. 428°F				



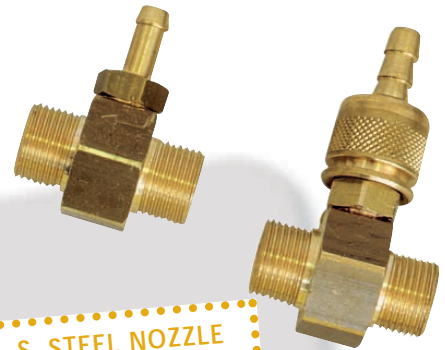
# CHEMICAL INJECTORS



## CHEMICAL INJECTORS 3/8" M - 3/8" M

PART NUMBER	TYPE	NOZZLE	QTY	LIST PRICE
22.0019	Fixed	ø 1.6 mm	20	22.25
22.0020	Fixed	ø 1.8 mm	20	22.25
22.0021	Fixed	ø 2.1 mm	20	22.25
22.0022	Fixed	ø 2.3 mm	20	22.25
22.0040	Adjustable	ø 1.6 mm	20	31.25
22.0041	Adjustable	ø 1.8 mm	20	31.25
22.0039	Adjustable	ø 2.1 mm	20	31.25
22.0042	Adjustable	ø 2.3 mm	20	31.25

PRESSURE max. 3600 psi TEMPERATURE max. 300°F  
 ø1.6 mm (1 to 2 GPM) - ø1.8 mm (2 to 3.8 GPM) - ø2.1 mm (2.7 to 4.9 GPM) - ø2.3 mm (3.3 to 6.5 GPM)



S. STEEL NOZZLE  
+ VITON O-RINGS

## CHEMICAL INJECTORS

PART NUMBER	TYPE	NOZZLE	CONNECTIONS	QTY	LIST PRICE
22.0027	Fixed	ø1.6 mm	3/8 M-F	20	25.75
22.0028	Fixed	ø1.8 mm	3/8 M-F	20	25.75
22.0029	Fixed	ø2.1 mm	3/8 M-F	20	25.75
22.0030	Fixed	ø2.3 mm	3/8 M-F	20	25.75
22.0047	Adjustable	ø1.6 mm	3/8 M-F	20	35.00
22.0048	Adjustable	ø1.8 mm	3/8 M-F	20	35.00
22.0049	Adjustable	ø2.1 mm	3/8 M-F	20	35.00
22.0050	Adjustable	ø2.3 mm	3/8 M-F	20	35.00

PRESSURE max. 3600 psi TEMPERATURE max. 300°F  
 ø1.6 mm (1 to 2 GPM) - ø1.8 mm (2 to 3.8 GPM) - ø2.1 mm (2.7 to 4.9 GPM) - ø2.3 mm (3.3 to 6.5 GPM)



S. STEEL NOZZLE  
+ VITON O-RINGS

## CHEMICAL INJECTORS 3/8" M - M22x1.5F

PART NUMBER	TYPE	NOZZLE	QTY	LIST PRICE
22.0023*	Fixed	ø 1.6 mm	20	28.75
22.0024*	Fixed	ø 1.8 mm	20	28.75
22.0025*	Fixed	ø 2.1 mm	20	28.75
22.0026*	Fixed	ø 2.3 mm	20	28.75
22.0043*	Adjustable	ø 1.6 mm	20	37.75
22.0044*	Adjustable	ø 1.8 mm	20	37.75
22.0045*	Adjustable	ø 2.1 mm	20	37.75
22.0046*	Adjustable	ø 2.3 mm	20	37.75

PRESSURE max. 3600 psi TEMPERATURE max. 300°F  
 ø1.6 mm (1 to 2 GPM) - ø1.8 mm (2 to 3.8 GPM) - ø2.1 mm (2.7 to 4.9 GPM) - ø2.3 mm (3.3 to 6.5 GPM)

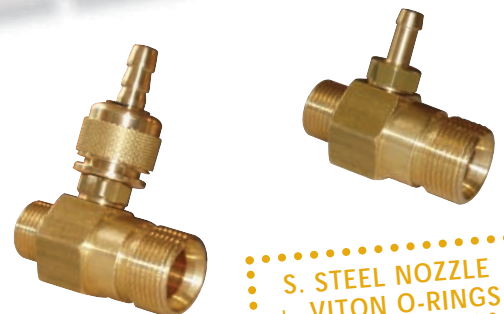


S. STEEL NOZZLE  
+ VITON O-RINGS

## CHEMICAL INJECTORS 3/8" M - M22x1.5M

PART NUMBER	TYPE	NOZZLE	QTY	LIST PRICE
22.0035*	Fixed	ø 1.6 mm	20	27.00
22.0036*	Fixed	ø 1.8 mm	20	27.00
22.0037*	Fixed	ø 2.1 mm	20	27.00
22.0038*	Fixed	ø 2.3 mm	20	27.00
22.0055*	Adjustable	ø 1.6 mm	20	35.50
22.0056*	Adjustable	ø 1.8 mm	20	35.50
22.0057*	Adjustable	ø 2.1 mm	20	35.50
22.0058*	Adjustable	ø 2.3 mm	20	35.50

PRESSURE max. 3600 psi TEMPERATURE max. 300°F  
 ø1.6 mm (1 to 2 GPM) - ø1.8 mm (2 to 3.8 GPM) - ø2.1 mm (2.7 to 4.9 GPM) - ø2.3 mm (3.3 to 6.5 GPM)



S. STEEL NOZZLE  
+ VITON O-RINGS

\* Indicates Non-Stock Item. Available by Special Order Only.



### PLASTIC FLOAT VALVES

PART NUMBER	INLET	TYPE	QTY	LIST PRICE
22.0001	3/4 M	no filter no pipe	50	20.25
22.0010	3/4 M	with filter no pipe	50	21.50
22.0011	3/4 M	no filter with pipe	50	21.25
22.0012	3/4 M	with filter and pipe	50	22.50
PRESSURE		max. 145 psi		
TEMPERATURE		max. 140°F		
OVERALL SIZE		7.8 inch		



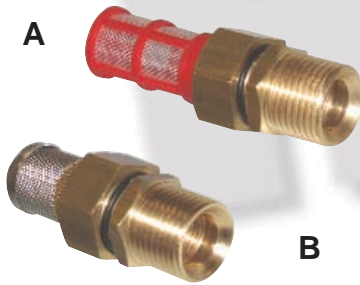
### BRASS FLOAT VALVES

PART NUMBER	INLET	TYPE	QTY	LIST PRICE
22.0015	3/4 M	no filter no pipe	25	29.25
22.0013	3/4 M	with filter no pipe	25	30.50
22.0016	3/4 M	no filter with pipe	25	30.25
22.0014	3/4 M	with filter and pipe	25	31.50
22.0017	1/2 M	no filter no pipe	25	35.50
22.0018	1/2 M	no filter with pipe	25	36.75
PRESSURE		max. 105 psi		
TEMPERATURE		max. 140°F		
OVERALL SIZE		9.4 inch		



### PLASTIC FLOAT TANK WITH COVER

PART NUMBER	TYPE	QTY	LIST PRICE
22.0065	no bulkhead	20	14.75
22.0066	with bulkhead	20	16.00
TEMPERATURE		max 140° F	
CAPACITY		0.8 USG	
OVERALL SIZE		5" x 10" x 8"	
MATERIAL		P. PL. COPOLYMER	



### FILTERS FOR FLOAT TANK

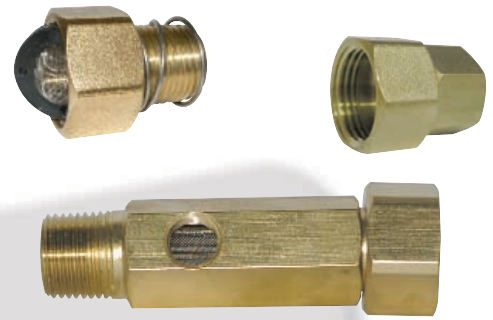
PART NUMBER	THREAD	STRAINER	TYPE	QTY	LIST PRICE
23.0015	3/8 M	450 micron - plastic	A	20	15.00
23.0016*	1/2 M	450 micron - plastic	A	20	21.50
23.0007	3/8 M	400 micron - s.steel	B	20	16.25
23.0006*	1/2 M	400 micron - s.steel	B	20	22.75

# GARDEN HOSE ADAPTERS AND CHEMICAL FILTERS



## GARDEN HOSE ADAPTERS

PART NUMBER	CONNECTIONS	QTY	LIST PRICE
24.0054	3/4" F GH - 3/8" M	20	5.00
24.0055	3/4" F GH - 1/2" F	20	6.00
24.0056	3/4" F GH - 1/2" M	20	6.00
24.0057	3/4" F GH - 1/2" MPT + 1/4" by-pass port	20	16.00



## GARDEN HOSE WASHERS

PART NUMBER	TYPE	QTY	LIST PRICE
24.0094	with filter	50	0.60
24.0095	without filter	50	0.25



## PLASTIC CHEMICAL FILTERS

PART NUMBER	CONNECTION	CHECK VALVE	QTY	LIST PRICE
23.0001	hose barb ø 6-8	NO	100	4.25
23.0002	hose barb ø 6-8	YES	100	4.55
23.0003	hose barb ø 6-8	YES (w/spring)	100	4.95



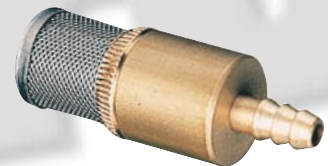
## BRASS CHROME PLATED FILTER

PART NUMBER	CONNECTION	CHECK VALVE	STRAINER	QTY	LIST PRICE
23.0061	hose barb ø 8	yes	400 micron	50	2.50



## STAINLESS STEEL + BRASS FILTERS

PART NUMBER	DESCRIPTION	CHECK VALVE	STRAINER	QTY	LIST PRICE
23.0068	hose barb ø6 mm	yes	400 micron	20	6.00



## CHEMICAL FILTER HOSE ASSEMBLY

PART NUMBER	DESCRIPTION	QTY	LIST PRICE
23.0065	4' grey filter w/spring check valve	20	3.00





## CLEAR IN-LINE FILTERS

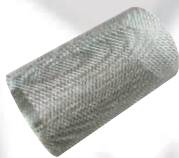
PART NUMBER	IN - OUT	MATERIAL	STRAINER	TYPE	QTY	LIST PRICE
23.0035*	3/4" F - F	Polycarbonate	H=10"	A	5	65.75
23.0036*	1" F - F	Polycarbonate	H=10"	A	5	65.75
23.0037*	3/4" F - F	Polycarbonate	H=20"	A	5	196.00
23.0038*	1" F - F	Polycarbonate	H=20"	A	5	196.00
23.0039*	Filtro Plastica - Plastic		H=9" 3/4 60μ	B	5	27.75
23.0040*	Filtro Inox - S.S. Filter		H=9" 3/4 80μ	C	5	98.25
23.0041*	Filtro Carbon Block Filter		H=9" 3/4 5μ	D	5	33.50
23.0042*	Filtro Plastica - Plastic		H=20" 60μ	B	5	55.50
23.0043*	Filtro Inox - S.S. Filter		H=20" 60μ	C	5	205.00
23.0044*	Filtro Carbon Block Filter		H=20 5μ	D	5	66.75



## "Y" INLET FILTERS

PART NUMBER	IN - OUT	MATERIAL	STRAINER	TYPE	QTY	LIST PRICE
23.0045	1/2 F - F	Brass	400 micron	A	5	11.75
23.0046	3/4 F - F	Brass	400 micron	A	5	17.00
23.0047	1 F - F	Brass	400 micron	A	5	25.50

PRESSURE max. 290 psi



## "Y" BRASS FILTERS REPLACEMENT SCREENS

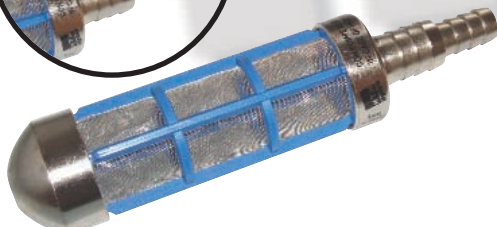
PART NUMBER	DESCRIPTION	LIST PRICE
41.0047	Y filter 1/2" replacement screen	1.50
41.0048	Y filter 3/4" replacement screen	2.05
41.0049	Y filter 1" replacement screen	2.35



## "Y" INLET FILTERS

PART NUMBER	IN - OUT	MATERIAL	STRAINER	QTY	LIST PRICE
23.0048*	3/8 F - F	S.Steel 316	500 micron	5	112.00
23.0049*	1/2 F - F	S.Steel 316	500 micron	5	115.00
23.0050*	3/4 F - F	S.Steel 316	500 micron	5	120.00
23.0051*	1 F - F	S.Steel 316	500 micron	5	144.00

PRESSURE max. 800 psi



## SUCTION FILTERS

PART NUMBER	DESCRIPTION	HOSE BARB	QTY	LIST PRICE
23.0017	without Check Valve	1/2" + 3/4"	5	46.25
23.0018	with Check Valve	1/2" + 3/4"	5	50.00

STRAINER 400 micron

## WATER IN-LINE ALUMINUM FILTER

PART NUMBER	INLET	OUTLET	QTY	LIST PRICE
23.0019	1/2 F	1/2 M	20	30.25
<b>STRAINER</b>		<b>250 micron</b>		



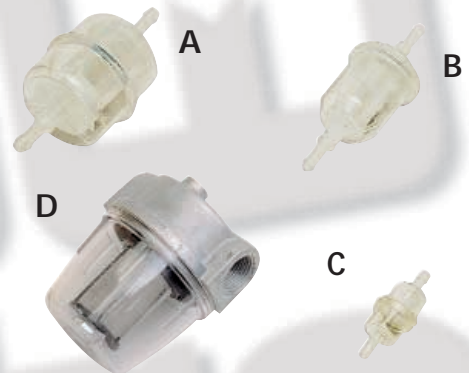
## WATER INLINE PLASTIC FILTER

PART NUMBER	IN - OUT	STRAINER	QTY	LIST PRICE
23.0031	1/2 F - F	300 micron	10	22.75
23.0032	3/4 F - F	300 micron	10	22.75
41.0043	replacement filter screen			11.25



## FUEL IN-LINE FILTER

PART NUMBER	CONNECTIONS	BODY	TYPE	STRAINER	QTY	LIST PRICE
23.0023	hose barb ø6-8x2	Plastic	A	120 micron	20	5.55
23.0024	hose barb ø6-8x2	Plastic	B	200 micron	20	4.25
23.0025	hose barb ø5x2	Plastic **	C	300 micron	20	3.60
<b>** to filter water-fuel</b>						
23.0026	1/4 F - F	Aluminum	D	S.Steel 100 micron	10	23.50
23.0027	3/8 F - F	Aluminum	D	S.Steel 100 micron	10	23.50



## FUEL IN-LINE FILTER

PART NUMBER	CONNECTIONS	DIMENSIONE	QTY	LIST PRICE
23.0028	1/4" F-F	2.5" X3.0"	20	23.50
23.0029	1/4" F-F	3.0" X3.5"	20	45.50
23.0030	1/4" F-F	3.0" X3.5" w/drain valve	20	56.50
41.0041	Fuel Filter Replacement Cartridge Small 15Mesh		20	17.50
41.0042	Fuel Filter Replacement Cartridge Large 15 Mesh		20	26.75



## GUTTER CLEANING ATTACHMENT

PART NUMBER	IN	OUT	QTY	LIST PRICE
22.0110	1/4 QC plug	1/4 QC coupler	10	12.00

## PAINTED HOSE REELS

PART NUMBER	HOSE MAX	IN-OUT	HEIGHT x WIDTH	QTY	LIST PRICE
27.0006	50' 3/8"	3/8" M-F	12.5" x 11.5"	1	110.00
27.0004	100' 3/8"	3/8" M-F	12.5" x 15.5"	1	145.00
27.0005	150' 3/8"	3/8" M-F	16.5" x 15.5"	1	175.00
27.0007	200' 3/8"	3/8" M-F	16.5" x 21"	1	210.00

PRESSURE max. 4000 psi

TEMPERATURE max. 140°F

## HOSE REEL REPLACEMENT PARTS

PART NUMBER	DESCRIPTION	QTY	LIST PRICE
41.0087	Swivel 50' & 100' Hose Reel 1/2M-3/8NPT F	5	35.60
41.0088	Swivel 150' & 200' Hose Reel 3/4M-3/8NPT F-F	5	38.60
41.0086	Universal Hose Reel Replacement Handle Kit	5	10.00

## JUMPER HOSE / WHIP LINES 4000 PSI

PART NUMBER	LENGTH	QTY	LIST PRICE
30.0026	3/8" x 2'	5	31.50
30.0027	3/8" x 3'	5	34.00
30.0028	3/8" x 4'	5	36.75
30.0029	3/8" x 5'	5	39.25
30.0030	3/8" x 6'	5	41.75
30.0031	3/8" x 8'	5	47.00
30.0032	3/8" x 10'	5	52.50

## JUMPER HOSE / WHIP LINES 5800 PSI

PART NUMBER	LENGTH	QTY	LIST PRICE
30.0034	3/8" x 2'	5	33.00
30.0035	3/8" x 3'	5	36.25
30.0036	3/8" x 4'	5	39.25
30.0037	3/8" x 5'	5	42.25
30.0038	3/8" x 6'	5	45.25
30.0039	3/8" x 8'	5	51.75
30.0040	3/8" x 10'	5	58.25

## FRAME RUBBER FOOT

PART NUMBER	DIAMETER	HEIGHT	QTY	LIST PRICE
22.0105	2,5"	1"	50	2.00

## NOZZLE HOLDER GROMMET

PART NUMBER	MATERIAL	QTY	LIST PRICE
22.0102	RUBBER	100	0.25

# ACCESSORIES

## PRESSURE GAUGES

PART NUMBER	TYPE	SCALE	LIST PRICE
<b>1/4" M BOTTOM MOUNT</b>			
22.0111	2.5" DIAMETER S.S.	2300psi	16.50
22.0112	2.5" DIAMETER S.S.	3600psi	16.50
22.0113	2.5" DIAMETER S.S.	4500psi	16.50
22.0114	2.5" DIAMETER S.S.	6000psi	16.50



## GAUGE FITTINGS

PART NUMBER	CONNECTION	TYPE	LIST PRICE
24.0100	3/8" QC - 1/4" PORT	Brass with SS Collar	12.00
24.0101	3/8" QC - 1/4" PORT	Stainless Steel	15.00



## PULSATION DAMPENERS

PART NUMBER	VOLUME	CONNECTION	MAX PRESSURE	LIST PRICE
22.0096	0.1 liter	3/8 F	3100psi	160.00
22.0097	0.35 liter	1/2 F	3100psi	173.00
22.0098	0.35 liter	3/8 F	3100psi	173.00

PRECHARGE PRESSURE max. 580 psi  
TEMPERATURE max 180° F



## THREADLOCK

PART NUMBER	TYPE	CAPACITY	QTY	LIST PRICE
22.0094	MEDIUM	9 oz plastic btl	5	108.00
22.0095	STRONG	9 oz plastic btl	5	108.00



## TEFLON TAPE

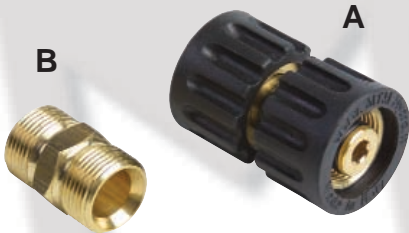
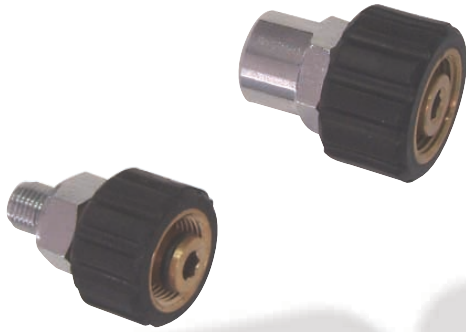
PART NUMBER	TYPE	QTY	LIST PRICE
22.0109	1/2" X 520" roll	200	0.75



## MT8 REPLACEMENT VENTED GRIP

PART NUMBER	TYPE	LIST PRICE
41.0089	MT8 replacement vented grip	10.00





## TWIST SEAL COUPLERS

PART NUMBER	IN-OUT	QTY	LIST PRICE
24.0085	M22 F - 1/4" F - 14mm	25	5.50
24.0086	M22 F - 1/4" M - 14mm	25	5.50
24.0087	M22 F - 3/8" F - 14mm	25	5.50
24.0088	M22 F - 3/8" M - 14mm	25	5.50
PRESSURE		max. 4000 psi	

## TWIST SEAL PLUGS

PART NUMBER	IN-OUT	QTY	LIST PRICE
24.0090	M22 M - 1/4" F - 14mm	25	3.25
24.0091	M22 M - 1/4" M - 14mm	25	3.25
24.0092	M22 M - 3/8" F - 14mm	25	3.25
24.0093	M22 M - 3/8" M - 14mm	25	3.25
PRESSURE		max. 4000 psi	

## SCREW ADAPTERS

PART NUMBER	IN-OUT	TYPE	QTY	LIST PRICE
24.0032	M22 F - M22 F Coupler - 14mm	A	25	7.00
24.0024	M22 M - M22 M Plug - 14mm	B	25	4.00
PRESSURE		max. 4100 psi		

## BUNA O-RING PACKS

PART NUMBER	DIMENSION	PACK	LIST PRICE
39.0024	1/4 QC Coupler	25	6.00
39.0025	1/4 QC Coupler	100	19.50
39.0026	3/8 QC Coupler	25	6.50
39.0027	3/8 QC Coupler	100	21.00

## VITON O-RING PACKS

PART NUMBER	DIMENSION	PACK	LIST PRICE
39.0028	1/4 QC Coupler	25	17.00
39.0029	1/4 QC Coupler	100	58.00
39.0030	3/8 QC Coupler	25	19.00
39.0031	3/8 QC Coupler	100	68.00

## BULK PUSH LOCK HOSE

PART NUMBER	DIMENSION	Q.TY	LIST PRICE
31.0013	1/4"	per foot	2.50
31.0014	3/8"	per foot	3.25
31.0015	1/2"	per foot	3.75
PRESSURE		max. 250 psi	



# QUICK COUPLERS AND CONNECTIONS



## BRASS COUPLERS

PART NUMBER	INLET	PRESSURE	QTY	LIST PRICE
24.0067	1/4" NPT F	5500 psi	25	6.00
24.0068	1/4" NPT M	5500 psi	25	6.00
24.0069	3/8" NPT F	4200 psi	25	7.00
24.0070	3/8" NPT M	4200 psi	25	7.00
24.0071	1/2" NPT F	3600 psi	25	12.75
24.0072	1/2" NPT M	3600 psi	25	12.75

## STAINLESS STEEL COUPLERS

PART NUMBER	INLET	PRESSURE	QTY	LIST PRICE
24.0061	1/4" NPT F	7500 psi	25	8.00
24.0062	1/4" NPT M	7500 psi	25	8.00
24.0063	3/8" NPT F	6300 psi	25	12.00
24.0064	3/8" NPT M	6300 psi	25	12.00
24.0065	1/2" NPT F	3600 psi	25	16.00
24.0066	1/2" NPT M	3600 psi	25	16.00

## ZINC COATED STEEL PLUGS

PART NUMBER	INLET	PRESSURE	QTY	LIST PRICE
24.0073	1/4" NPT F	5000 psi	25	1.10
24.0074	1/4" NPT M	5000 psi	25	1.10
24.0075	3/8" NPT F	4200 psi	25	1.25
24.0076	3/8" NPT M	4200 psi	25	1.25
24.0077	1/2" NPT F	3600 psi	25	2.25
24.0078	1/2" NPT M	3600 psi	25	2.25

## STAINLESS STEEL PLUGS

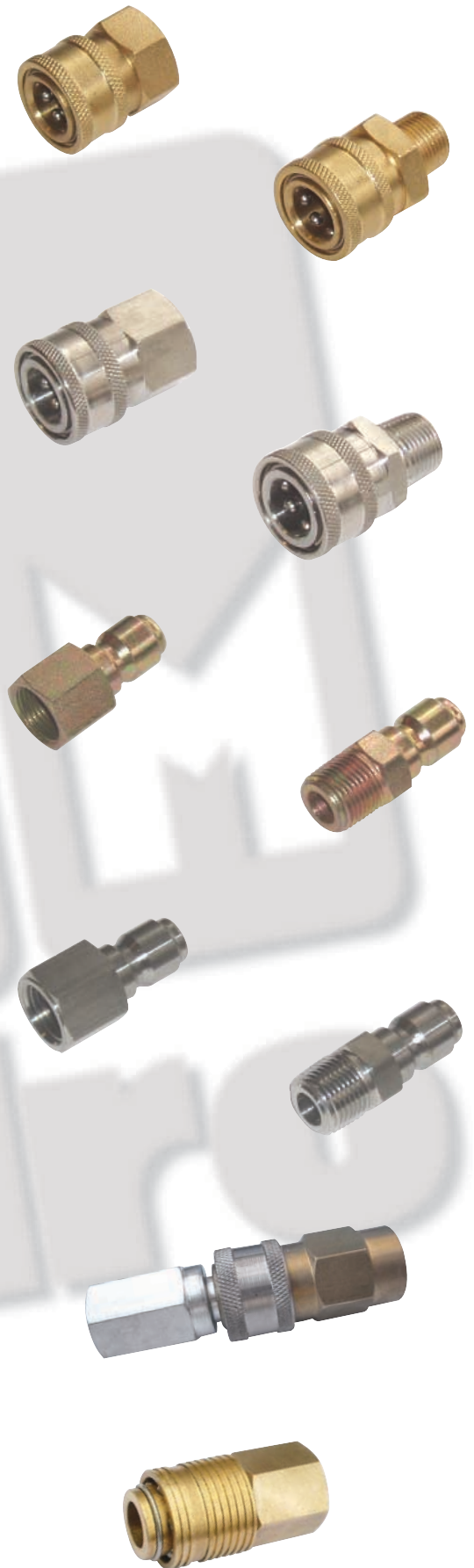
PART NUMBER	INLET	PRESSURE	QTY	LIST PRICE
24.0079	1/4" NPT F	5000 psi	25	3.00
24.0080	1/4" NPT M	5000 psi	25	3.00
24.0081	3/8" NPT F	4200 psi	25	4.50
24.0082	3/8" NPT M	4200 psi	25	4.50
24.0083	1/2" NPT F	3600 psi	25	6.00
24.0084	1/2" NPT M	3600 psi	25	6.00

## WAND SAVER QUICK COUPLERS & PLUGS

PART NUMBER	INLET	MATERIAL	TYPE	QTY	LIST PRICE
24.0098	1/4" NPT F	Brass w/S.S. Collar	coupler	25	8.00
24.0099	1/4" NPT F	Stainless Steel	coupler	25	12.00
24.0102	1/4" NPT F	ZP Steel	plug	25	2.40
24.0103	1/4" NPT F	Stainless Steel	plug	25	6.25

## SNAP-OPEN QUICK COUPLERS

PART NUMBER	INLET	MATERIAL	QTY	LIST PRICE
24.0096	1/4 F	Brass	25	9.00
24.0097	3/8 F	Brass	25	12.00





## CLEAR NYLONBRAIDED TUBING

PART NUMBER	ID x Wall thickness	ROLL	LIST PRICE
31.0001	1/4" x 2.5mm	100'	43.75
31.0002	1/4" x 2.5mm	300'	132.00
31.0003	3/8" x 2.9mm	100'	69.00
31.0004	3/8" x 2.9mm	300'	205.00
31.0005	1/2" x 3.0mm	100'	80.50
31.0006	1/2" x 3.0mm	300'	241.00
31.0007	5/8" x 3.5mm	50'	58.00
31.0008	5/8" x 3.5mm	100'	115.00
31.0009	3/4" x 3.5mm	50'	59.00
31.0010	3/4" x 3.5mm	100'	151.50

## CLEAR VINYL TUBING

PART NUMBER	ID x Wall thickness	ROLL	LIST PRICE
31.0011	1/4" x 1.5mm	100'	19.00



## REPLACEMENT TIRES

PART NUMBER	DESCRIPTION	LIST PRICE
22.0083	10" RUBBER WHEEL FOAM FILLED W/METAL BEARING 3/4"	33.00
22.0084	10" RUBBER WHEEL FOAM FILLED W/METAL BEARING 5/8"	33.00
22.0265	10" RUBBER WHEEL FOAM FILLED W/NYLON BUSHING 3/4"	32.50
22.0266	10" RUBBER WHEEL FOAM FILLED W/NYLON BUSHING 5/8"	32.50
22.0264	10" RUBBER WHEEL FOAM FILLED W/OUT BUSHING OR BEARING	31.50
22.0276	10" RUBBER WHEEL TUBE TYPE W/METAL BEARING 3/4"	19.50
22.0277	10" RUBBER WHEEL TUBE TYPE W/METAL BEARING 5/8"	19.50
22.0107	10" RUBBER WHEEL TUBE TYPE W/NYLON BUSHING 3/4"	19.00
22.0108	10" RUBBER WHEEL TUBE TYPE W/NYLON BUSHING 5/8"	19.00
22.0275	10" RUBBER WHEEL TUBE TYPE W/OUT BUSHING OR BEARING	18.00
22.0082	13" RUBBER WHEEL FOAM FILLED W/METAL BEARING 3/4"	55.50
22.0268	13" RUBBER WHEEL FOAM FILLED W/METAL BEARING 5/8"	55.50
22.0270	13" RUBBER WHEEL FOAM FILLED W/NYLON BUSHING 3/4"	55.00
22.0269	13" RUBBER WHEEL FOAM FILLED W/NYLON BUSHING 5/8"	55.00
22.0267	13" RUBBER WHEEL FOAM FILLED W/OUT BUSHING OR BEARING	54.00
22.0272	13" RUBBER WHEEL TUBE TYPE W/METAL BEARING 3/4"	30.50
22.0273	13" RUBBER WHEEL TUBE TYPE W/METAL BEARING 5/8"	30.50
22.0106	13" RUBBER WHEEL TUBE TYPE W/NYLON BUSHING 3/4"	30.00
22.0274	13" RUBBER WHEEL TUBE TYPE W/NYLON BUSHING 5/8"	30.00
22.0271	13" RUBBER WHEEL TUBE TYPE W/OUT BUSHING OR BEARING	29.00
22.0085	REPLACEMENT TIRE NYLON BUSHING 3/4"	1.00
22.0086	REPLACEMENT TIRE NYLON BUSHING 5/8"	1.00
22.0087	REPLACEMENT TIRE ROLLER BEARING 3/4"	1.50
22.0088	REPLACEMENT TIRE ROLLER BEARING 5/8"	1.50

## FOAM LANCE

PART NUMBER	INLET	NOZZLE	FLOW	BOTTLE	QTY	LIST PRICE
14.0001	M22 M	ø 1.5 mm	1-2 gpm	17 oz	10	59.00
14.0002	M22 M	ø 1.5 mm	1-2 gpm	64 oz	10	62.00
14.0003	M22 M	ø 1.5 mm	1-2 gpm	128 oz	10	66.00
14.0004	M22 M	ø 1.8 mm	3-4 gpm	17 oz	10	59.00
14.0005	M22 M	ø 1.8 mm	3-4 gpm	64 oz	10	62.00
14.0006	M22 M	ø 1.8 mm	3-4 gpm	128 oz	10	66.00
14.0007	M22 M	ø 2.1 mm	4-5.5 gpm	17 oz	10	59.00
14.0008	M22 M	ø 2.1 mm	4-5.5 gpm	64 oz	10	62.00
14.0009	M22 M	ø 2.1 mm	4-5.5 gpm	128 oz	10	66.00



## WATER BROOMS

PART NUMBER	TYPE	QTY	LIST PRICE
22.0100	12" - 3 nozzles	5	50.00
22.0101	16" - 4 nozzles	5	60.00
17.0137	Nozzle 1/4 MEG SS 65 DEG 2.0	1	9.20



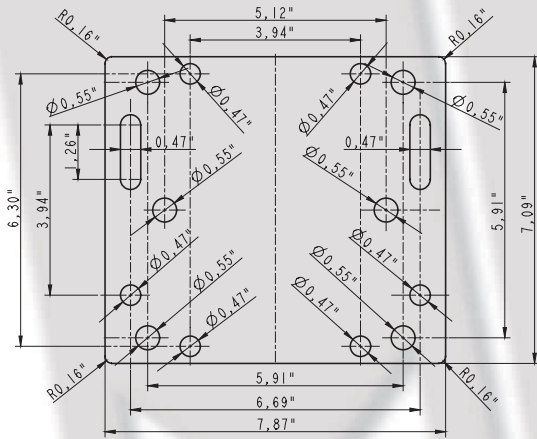
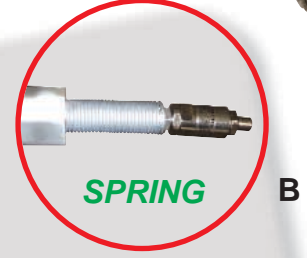
## FLOOR CLEANER "FC10" - S. STEEL

PART NUMBER	NOZZLE TYPE	CONNECTION	QTY	LIST PRICE
27.0001*	not included	M22x1,5 M	1	1.125.00
17.0010*	800067 w/filter	M22x1,5 M	4	46.25
17.0011*	80010 w/filter	M22x1,5 M	4	46.25
17.0012*	80015 w/filter	M22x1,5 M	4	46.25
10.0012*	GUN for FC10	3/8 F - M22F	1	65.75

PRESSURE max. 4100 psi  
TEMPERATURE max. 320°F



# CAR WASH CEILING BOOMS STAINLESS STEEL



UNIVERSAL PLATE

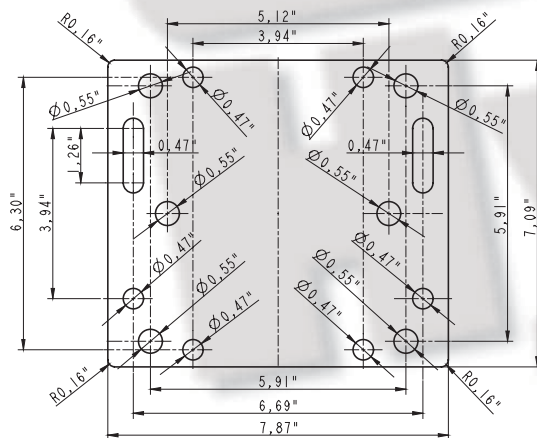


## CEILING RIGID BOOMS

PART NUMBER	TYPE	CONNECTION	LENGTH	EURO EACH
25.0003	A - s.s.pipe	1/4" F - 1/4" M	63"	1331.00
25.0005	A - s.s.pipe	1/4" F - 1/4" M	69"	1337.00
25.0007	A - s.s.pipe	1/4" F - 1/4" M	79"	1489.00
25.0004	A - s.s.pipe	1/4" F - 3/8" M	63"	1331.00
25.0006	A - s.s.pipe	1/4" F - 3/8" M	69"	1337.00
25.0008	A - s.s.pipe	1/4" F - 3/8" M	79"	1489.00
25.0123	B - rubber hose	1/4" F - 1/4" M	63"	1331.00
25.0124	B - rubber hose	1/4" F - 1/4" M	69"	1337.00
25.0125	B - rubber hose	1/4" F - 1/4" M	79"	1489.00
25.0126	B - rubber hose	1/4" F - 3/8" M	63"	1331.00
25.0127	B - rubber hose	1/4" F - 3/8" M	69"	1337.00
25.0128	B - rubber hose	1/4" F - 3/8" M	79"	1489.00

PRESSURE  
TEMPERATURE  
ROTATION ANGLE

max 3100 psi  
max 250°F  
360°



UNIVERSAL PLATE

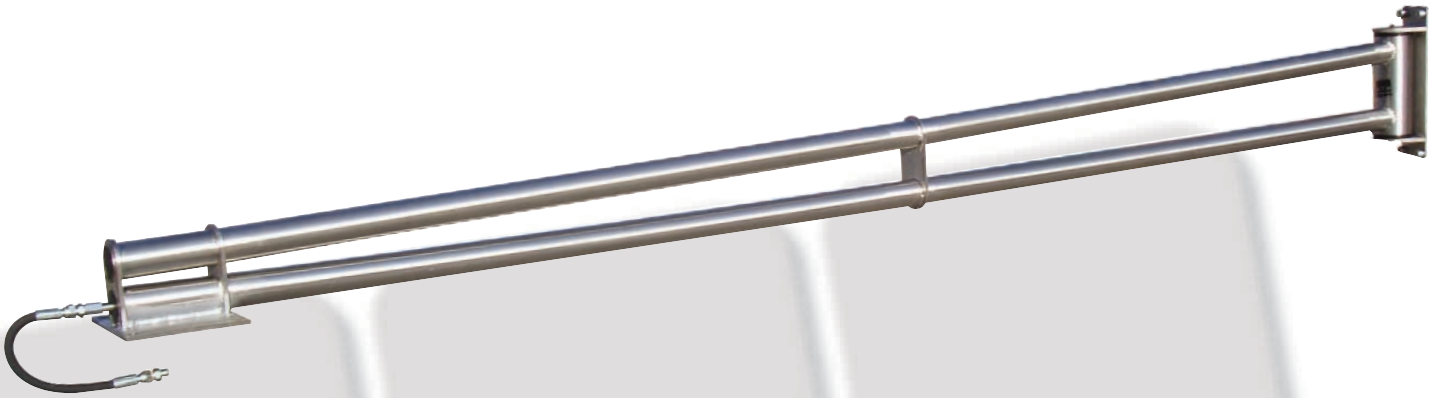
## CEILING FLEXIBLE (2 SPRINGS) BOOMS

PART NUMBER	CONNECTIONS	LENGTH	LIST PRICE
25.0009	1/4 F - 1/4 M	63"	1331.00
25.0011	1/4 F - 1/4 M	69"	1337.00
25.0013	1/4 F - 1/4 M	79"	1489.00
25.0015	1/4 F - 1/4 M	99"	1671.00
25.0017	1/4 F - 1/4 M	118"	1869.00
25.0010	1/4 F - 3/8 M	63"	1331.00
25.0012	1/4 F - 3/8 M	69"	1337.00
25.0014	1/4 F - 3/8 M	79"	1489.00
25.0016	1/4 F - 3/8 M	99"	1671.00
25.0018	1/4 F - 3/8 M	118"	1869.00

PRESSURE  
TEMPERATURE  
ROTATION ANGLE

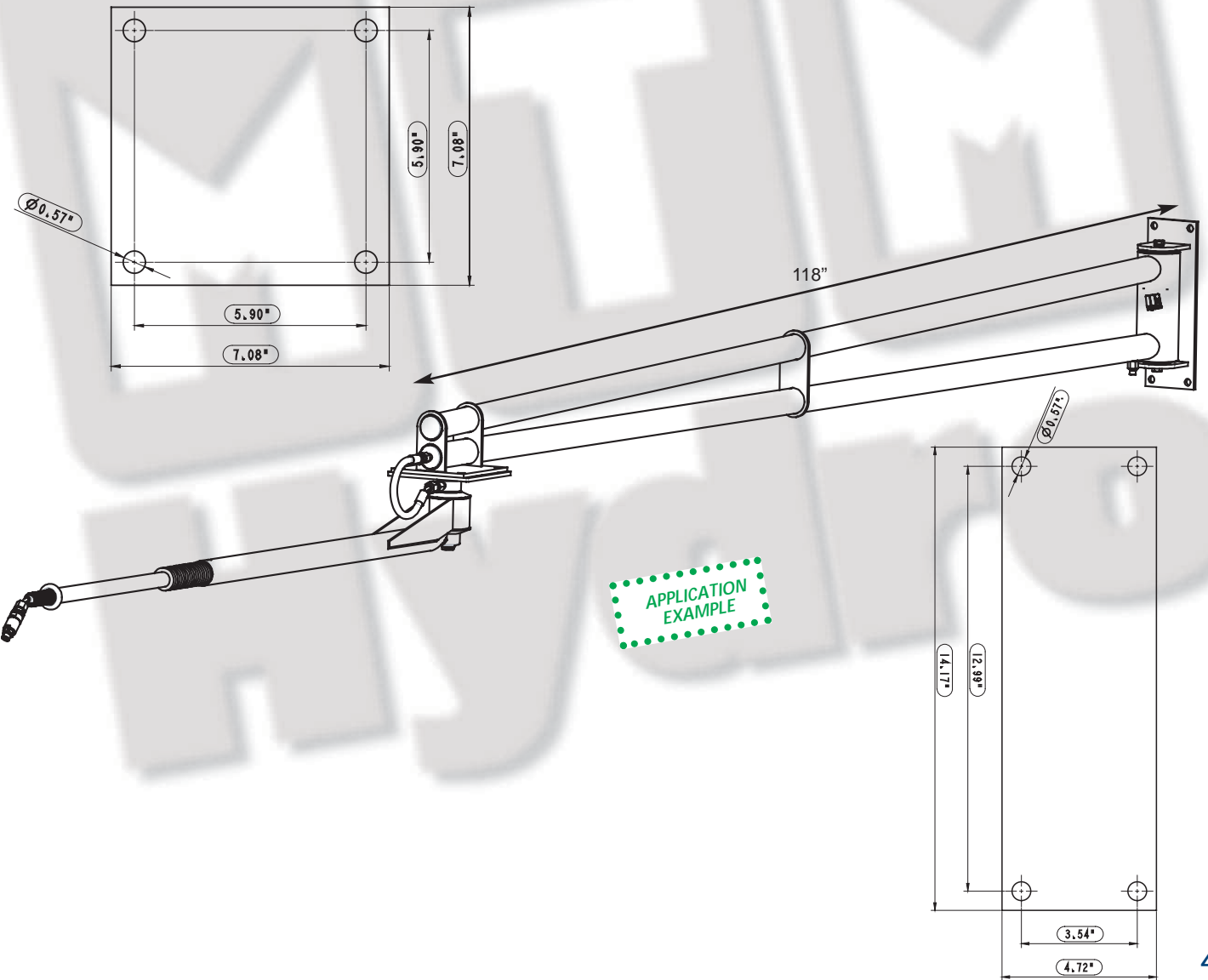
max. 3100 psi  
max. 250°F  
360°

# CAR WASH WALL EXTENSION STAINLESS STEEL

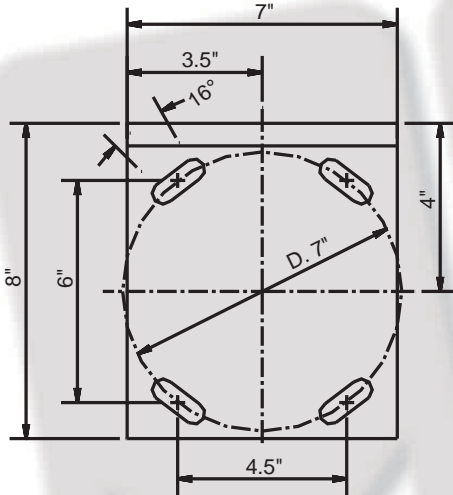


## WALL BOOM EXTENSION for CEILING BOOMS

PART NUMBER	CONNECTIONS	LENGTH	LIST PRICE
25.0035	1/4 M - 1/4 M	118"	3311.00
PRESSURE	max. 3100 psi		
TEMPERATURE	max. 250°F		
ROTATION ANGLE	180°		



# CAR WASH WALL BOOMS STAINLESS STEEL



UNIVERSAL PLATE

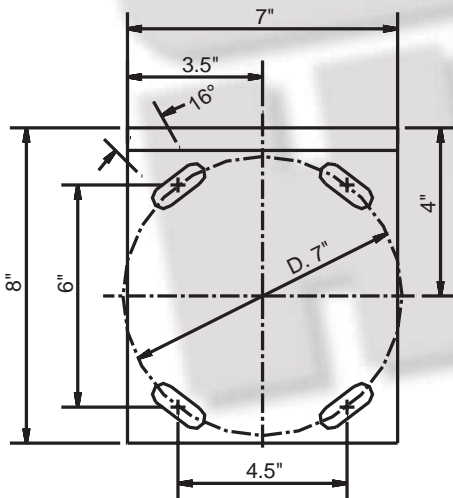


## RIGID WALL BOOMS

PART NUMBER	TYPE	CONNECTION	LENGTH	EURO EACH
25.0019	A - s.s.pipe	1/4" F - 1/4" M	63"	1498.00
25.0021	A - s.s.pipe	1/4" F - 1/4" M	69"	1504.00
25.0023	A - s.s.pipe	1/4" F - 1/4" M	79"	1656.00
25.0020	A - s.s.pipe	1/4" F - 3/8" M	63"	1498.00
25.0022	A - s.s.pipe	1/4" F - 3/8" M	69"	1504.00
25.0024	A - s.s.pipe	1/4" F - 3/8" M	79"	1656.00

25.0129	B - rubber hose	1/4" F - 1/4" M	63"	1498.00
25.0130	B - rubber hose	1/4" F - 1/4" M	69"	1504.00
25.0131	B - rubber hose	1/4" F - 1/4" M	79"	1656.00
25.0132	B - rubber hose	1/4" F - 3/8" M	63"	1498.00
25.0133	B - rubber hose	1/4" F - 3/8" M	69"	1504.00
25.0134	B - rubber hose	1/4" F - 3/8" M	79"	1656.00

PRESSURE max 3100 psi  
TEMPERATURE max 250°F  
ROTATION ANGLE 360°



## FLEXIBLE (2 SPRINGS) WALL BOOMS

PART NUMBER	CONNECTIONS	LENGTH	LIST PRICE
25.0025	1/4 F - 1/4 M	63"	1498.00
25.0027	1/4 F - 1/4 M	69"	1504.00
25.0029	1/4 F - 1/4 M	79"	1656.00
25.0031	1/4 F - 1/4 M	99"	1838.00
25.0033	1/4 F - 1/4 M	118"	2036.00
25.0026	1/4 F - 3/8 M	63"	1498.00
25.0028	1/4 F - 3/8 M	69"	1504.00
25.0030	1/4 F - 3/8 M	79"	1656.00
25.0032	1/4 F - 3/8 M	99"	1838.00
25.0034	1/4 F - 3/8 M	118"	2036.00

PRESSURE max. 3100 psi  
TEMPERATURE max. 250°F  
ROTATION ANGLE 180°

UNIVERSAL PLATE

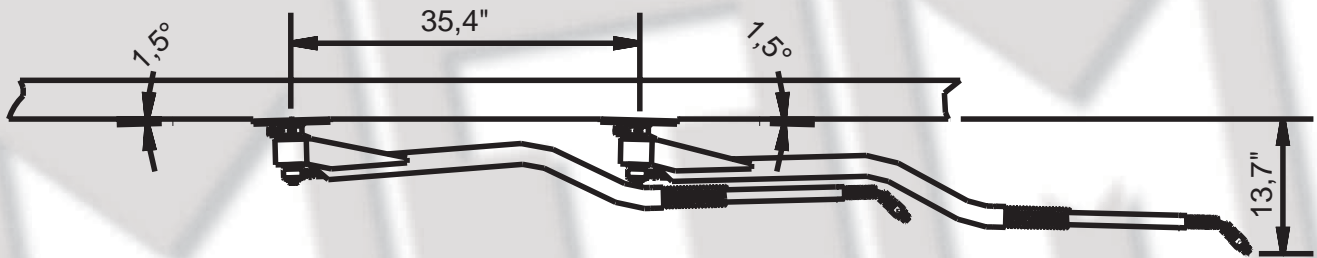
# CAR WASH CEILING "Z" BOOM STAINLESS STEEL



## CEILING FLEXIBLE "Z" BOOM (2 SPRINGS)

PART NUMBER	CONNECTIONS	LENGTH	QTY	LIST PRICE
25.0047	1/4 F - 1/4 M	61"	2	1701.00
25.0048	1/4 F - 3/8 M	61"	2	1701.00

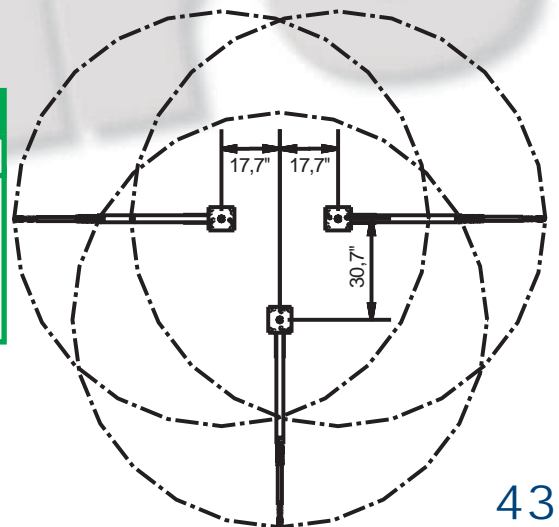
PRESSURE max. 3100 psi  
 TEMPERATURE max. 250°F  
 ROTATION ANGLE 360°



## CEILING RIGID "Z" BOOM

PART NUMBER	CONNECTIONS	LENGTH	QTY	LIST PRICE
25.0049	1/4 F - 1/4 M	61"	2	1610.00
25.0050	1/4 F - 3/8 M	61"	2	1610.00

PRESSURE max. 3100 psi  
 TEMPERATURE max. 250°F  
 ROTATION ANGLE 360°



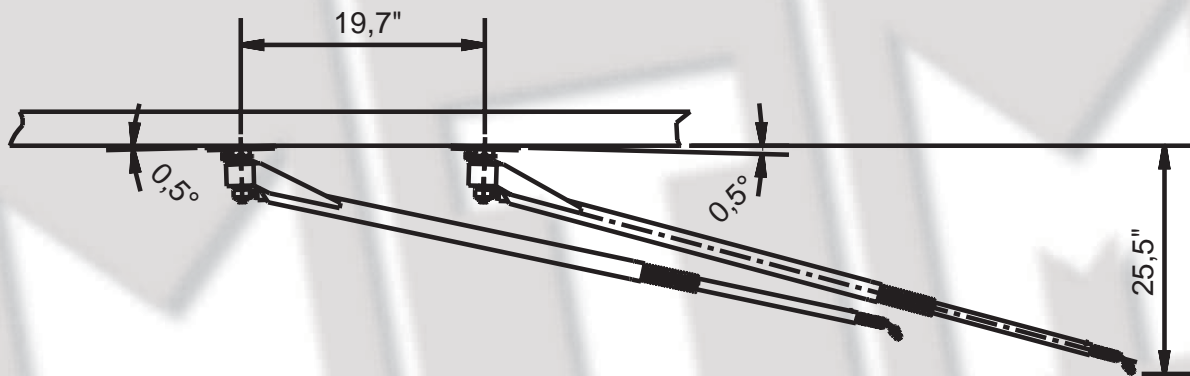
# CAR WASH CEILING S.STEEL BOOMS SPECIAL VERSIONS



## CEILING INCLINED FLEXIBLE (2 SPRINGS) BOOMS

PART NUMBER	CONNECTIONS	LENGTH	QTY	LIST PRICE
25.0051	1/4 F - 1/4M	73"	2	1519.00
25.0052	1/4 F - 3/8 M	73"	2	1519.00

PRESSURE max. 3100 psi  
 TEMPERATURE max. 250°F  
 ROTATION ANGLE 360°



## CEILING RIGID SHORT BOOMS

PART NUMBER	CONNECTIONS	LENGTH	QTY	LIST PRICE
25.0001	1/4 F - M	47"	2	1261.00
25.0002	1/4 F - 3/8 M	47"	2	1261.00

PRESSURE max. 3100 psi  
 TEMPERATURE max. 250°F  
 ROTATION ANGLE 360°



# CAR WASH VERTICAL BOOMS STAINLESS STEEL

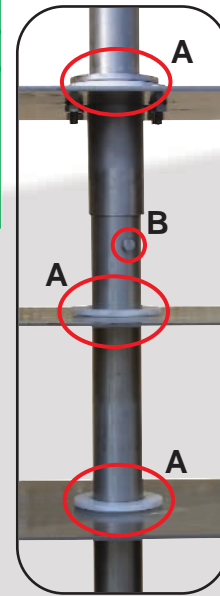
## FLEXIBLE VERTICAL BOOM WITH SWIVEL

PART NUMBER	LENGTH	LIST PRICE
25.0054	118" (+ 39" inside)	1152.00

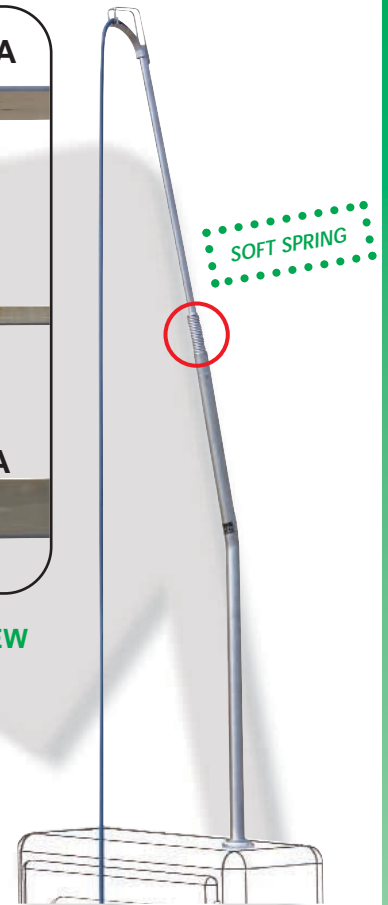
ROTATION ANGLE 360°

H.P. HOSE NOT INCLUDED

A: TEFLON BEARINGS  
B: STOPPING BOLT



INSIDE VIEW

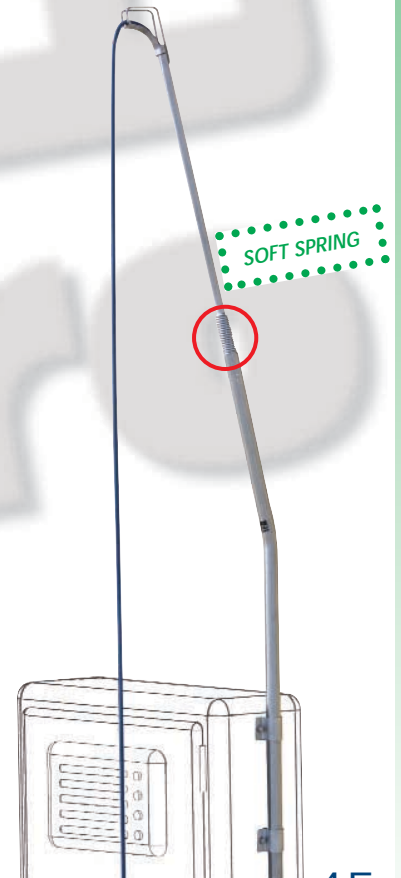


## FLEXIBLE VERTICAL BOOM - SIDE HANG

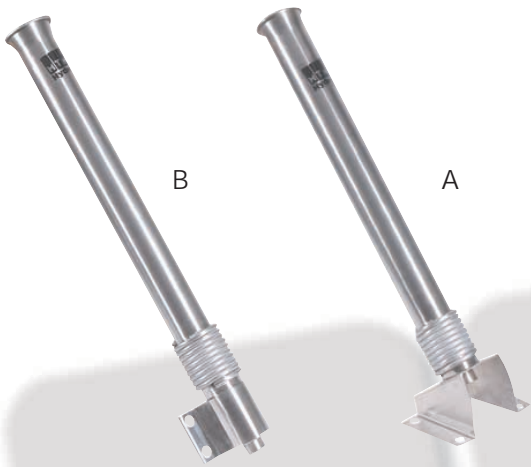
PART NUMBER	LENGTH	LIST PRICE
25.0055	118"	836.00

FIXED ROTATION ANGLE

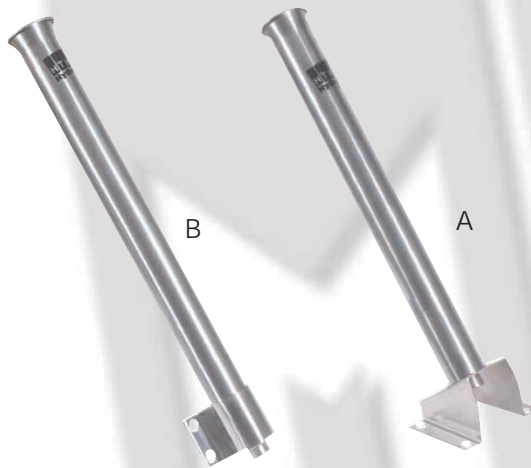
H.P. HOSE NOT INCLUDED



# STAINLESS STEEL LANCE HOLDERS



<b>"FLEXIBLE"</b>			
PART NUMBER	TYPE	LENGTH	LIST PRICE
26.0022	floor mount A	25,5"	325.00
26.0023	wall mount B	25,5"	325.00



<b>"RIGID"</b>			
PART NUMBER	TYPE	LENGTH	LIST PRICE
26.0024	floor mount A	25,5"	296.00
26.0025	wall mount B	25,5"	296.00



<b>BRUSH-LANCE HOLDER</b>			
PART NUMBER	TYPE	DIMENSIONS	LIST PRICE
26.0026	floor and wall mount	27" x 12"	545.00

# HIGH PRESSURE SWIVELS



## NICKEL PLATED BRASS SWIVELS W/STAINLESS STEEL STEM

PART NUMBER	INLET	OUTLET	QTY	LIST PRICE
26.0001	1/4 F	1/4 M	10	127.00
26.0002	1/4 F	3/8 M	10	127.00
26.0003	3/8 F	3/8 M	10	127.00
26.0004	3/8 F	1/4 M	10	127.00

PRESSURE max. 4100 psi  
 FLOW max. 10,5 USgpm  
 TEMPERATURE max. 250°F



## NICKEL PLATED BRASS SWIVELS W/STAINLESS STEEL STEM 90°

PART NUMBER	INLET	OUTLET	QTY	LIST PRICE
26.0005	1/4 M	1/4 F	10	110.00
26.0006	3/8 M	1/4 F	10	110.00
26.0007	3/8 M	3/8 F	10	110.00
26.0008	1/4 M	3/8 F	10	110.00

PRESSURE max. 4100 psi  
 FLOW max. 10,5 USgpm  
 TEMPERATURE max. 250°F



## "SL" SWIVEL COUPLINGS

PART NUMBER	INLET	OUTLET	QTY	LIST PRICE
22.0072	3/8 F	1/4 F	20	29.00
22.0073	3/8 F	1/4 M	20	29.00
22.0074	3/8 F	3/8 F	20	29.00
22.0075	3/8 F	3/8 M	20	29.00
22.0076	3/8 F	M22 M	20	29.00
22.0077*	M22 M	1/4 F	20	29.00
22.0078*	M22 M	1/4 M	20	29.00
22.0079*	M22 M	3/8 F	20	29.00
22.0080*	M22 M	3/8 M	20	29.00
22.0081*	M22 M	M22 M	20	29.00

PRESSURE max. 4100 psi  
 FLOW max. 10,5 USgpm  
 TEMPERATURE max. 300°F



## SWIVEL COUPLINGS

PART NUMBER	INLET	TYPE	MATERIAL	QTY	LIST PRICE
22.0124	3/8NPT F - 3/8NPT M	Straight		20	12.00

PRESSURE max. 3600 psi  
 FLOW max. 8 USgpm



\* Indicates Non-Stock Item. Available by Special Order Only.



## CAR WASH BRUSH - ONE PIECE

PART NUMBER	BRUSH TYPE	INLET	QTY	LIST PRICE
26.0013*	Natural Hair Bristles 2,4" long	1/4 F	50	81.00
26.0014*	Natural Hair Bristles 3,6" long	1/4 F	40	113.00
26.0015*	Natural Hair Bristles 2,4" long	1/2 F	50	81.00
26.0016*	Natural Hair Bristles 3,6" long	1/2 F	40	113.00



## CAR WASH BRUSH - TWO PIECE

PART NUMBER	TYPE	TYPE	QTY	LIST PRICE
26.0017*	Plastic Support 1/4 F	A	50	22.50
26.0018*	Replacement Brushes w/2,4" Natural Hair Bristles	B	50	83.00
26.0019*	Replacement Brushes w/3,6" Natural Hair Bristles	B	50	126.00
26.0020*	Plastic Anti-theft Device	C	50	32.00



## FOAMER FOR BRUSHES

PART NUMBER	INLET	OUTLET	ORIFICE	QTY	LIST PRICE
26.0021*	1/4 F	1/4 M	ø 2,5 mm	5	27.75
<b>MATERIAL</b>	<b>STAINLESS STEEL</b>				



## JOINT FOR CAR WASH BRUSH AND NOZZLE

PART NUMBER	INLET	NOZZLE SOCKET	OUTLET	QTY	LIST PRICE
26.0012*	1/4 F	1/8 F	1/4 M	5	156.00
<b>N.B.: BRUSH NOT INCLUDED SEE TOP OF THE PAGE</b>					



## ROTATING BRUSH "TS200"

PART NUMBER	BRUSH TYPE	NOZZLE	QTY	LIST PRICE
26.0009	White Nylon Bristles	3 mm	5	62.00
26.0010	Horse Hair Bristles	3 mm	5	74.00
INLET	1/4 Male			
PRESSURE	max. 435 psi			
FLOW	max. 8 USgpm			
TEMPERATURE	max. 140°F			

# CAR WASH ACCESSORIES



## CAR WASH BRUSH LANCE

PART NUMBER	TYPE	IN-OUT	QTY	LIST PRICE
14.0028*	L=28"	1/4 M - 1/4 M	20	60.50
14.0030*	L=38"	1/4 M - 1/4 M	20	69.00
14.0032*	L=47"	1/4 M - 1/4 M	20	75.00
14.0029*	L=28"	3/8 M - 1/4 M	20	60.50
14.0031*	L=38"	3/8 M - 1/4 M	20	69.00
14.0033*	L=47"	3/8 M - 1/4 M	20	75.00
PRESSURE		max. 4100 psi		



## INSULATED CAR WASH LANCE

PART NUMBER	LENGTH	PIPE TYPE	OUTLET	Q.TY	LIST PRICE
12.0048	28"	stainless steel	1/4 F	30	42.00
12.0050	36"	stainless steel	1/4 F	30	47.50
12.0051	47"	stainless steel	1/4 F	30	56.50
PRESSURE		max. 4100 psi			
FLOW		max. 10.5 USgpm			
TEMPERATURE		max. 300°F			



## BENDABLE CAR WASH LANCE

PART NUMBER	LENGTH	PIPE TYPE	IN-OUT	QTY	LIST PRICE
12.0059	18"	zinc plated steel	1/4 M-M	25	16.00
12.0060	18"	zinc plated steel	1/4 M-1/8 F	25	16.00
12.0061	18"	stainless steel	1/4 M-M	25	32.00
12.0062	18"	stainless steel	1/4 M-1/8 F	25	32.00
PRESSURE		max. 2500 psi			
FLOW		max. 8 USgpm			
TEMPERATURE		max. 195°F			



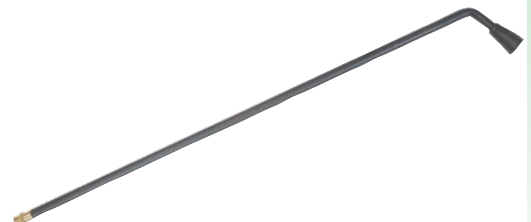
## PLASTIC BRACKETS FOR LANCE

PART NUMBER	TYPE	QTY	LIST PRICE
22.0092	for "MT3" lances	30	3.60
22.0093	for "MT2" lances	30	3.60



## UNDER BODY SPRAY LANCE

PART NUMBER	INLET	OUTLET	LENGTH	QTY	LIST PRICE
14.0068*	1/4 M	1/4 F	40"	10	44.25
PRESSURE		max. 4100 psi			



\* Indicates Non-Stock Item. Available by Special Order Only.

<b>A</b>		<b>I</b>		<b>S</b>	
Accumulators	35	Injectors	29	Sand Blast Kits	18
Adjustable Thermostat	10	Inlet Filters	32,33	Screw Couplers	36
<b>B</b>		Inline Fuel Filters	33	Sewer Nozzles	19
Ball valves	28	<b>J</b>		Soap Nozzles	15,19
Bendable lances	49	Jetter Nozzles	19	Sockets	37
Black hoses	12,13	Jumper Hose	13, 34	Spray Guns	2, 3, 4, 39
Booms	40, 41, 42, 43, 44, 45	<b>K</b>		Spray Nozzles	11,14,15,19,39
Brushes	48	Karcher Type Lances	8	Spray Tip Holders	8,11
Brush Holder	46	Karcher Type Spray Gun	3	Steam Nozzle	19
<b>C</b>		KEW Style Lances	8	Steam Valves	27
Carwash Lances	49	KEW Style Spray Guns	3	Switches	9,10
Check valves	26	<b>L</b>		Swivels	34, 47
Chemical Injectors	29	Lances	4, 5, 6, 7, 8, 39, 49	<b>T</b>	
Chemical Valves	27	Lance Holders	46,49	Tank, Float Valve	30
Cold Water Hose	13	<b>M</b>		Teflon Tape	35
Couplers, QC	37	MEG Nozzles	14,15	Thermal Relief Valves	25
Couplers, Twist	36	Metering Valves	27	Thermostats	10
<b>D</b>		Molded Grip Lances	6, 49	Thread Lock	35
Dual Lances	7,8	Mounting Blocks	10, 20	Tires	38
Drum Pumps	18	<b>N</b>		Trigger Guns	2, 3, 4, 39
<b>E</b>		Non Marking Hose	12,13	Trigger Lance	7
Easy Start Valves	26	Non-Molded Lances	7	Turbo Nozzles	16,17
<b>F</b>		Nozzle Holders	8,11, 19	Twist Couplers	36
Filters, Chemical	31	Nozzles	11, 14, 15, 19, 39	Twist Plugs	36
Filters, Fuel	33	<b>O</b>		<b>U</b>	
Filters, Water	16, 30, 32, 33	Open Spray Guns	2	Unloader Mounting Block	10, 20
Float Tanks	30	O-Rings	36	Unloaders	20, 21, 22, 23, 24
Float Valves	30	Orifice, Threaded	11	<b>V</b>	
Floor Cleaner	39	<b>P</b>		Vacuum Switches	10
Flow Switch	10	Plugs	36, 37	Variable Angle Nozzles	4, 11
Foam Lance	39	Poly Braid Tubing	38	Vented Grip Lances	6, 7, 8
<b>G</b>		Pressure Gauges	35	Vented Grip Replacement	35
Garden Hose Fittings	31	Pressure Relief Valves	25	<b>W</b>	
Grommets	34	Pressure Switches	9	Wands	4, 5, 6, 7, 8, 49
Gauges	35	Pulsation Dampeners	35	Wand Handle	6
Guns	2, 3, 4, 39	<b>Q</b>		Water Brooms	39
Guns with Extensions	4	Quick Connects	37	Water Filters	16, 30, 32, 33
Gutter Cleaner	34	<b>R</b>		Weep Guns	2
<b>H</b>		Relief Valves	25	Whip Lines	13, 34
High Pressure Filters	16	Rotating Brushes	48	<b>Y</b>	
High-Low Nozzles	4, 11	Rotating Nozzles	16, 17, 19	Y Strainers	32
Hose Reel	34	Rubber Feet	34		
Hose Reel Swivels	34	Rubber Grommets	34		
Hoses	12, 13, 38				

# TERMS AND CONDITIONS



## **PAYMENT:**

Standard terms are net 30 days from date of invoice for accounts with approved credit by MTM Hydro, Inc. A service charge of 1.5 % per month may be assessed on invoices over 30 days.

## **SHIPPING:**

All freight shipped freight collect. All other orders shipped by United Parcel Service (UPS) unless otherwise specified. UPS charges are prepaid and added to the invoice. There is a \$ 10.00 charge per order for drop shipments.

## **PRICING:**

MTM HYDRO, Inc. reserves the right to change discounts and/or prices without notice. Trade discounts are based upon unit and dollar volume and are inclusive of warranty allowance. A surcharge may be added to individual orders in response to foreign currency exchange rate fluctuations.

- Price list effective January 1st, 2008
- Subject to change without notice
- All prices F.O.B. Eden Prairie, Minnesota
- The price in effect at time of shipment will apply.
- Pricing discrepancies must be filed within 30 days of invoice

## **MINIMUM OF ORDER:**

\$ 50 minimum required for all orders.

## **RETURNS:**

- Returns for credit must be received within 30 days of shipment and pre-approved by MTM Hydro Inc.
- All returns must be sent freight paid.
- A return authorization number and invoice copy must accompany all returns.
- Please note that a restocking charge will be assessed.

## **SHIPPING DISCREPANCIES:**

Discrepancies must be submitted within 24 hours of receipt of goods.

## **LIMITED WARRANTY ON MTM Hydro, Inc. PRODUCTS**

MTM Hydro warrants to the original purchaser of its products (the "Purchaser") that such products will be free from defects in material and workmanship under normal use for the period of ninety (90) days for all products. "Normal use" does not include use in excess of recommended maximum speeds, flows, pressures, vacuums and temperatures, or use requiring handling of fluids not compatible with component materials as noted in MTM Hydro products catalog, technical literature, and instructions. This warranty does not cover freight damage, freezing damage, normal wear and tear, or damage caused by misapplication, fault, negligence, alterations, or repair that affects the performance or reliability of the product.

This warranty is exclusive. MTM Hydro Inc. makes no other warranty, express or implied, included but not limited to any warranty of merchantability or fitness for a particular purpose.

MTM Hydro's obligations under this warranty is, at MTM Hydro's option, to either repair or replace the product upon return of the entire product to the MTM Hydro factory in accordance with the return procedures set forth under "Returns". This is the exclusive remedy for any breach of warranty.

In no event shall MTM Hydro Inc. be liable for any incidental or consequential damages of any kind, whether for breach of any warranty, for negligence on the basis of strict liability, or otherwise.

Possession of this Catalog or any other MTM Hydro, Inc. material should not be construed as an offer to sell.



## **MTM Hydro Inc.**

7430 Washington Ave. So

Eden Praire, Minnesota 55344

phone 952.746.4825 - 866.MTM.4020

fax 952.746.4829 - 866.MTM.4021

[www.mtmhydro.com](http://www.mtmhydro.com)

[info@mtmhydro.com](mailto:info@mtmhydro.com)

**components and accessories  
for high pressure cleaners  
and car wash industry**