

## K7 Unloader



Flow Actuated

**GPM:** 2.1-10.8  
**PSI:** 3,500 PSI  
**TEMP:** 165° F

EnviroSpec has installed Special Valving to help reduce Surging while in BY-PASS

PART #	DESCRIPTION	PRICE
1089	2.1-2.9 GPM - K7.0 <b>NET PRICE</b>	\$ 69.95
1090	2.9-4.2 GPM - K7.1 <b>NET PRICE</b>	\$ 69.95
1091	4.2-6.6 GPM - K7.2 <b>NET PRICE</b>	\$ 69.95
1092	6.6-10.8 GPM - K7.3 <b>NET PRICE</b>	\$ 69.95
1789	REPAIR KIT - FITS ALL	\$ 24.12

## K10 Unloader



**GPM:** 10.8  
**PSI:** 3,600 PSI  
**TEMP:** 165° F



One Size Fits All!

PART #	DESCRIPTION	PRICE
1096	UNLOADER, K-10 FLOW ACTUATED	\$ 76.87
1095	REPAIR KIT FOR K-10	\$ 50.35

## VB-10 Unloader

SUPER SOFT TOUCH

**GPM:** 8  
**PSI:** 4,000 PSI  
**TEMP:** 195° F



Feels like a **FLOW ACTUATED** ...but easy to adjust like a **PRESSURE ACTUATED!**

PART #	DESCRIPTION	PRICE
1108	UNLOADER, PA10 <b>NET PRICE</b>	\$ 79.95
1109	REPAIR KIT FOR VB-10 <b>NET PRICE</b>	\$ 49.95

## YU-2140 Unloader



The best large volume pressure actuated unloader in the industry!

**GPM:** 21  
**PSI:** 4,500 PSI  
**TEMP:** 200°



PART #	DESCRIPTION	PRICE
1101	1/2" In/Out/By-pass <b>NET PRICE</b>	\$ 79.95
1102	ADJUSTABLE KNOB	\$ 14.23
1103	Repair Kit	\$ 32.91

## Packing Extraction Kit



includes Slide Hammer that attaches to extractor socket and extractor sockets that fit: 5mm, 18mm, 20mm (ex. TS2021), 22mm & 24mm.

PART #	DESCRIPTION	PRICE
1007	PACKING EXTRACTION KIT	\$ 59.97

## Compact Water Filter



- Flows to 6 GPM / pressure to 150 PSI
- 50 mesh filter screen, aluminum housing
- Die-cast metal housing with plastic cap
- 1/2" FPT inlet / MPT outlet
- 2 1/4" by-pass ports

PART #	DESCRIPTION	PRICE
1009	COMPACT WATER FILTER	\$ 12.69

## Clear Bowl Water Filter

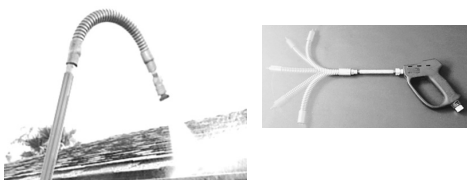


- 50 mesh filtration
- Heavy duty molded plastic
- Viewable filter media

PART #	DESCRIPTION	NET PRICE
1012	CLEAR BOWL FILTER, 1/2" In/Out	\$ 10.95
1013	CLEAR BOWL FILTER, 3/4" In/Out	\$ 10.95

## SPRAY-FLEX Lances

- Holds Shape up to 5000 PSI



PART #	DESCRIPTION	PRICE
1691	Rated to 3,000 PSI	\$ 52.69
1692	Rated to 5,000 PSI	\$ 58.19

## Premium High Volume Filter

Use on Allison Iron Horse Equipment!  
We recommend that you use this filter on all equipment over 8 GPM.

**THE INDUSTRY'S ABSOLUTE BEST FILTER**

- Extra large internal chamber
- Extra large ports for maximum flow
- Handles up to 22 GPM
- 50 mesh screen, 1" inlet/outlet

PART #	DESCRIPTION	PRICE
1015	PREMIUM HIGH VOLUME WATER FILTER	\$ 38.41



For more information about water filters look in the **TECHNICAL SECTION** of our Website at <http://www.envirospec.com>

# Allison "Super Suds Sucker" Up to 33%+ DRAW

## The Original "Super Suds Sucker" is back!

For those of you to new or young to remember...  
...a few years back we designed a chemical injector that would just about suck the bottom out of the pail. Not only that - we were able to put as much as 500' of hose on the machine and still suck as much chemical as most injectors equipped with only 50' of hose.

Here are the two primary advantages of owning a **Super Suds Sucker** and when you think about it - what else is there?

**Longevity** - This could be the last injector you will ever buy. Most of the ones we built 10 years ago are still 'sucking' strong.

**Product to Surface** - When we first came out with this product we told people then that "if you cant get the product to the surface you may as well stay at home" - the same holds true today. With a **Super Suds Sucker** you will definitely get the product to the surface.



For over 20 years...

**John Allison** operated a Mobile Wash company. During this time he recognized that all chemical injectors had one thing in common. None of them could get enough chemical on the surface. Since that time Mr. Allison has designed some of the finest injectors in the industry under the "Super Suds Sucker" logo. However, in the past the manufacturing cost was so high that it made it to difficult to bring them to market.

**But** now you can experience the precision of these high induction injectors at a much more affordable price!

Super Suds Sucker comes with additional nozzles that will handle from 2 to 10 GPM.

Complete with...

quick connects, chemical line & chemical filter.

**READY TO GO!**

What do most people say when they first try it?  
**NOW THIS SUCKS!**  
TRY A **Super Suds Sucker!** TODAY!

PART #	DESCRIPTION	PRICE
1964	ALLISON SUPER SUDS SUCKER INJECTOR	\$ 43.90

## Premium Chemical Filter *By Far The Best!*

- Solid Stainless and Brass construction
- Larger than others - allows more chemical flow
- Removable, internal "check" prevents chems from back flowing.



PART #	DESCRIPTION	PRICE
1153	CHEMICAL STRAINER, PREMIUM	\$ 2.49

## YG 5000

GPM: 11  
PSI: 5000 PSI  
TEMP: 300° F



Chlorine Version Available!

PART #	DESCRIPTION	PRICE
1220	YG5000 <b>NET PRICE</b>	\$ 24.95
1221	YG5000 Chlorine Version	\$ 32.91
1747	REPAIR KIT (CERAMIC BALL ONLY)	\$ 5.49

## ROTO MAX

0° - 15° Nozzle Rotation  
Up to 3,000 RPM  
176° Max Temp



Tighter pattern for cleaning concentrated pollutant such as 'chewing gum'

PART #	PSI	GPM	NET Price	Kit #	Price
1498	3500	2.1-2.6	\$ 39.95	1501	\$ 26.95
1499	3500	2.9-4.0	\$ 39.95	Same	--
1500	3500	4.2-6.0	\$ 39.95	Same	--

## FEATURED GUN

Permissible Rating - 4,500 PSI - 300°F



Easy Access Repair Kit Panel

PART #	DESCRIPTION	PRICE
1209	HI-TECH 501 GUN <b>NET PRICE</b>	\$ 14.95
1749	REPAIR KIT (CERAMIC BALL ONLY)	\$ 5.49

## HI-TECH 501 GUN



## ARROW LINE AL-35

**SAFETY YELLOW!**



GPM: 8  
PSI: 5000 PSI  
TEMP: 300° F

PART #	DESCRIPTION	PRICE
1695	ARROW LINE AL-35 <b>NET PRICE</b>	\$ 24.95
1747	REPAIR KIT (CERAMIC BALL ONLY)	\$ 5.49
4404	Complete Kit	\$ 14.95

**SAVE 10% ON E-MAIL/FAX ORDERS UNLESS 'NET' PRICE APPEARS**

## INDUSTRIAL HOSE REEL

The Industry's Best Hose Reel Value!  
They're Rugged!

Solid Steel Construction, Durable Powder Coat,  
Direct Hand Crank rewind, Full Flow Swivel Brass  
Joint, 5,000 PSI Rated, 3-1 Burst Factor



PART #	DESCRIPTION	NET PRICE
1313	HOLDS 50' of 3/8" 1-wire	\$ 54.95
1314	HOLDS 100' of 3/8" 1-wire	\$ 65.93
1315	HOLDS 150' of 3/8" 1-wire	\$ 76.92
1316	HOLDS 200' of 3/8" 1-wire	\$ 87.91
REPLACEMENT SWIVELS		
1008	SWIVEL, FITS #1313 & 1314	\$ 17.53
1001	SWIVEL, FITS #1315 & 1316	\$ 17.53
REPLACEMENT HANDLE		
1002	REPLACEMENT HANDLE	\$ 5.66

**MUFFLERS INCLUDED**  
**ELECTRIC START**

**WoW!**  
**\$899.95 NET**  
**18 HP VANGUARD**  
**20 AMP**

---

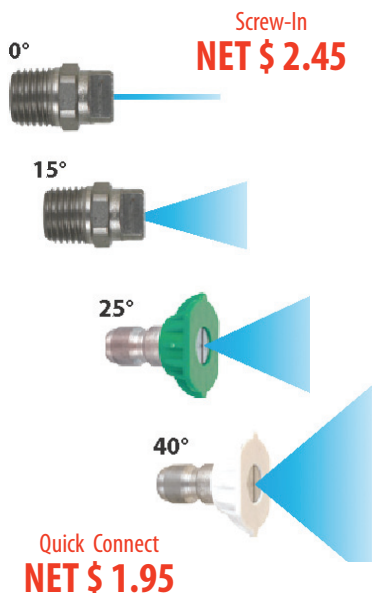
**WoW!**  
**\$899.95 NET**  
**18 HP KOHLER**  
**20 AMP**  
Avail in July



## Premium LaserJet Nozzles *Best Buy - by far!*

We have found these to be the  
'hardest hitting' most precise  
nozzle in the industry!

Stainless Steel  
Available in 1/4" Screw-In or  
Quick Connect.



PREMIUM LASERJET NOZZLES - HIGH PRESSURE, SCREW-IN				
NOZZLE SIZE	0°	15°	25°	40°
2.0	LM-0002	LM-1502	LM-2502	LM-4002
2.5	LM-0002.5	LM-1502.5	LM-2502.5	LM-4002.5
3.0	LM-0003	LM-1503	LM-2503	LM-4003
3.5	LM-0003.5	LM-1503.5	LM-2503.5	LM-4003.5
4.0	LM-0004	LM-1504	LM-2504	LM-4004
4.5	LM-0004.5	LM-1504.5	LM-2504.5	LM-4004.5
5.0	LM-0005	LM-1505	LM-2505	LM-4005
5.5	LM-0005.5	LM-1505.5	LM-2505.5	LM-4005.5
6.0	LM-0006	LM-1506	LM-2506	LM-4006
6.5	LM-0006.5	LM-1506.5	LM-2506.5	LM-4006.5
7.0	LM-0007	LM-1507	LM-2507	LM-4007
7.5	LM-0007.5	LM-1507.5	LM-2507.5	LM-4007.5
8.0	LM-0008	LM-1508	LM-2508	LM-4008
8.5	LM-0008.5	LM-1508.5	LM-2508.5	LM-4008.5
9.0	LM-0009	LM-1509	LM-2509	LM-4009
10	LM-0010	LM-1510	LM-2510	LM-4010

PREMIUM LASERJET NOZZLES - HIGH PRESSURE, QUICK CONNECT				
NOZZLE SIZE	0°	15°	25°	40°
2.0	LQ-0002	LQ-1502	LQ-2502	LQ-4002
2.5	LQ-0002.5	LQ-1502.5	LQ-2502.5	LQ-4002.5
3.0	LQ-0003	LQ-1503	LQ-2503	LQ-4003
3.5	LQ-0003.5	LQ-1503.5	LQ-2503.5	LQ-4003.5
4.0	LQ-0004	LQ-1504	LQ-2504	LQ-4004
4.5	LQ-0004.5	LQ-1504.5	LQ-2504.5	LQ-4004.5
5.0	LQ-0005	LQ-1505	LQ-2505	LQ-4005
5.5	LQ-0005.5	LQ-1505.5	LQ-2505.5	LQ-4005.5
6.0	LQ-0006	LQ-1506	LQ-2506	LQ-4006
6.5	LQ-0006.5	LQ-1506.5	LQ-2506.5	LQ-4006.5
7.0	LQ-0007	LQ-1507	LQ-2507	LQ-4007
7.5	LQ-0007.5	LQ-1507.5	LQ-2507.5	LQ-4007.5
8.0	LQ-0008	LQ-1508	LQ-2508	LQ-4008
8.5	LQ-0008.5	LQ-1508.5	LQ-2508.5	LQ-4008.5
9.0	LQ-0009	LQ-1509	LQ-2509	LQ-4009
10	LQ-0010	LQ-1510	LQ-2510	LQ-4010

**PLEASE NOTE:** If you do not order by part number EnviroSpec has the option to provide you with either 'SHUR-LOC, General Pump or Spraying Systems nozzles. This may result in a 'mix-match' of Vendors when you order multiple nozzles.

0° (Red) 15° (Yellow) 25° (Green) 40° (White)

**SAVE 10% ON E-MAIL/FAX ORDERS UNLESS 'NET' PRICE APPEARS**

Let us know if you are interested in 1 day technical seminars.

## SPECIALTY ROTATING CLEANING EQUIPMENT

Best Price Anywhere  
GUARANTEED!

**\$399.95**

#1869



## MUD-CAT Under Carriage Cleaner



Increase your bottom line for offering more services such as this.

- Includes 7500 PSI Ball Valve
- Collapses for easy storage

- Spins up to 3,000 RPM at 4,000 PSI
- Has 2 each 0° Nozzles for ripping heavy build-up and 2 each 15° Nozzles that rinse it away

## SERPENTINE Pressure Wash Hose

- Super tough cover design
- 1 ea. 3/8" MPT swivel end
- 1 ea. 3/8" MPT fixed end
- Temperature to 250°F
- Tough wrapped outer cover
- Strain reliefs on both ends



*Length Greater Than 150' Drop Ships From Manufacturer*

PART #	DESCRIPTION	ALL NET
<b>4,000 PSI - 3/8" BLACK - ONE WIRE</b>		
1708	WRAPPED HOSE, BLACK, 50', 9.5 LBS.	\$ 39.95
1709	WRAPPED HOSE, BLACK, 100', 18 LBS.	\$ 74.95
<b>4,000 PSI - 3/8" NON-MARKING - GREY - ONE WIRE</b>		
1804	WRAPPED HOSE, GREY, 50', 9.5 LBS.	\$ 49.95
1805	WRAPPED HOSE, GREY, 100', 18 LBS.	\$ 91.95

**The Industry's #1 SELLING HOSE**

**OUR 4,000 LESS THAN THEIR 3,000 AND LASTS MUCH LONGER!**

## Mosmatic Gun Lance Swivel

- Swivels at max pressure
- 4,100 PSI rated
- 10.5 GPM
- 250° F



PART #	DESCRIPTION	NET PRICE
1144	SWIVEL, INLINE, 1/4" F X 1/4" M	\$ 29.95
1145	SWIVEL, INLINE, 1/4" F X 3/8" M	\$ 29.95
1146	SWIVEL, INLINE, 3/8" F X 3/8" M	\$ 29.95

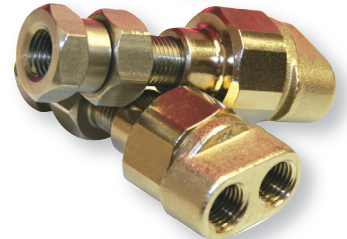
## Allison Dual Nozzle Holder - Ball Type

Now Available with Corrosion Proof Ceramic Ball

**NOT MADE IN CHINA!**

This is the best in the industry!

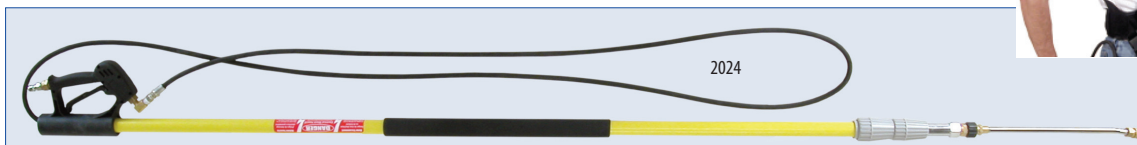
- GPM: 12 • PSI: 3,500
- Up to 190 degrees
- 1/4" inlet from lance
- 2 ea. 1/4" outlets accommodates 2 nozzles
- Rotate lance to change to soap nozzle



PART #	DESCRIPTION	PRICE
1267	Dual Nozzle Holder with Stainless Steel Ball	\$ 16.43
1268	NOZZLE HOLDER WITH 1127 Swivel	\$ 27.42
1269	Dual Nozzle Holder with Ceramic Ball	\$ 19.73
1270	NOZZLE HOLDER WITH 1127 Swivel	\$ 32.91
1745	CERAMIC BALL, ALUM OXIDE, 13/32	\$ 5.49

## Telescoping 'Long Wands'

RATED TO 4,000 PSI



PART #	DESCRIPTION	PRICE
2024	3 Section to 24' with 3/8" Hose <b>NET PRICE</b> ▶	\$ 99.95
2028	'Load Bearing' Belt / Harness	\$ 16.50

**We have been selling long wands since the first ones came out. The 'BE' Long Wand was the best 'way-back-when' and still is today.**

Master Card, VISA, AMEX, Discover ○ 1-800-346-4876 ○ Minimum Order \$50.00