

Allison

High Volume, Severe Duty Cycle **CORROSIVE CHEMICAL PUMP**

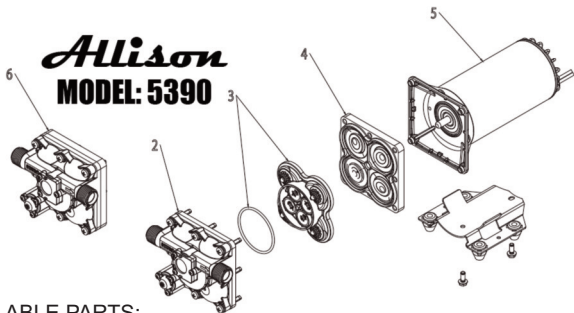
PART NUMBER: 5390

VOLTAGE: 12VDC

USE 25 AMP SLOW BLOW FUSE

DO NOT OPERATE OVER 18 AMPS

DO NOT PUMP FLAMMABLE LIQUIDS



AVAILABLE PARTS:

- 2. 5390-2 Upper Housing
- 3. 5390-3 Valve Assy
- 4. 5390-4 Drive Assy
- 6. 5390-6 Pump Head

Preferred Choice for Chlorine

www.envirospec.com

800-346-4876