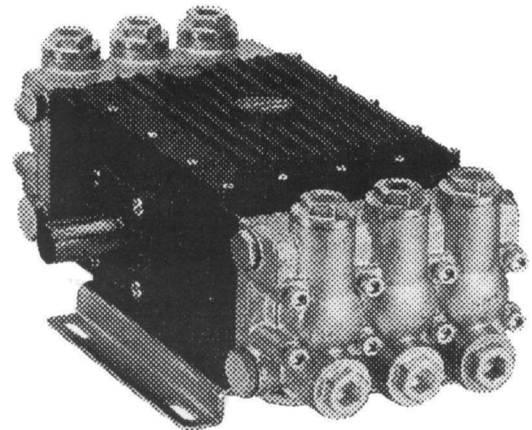


FEATURES

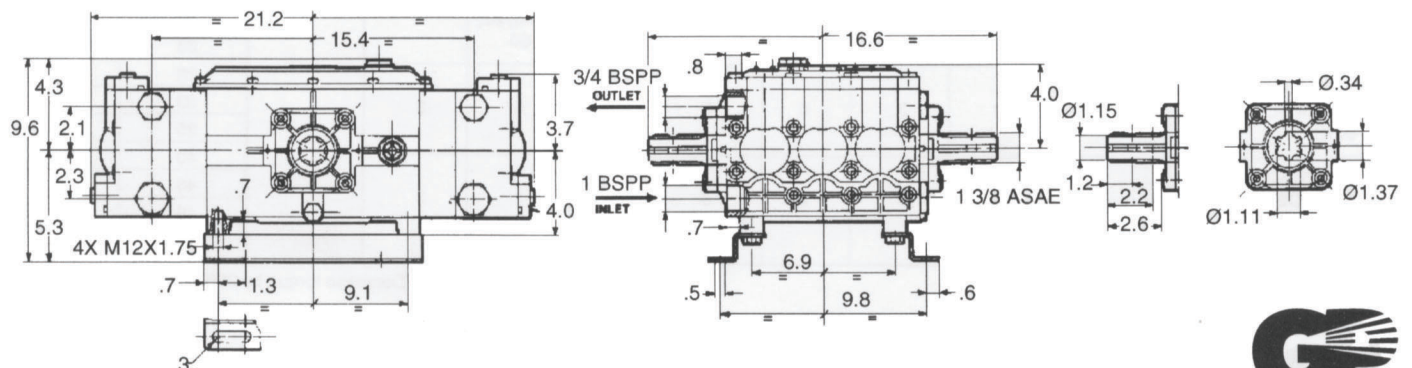
- Forged brass manifold with an exclusive lifetime warranty
- High-flow applications
- Dual manifolds utilizing a common crankcase for efficient performance
- Solid ceramic plungers with continuously lubricated packings
- Unitized stainless steel inlet and discharge valves
- Bronze connecting rods for maximum life



SPECIFICATIONS

| Pump Model | AT0177B |
|----------------------------|---------------------|
| Maximum Volume | 45.0 GPM |
| Maximum Discharge Pressure | 870 PSI |
| Maximum Pump Speed | 650 RPM |
| Maximum Inlet Pressure | 125 PSI |
| Bore | 1.771 in. / 45 mm |
| Stroke (in./mm) | 1.102 / 28 |
| Crankcase Oil Capacity | 71 oz. |
| Maximum Fluid Temperature | 165°F |
| Inlet Port Thread | 1-11 BSPP-F |
| Discharge Port Thread | 3/4-14 BSPP-F |
| Shaft Diameter | 1-3/8" ASAE splined |
| Weight | 156 lbs. |
| Dimensions | 21 x 17 x 9.5 in. |

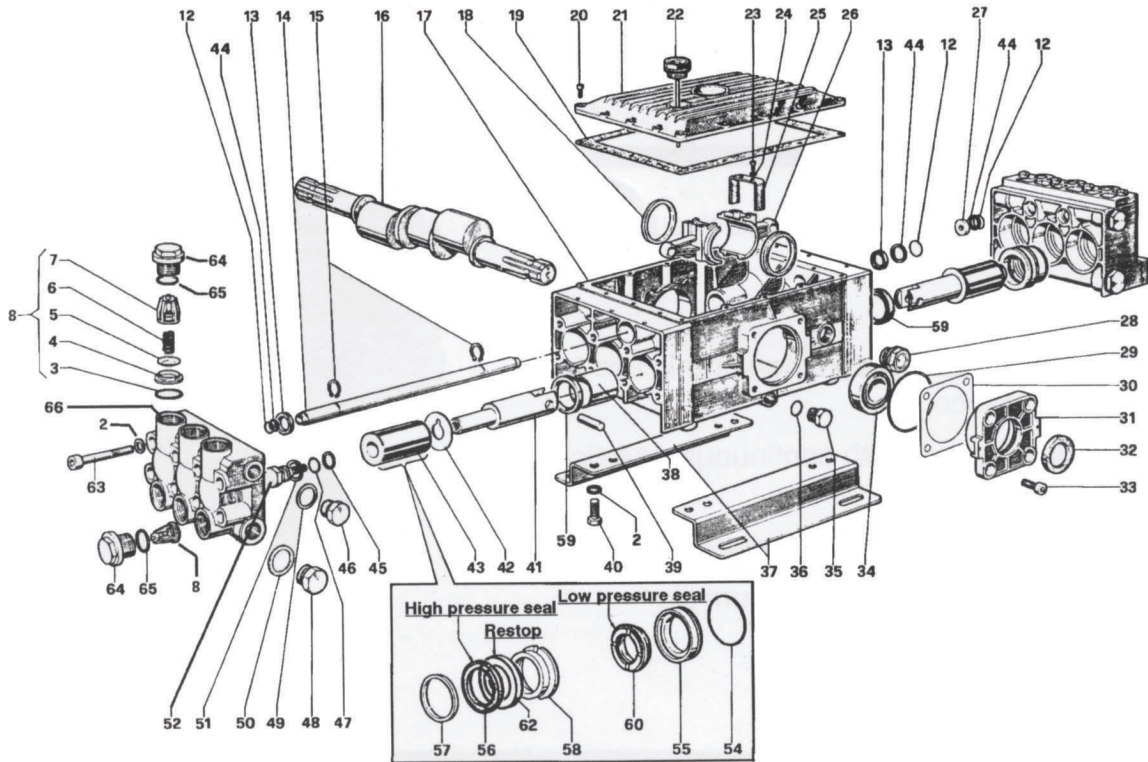
DIMENSIONAL DRAWING



AT Series 77 – Sixplex

GENERAL PUMP

A member of the Interpump Group



PARTS LIST

| ITEM | PART NO. | DESCRIPTION | KIT | QTY. | ITEM | PART NO. | DESCRIPTION | KIT | QTY. | ITEM | PART NO. | DESCRIPTION | KIT | QTY. |
|------|------------|--------------------------------|-----|------|------|------------|------------------------|-----|------|------|------------|------------------------|-----------|------|
| 2. | 96.7195.00 | Washer | 36 | | 22. | 98.2272.00 | Oil Dipstick | 1 | | 43. | 76.0402.09 | Plunger (45 mm) | 6 | |
| 3. | 90.4059.00 | O-Ring | 43 | 12 | 23. | 99.1537.00 | Screw | 12 | | 44. | 90.5090.00 | Anti-Ext. Ring | 4 | |
| 4. | 36.2011.66 | Valve Seat | 43 | 12 | 24. | 96.6910.00 | Washer | 12 | | 45. | 90.5107.00 | Anti-Ext. Ring | 74 | 6 |
| 5. | 36.2010.76 | Valve | 43 | 12 | 27. | 77.2203.70 | Cap | 2 | | 46. | 98.2265.00 | Cap Screw | 3 | |
| 6. | 94.7450.00 | Spring | 43 | 12 | 28. | 97.5968.00 | Oil Sight Guage | 1 | | 47. | 90.3841.00 | O-Ring | 74 | 6 |
| 7. | 36.2009.51 | Valve Guide | 43 | 12 | 29. | 90.4141.00 | O-Ring | 2 | | 48. | 98.2325.00 | Cap Screw | 2 | |
| 8. | 36.7065.01 | Valve Assembly | 43 | 12 | 30. | 76.2200.78 | Shim | 2 | | 49. | 96.7700.00 | Washer | 3 | |
| 12. | 90.3835.00 | O-Ring | 4 | | 31. | 76.1500.22 | Cover | 2 | | 50. | 96.7870.00 | Washer | 2 | |
| 13. | 90.1614.00 | Oil Seal | 4 | | 32. | 90.1672.00 | Oil Seal | 32 | 2 | 51. | 96.7555.00 | Washer | 74 | 6 |
| 14. | 77.2122.93 | Crossover Tube | 1 | | 33. | 99.3652.00 | Screw | 8 | | 52. | 69.2195.66 | Plunger Screw | 74 | 6 |
| 15. | 90.0605.00 | Cir-clip | 2 | | 34. | 91.8473.00 | Bearing | 2 | | 54. | 90.3903.00 | O-Ring | 47,80 | 6 |
| 16. | 76.0202.35 | Shaft 1-3/8" ASAE splined dual | 1 | | | 91.8474.00 | (as above, for AT0177) | | | 55. | 76.0802.70 | Packing Retainer | 47,80 | 6 |
| | 76.0206.35 | (as above, for AT0177) | | | 35. | 98.2100.00 | Cap Screw | 1 | | 56. | 90.2850.00 | Packing | 79,80 | 6 |
| | 76.0208.35 | Shaft 1-3/8" ASAE x 35mm solid | | | 36. | 90.3833.00 | O-Ring | 1 | | 57. | 76.1002.51 | Head Ring | 48,80 | 6 |
| | 76.0207.35 | (as above, for AT0177) | | | 37. | 76.2000.74 | Foot | 2 | | 58. | 76.2170.70 | Intermediate Ring | 80,81 | 6 |
| 17. | 77.0100.22 | Crankcase | 1 | | 38. | 90.9174.00 | Bushing | 6 | | 59. | 90.1670.00 | Oil Seal | 44 | 6 |
| 18. | 77.2121.89 | Con-Rod Ring | 6 | | 39. | 97.7400.00 | Pin | 6 | | 60. | 90.2855.00 | Seal, Low Press., 45mm | 79,80 | 6 |
| 19. | 77.2118.84 | Cover Gasket | 1 | | 40. | 99.4266.00 | Screw | 4 | | 62. | 90.2848.00 | Restop Ring | 79,80,816 | |
| 20. | 99.1867.00 | Screw | 16 | | 41. | 77.0500.22 | Plunger Guide | 6 | | 63. | 99.4418.00 | Screw | 16 | |
| 21. | 77.2114.22 | Crankcase Cover | 1 | | | 77.0501.22 | (as above, for AT0177) | | | 64. | 98.2420.00 | Cap Screw | 12 | |
| 25. | 77.2170.74 | Yoke | 6 | | 42. | 96.7568.00 | Washer | 6 | | 65. | 90.4065.00 | O-Ring | 12 | |
| 26. | 77.0300.22 | Double Con. Rod | 3 | | | | | | | 66. | 77.1200.41 | Brass Manifold | 2 | |

PARTS LIST

TORQUE SPECS*

| KIT NO. | 32 | 43 | 44 | 47 | 48 | 74 | 79 | 80 | 81 |
|--------------------------------------|----|-------------------|----|--------|----|---------------|------------|----------------------------|--------|
| ITEM NO.s INCLUDED IN KIT | 32 | 3, 4, 5, 6, 7 (8) | 59 | 54, 55 | 57 | 45, 47 51, 52 | 56, 60, 62 | 54, 55, 56, 57, 58, 62, 60 | 58, 62 |
| NUMBER OF ASSEMBLIES IN KIT | 2 | 6 | 3 | 3 | 6 | 3 | 3 | 1 | 3 |
| NUMBER OF CYLINDERS KIT WILL SERVICE | - | 3 | 3 | 3 | 3 | 3 | 3 | 1 | 3 |

| Position | Ft.-lbs. |
|----------|----------|
| 1 | 51.5 |
| 11 | 51.5 |
| 20 | 7.3 |
| 23 | 5.1 |
| 28 | 13.2 |
| 33 | 29.4 |
| 35 | 29.4 |
| 40 | 51.5 |
| 46 | 51.5 |
| 48 | 73.7 |
| 52 | 29.4 |

*Decrease torque by 20% if threads are lubricated.

