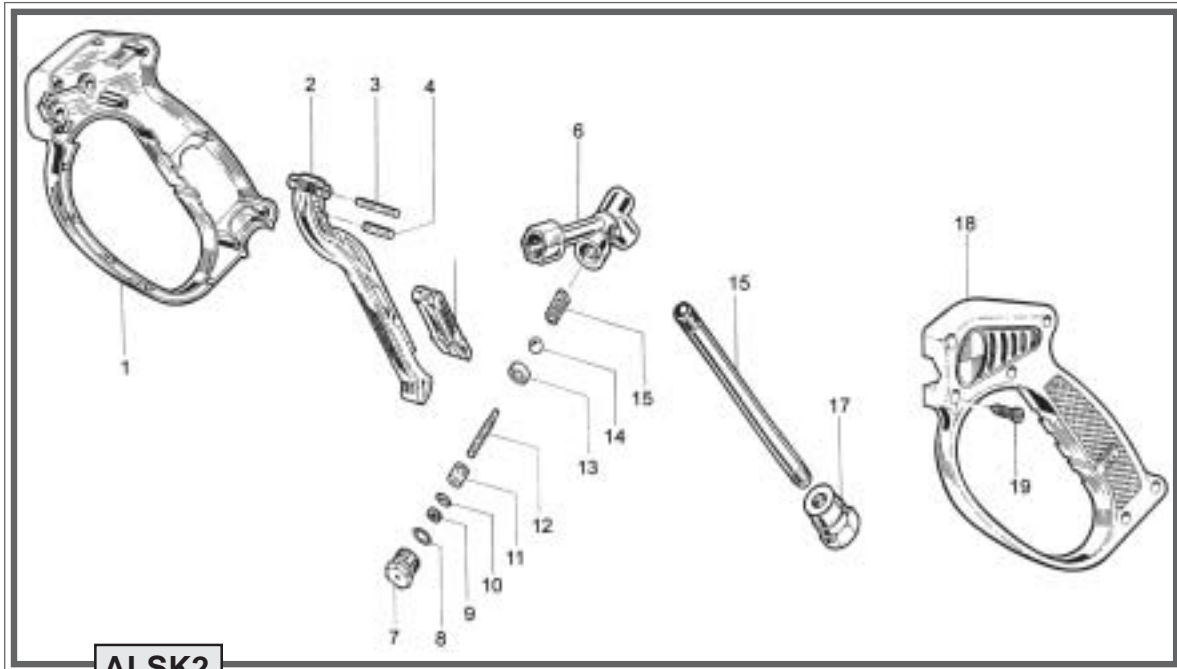


“SK2” Trigger Gun

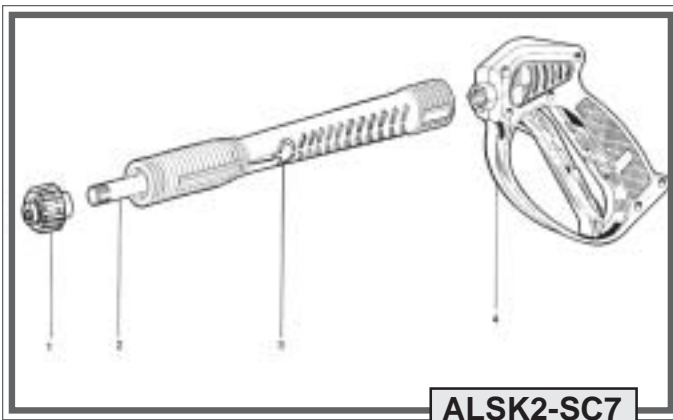


ALSK2

POS	CODE	QTY	DESCRIPTION
1	017-161110	1	Gun body (right)
2	017-090025	1	Trigger
3	001-160303	1	∅ 3 x 29,2 mm pin
4	017-160311	1	∅ 4 x 19 mm pin
5	017-090028	1	Trigger lock
6	017-020079	1	Body
7	017-170017	1	Plug
8	005-060130	1	O-ring 2043 viton
9	011-000117	1	Back-up ring
10	011-060143	1	O-ring V2 / 84 viton
11	017-010010	1	Brass plug
12	017-130012	1	Pin

POS	CODE	QTY	DESCRIPTION
13	017-460302	1	Seat
14	003-160011	1	∅ 9/32 ball
15	017-100033	1	Spring ball
16	015-471345	1	125 mm (5,1") S.S. pipe
	015-150074	1	3/8 FEM. GAS inlet
	015-150075	1	3/8 FEM. NPT inlet
	015-150076	1	1/4 MAL. GAS inlet
	015-150079	1	3/8 MAL. GAS inlet
	015-150083	1	M22 x 1,5 inlet
18	017-161112	1	Gun body (left)
19	004-190003	6	∅ 3,5 x 18 screw
	017-650021	7	Repair kit

“SK2” Trigger Gun with SC7 Handle



ALSK2-SC7

POS	CODE	QTY	DESCRIPTION
1	AL450	1	Fix quick coupling (F.Q.C.)
2	017-471346	1	364 mm (14,3") S.S. pipe
	011-471132	1	364 mm (14,3") zinc. pipe
3	017-160168	1	SC7 ext body
4	ALSK2	1	3/8 FEM. GAS SK2 trigger gun