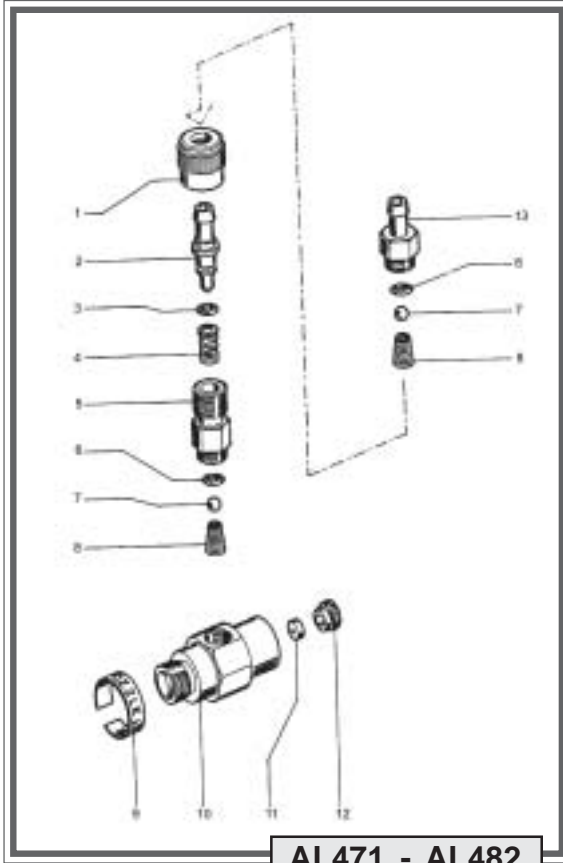


Injector Valve

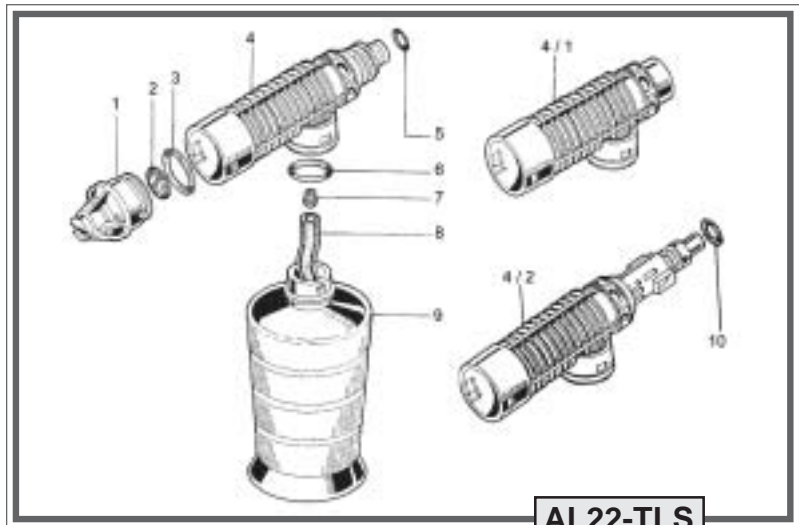


AL471 - AL482

POS	CODE	QTY	DESCRIPTION
1	102-060005	1	Adjusting ring nut
2	102-130202	1	Hose fixture with pin
3	102-060139	1	O-ring 2018 viton
4	102-100008	1	Adjusting spring
5	102-150018	1	Adjusting connection
6	102-060138	1	O-ring 2021 viton
7	102-160001	1	ø 7/32 ball
8	102-100007	1	Ball spring
9	102-050004	1	ø 1,8 nozzle tape
10	102-050005	1	ø 2,0 nozzle tape
11	102-050006	1	ø 2,2 nozzle tape
12	102-020049	1	3/8 MAL.-MAL. GAS body
13	102-020050	1	3/8 MAL.-FEM. GAS body
	102-020019	1	3/8 FEM. GAS - 1/2 MAL. GAS body
	102-180025	1	ø 1,8 nozzle
	102-180026	1	ø 2,0 nozzle
	102-180027	1	ø 2,2 nozzle
	102-060012	1	Stop ring nut
	102-130203	1	Hose fixture
	102-650601	4	Repair kit

Foamer

POS	CODE	QTY	DESCRIPTION
1	112-180081	1	Nozzle
2	112-150500	1	Metal net
3	112-060147	1	O-ring 3093 70SH
4	112-020060	1	TR206 MAL. body
4 / 1	112-300600	1	1/4 FEM. GAS body
4 / 2	112-020069	1	Body
5	012-060146	1	O-ring 8 x 2 70SH
6	104-060142	1	O-ring 3071 70SH
7	112-180082	1	Flow calib. nozzle
8	112-000015	1	Hose
9	112-160900	1	Bottle
10	106-060118	1	O-ring 109 70SH



AL22-TLS