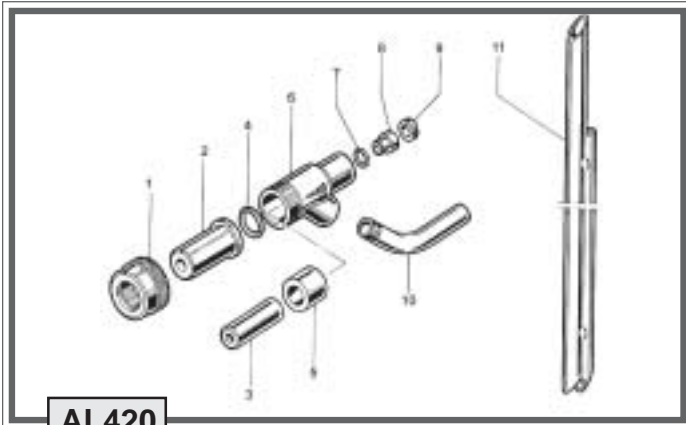


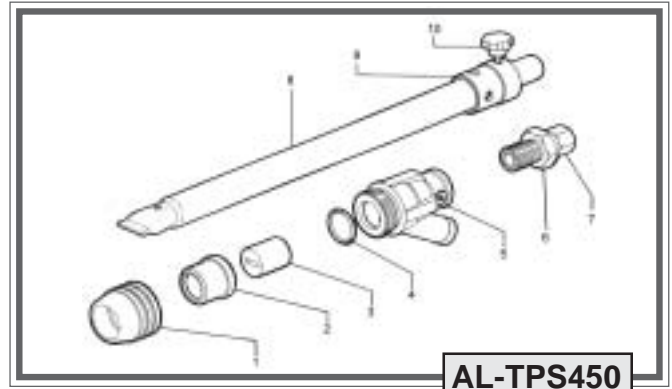
## Professional Sandblasting Heads



**AL420**

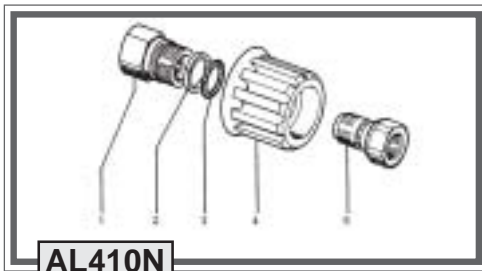
POS	CODE	QTY	DESCRIPTION
1	105-060003	1	Ring nut
2	105-170301	1	Nozzle holder head
3	105-180005	1	Sandblasting nozzle
4	105-060110	1	O-ring 117 70SH
5	105-180006	1	Sandblasting nozzle
6	105-020005	1	Body
7	105-060111	1	O-ring 106 70SH
8	105-180009	1	ø 1,2 nozzle
9	105-180001	1	ø 1,3 nozzle
10	105-180037	1	ø 1,4 nozzle
11	105-180000	1	ø 1,5 nozzle
12	105-180038	1	ø 1,6 nozzle
13	105-060004	1	Stop ring nut
14	105-130200	1	Hose fixture
15	105-470500	1	Sand suction pipe

POS	CODE	QTY	DESCRIPTION
1	117-060030	1	Ring nut
2	117-170317	1	Nozzle holder head
3	117-180087	1	Nozzle
4	117-060161	1	O-ring 132 70SH
5	117-020078	1	Body
6	117-030209	1	M10 x 1,5 S.S. nut
7	117-150089	1	Inlet nozzle holder fitting
8	117-161200	1	Adjustable probe
9	117-030016	1	Air spreader
10	117-130601	1	Screw knob M6 x 12
11	117-650419	2	Repair kit



**AL-TPS450**

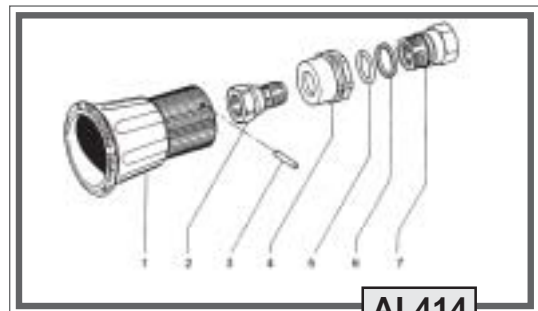
## Adjustable Nozzle Holder Head



**AL410N**

POS	CODE	QTY	DESCRIPTION
1	100-150000	1	1/4 FEM. GAS nipple
2	100-000116	1	Back-up ring
3	100-060125	1	O-ring 2062 viton
4	100-360002	1	Ring nut
5	100-030005	1	1/4 FEM. NPT diffuser
6	100-030006	1	1/8 FEM. NPT diffuser

POS	CODE	QTY	DESCRIPTION
1	100-100110	1	Knob
2	100-030005	1	1/4 FEM. NPT diffuser
3	100-030006	1	1/8 FEM. NPT diffuser
4	100-160304	1	ø 3 x 16 mm pin
5	100-080019	1	Insert ring nut
6	100-060125	1	O-ring 2062 viton
7	100-000116	1	Back-up ring
8	100-150000	1	Nipple



**AL414**