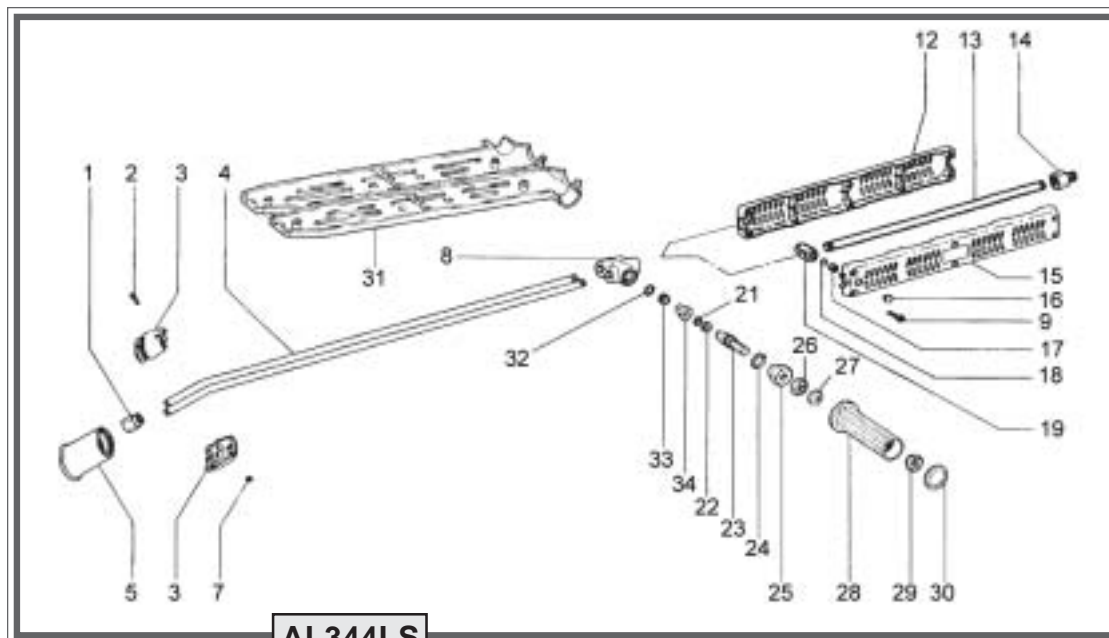


“Safety” Dual Lance with Seat



AL344LS

POS	CODE	QTY	DESCRIPTION
↑	AL1414	2	1/4 FEM. GAS - 1/4 FEM. NPT nipple
	AL1814	2	1/4 FEM. GAS - 1/8 FEM. NPT nipple
2	004-190102	2	M4 x 20 screw
3	004-100400	1	1/4 GAS Clamp
4	004-471333	2	1/4 GAS 585 mm (23") S.S. pipe
5	004-130102	1	Nozzle protector
7	004-030205	2	M4 nut
8	004-020045	1	1/4 body
9	004-190003	7	∅ 3,5 x 18 screw
10	004-160134	1	Upper plastic protector
11	004-380013	1	SF12 300 mm (11,8") melted grip
12	004-160179	1	SC5 body frame
13	004-471332	1	380 mm (15") S.S. pipe
14	004-450100	1	1/4 MAL. GAS adaptor reducer
15	004-160180	1	SC5 body frame
16	004-130105	1	Plastic plug
17	004-060302	1	Screw
18	004-150109	1	∅ 8,3 x 1,5 copper

POS	CODE	QTY	DESCRIPTION
19	004-080014	1	Brass frame
20	004-160135	1	Lower plastic protector
21	004-060113	1	O-ring 2031 viton
22	004-000103	1	Back-up ring
23	004-160512	1	Stem
24	004-060112	1	O-ring 3056 70SH
25	004-150012	1	Stem union
26	004-030201	1	M10 nut
27	103-150202	1	∅ 10,5 x 21 x 2 washer
28	004-100109	1	Handle
29	004-080016	1	Fitting for handle
30	004-170009	1	Handle hit
31	004-160171	1	1/4 GAS body protection pipe
32	102-060117	1	O-ring 108 viton
33	004-160212	1	Seat
34	004-030300	1	Spacer
	004-650300	3	Repair kit