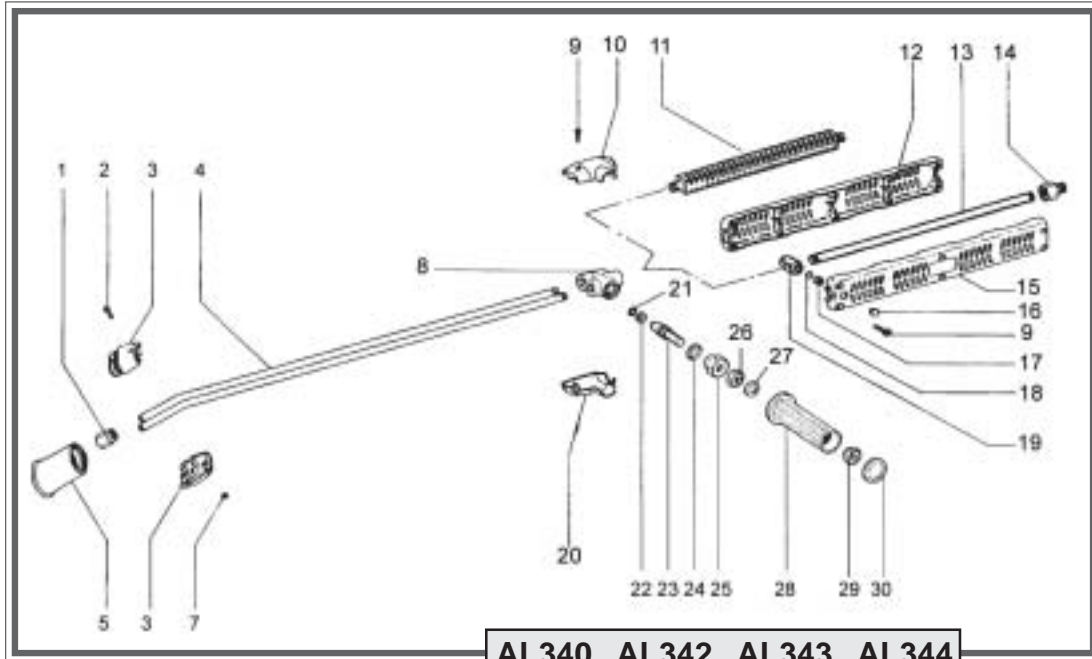


## “Safety” Dual Lance



**AL340, AL342, AL343, AL344**

POS	CODE	QTY	DESCRIPTION
1	004-400602	2	1/8 FEM. GAS - 1/4 FEM. NPT nipple
	004-400603	2	1/8 FEM. GAS - 1/8 FEM. NPT nipple
2	004-190102	2	M4 x 20 screw
3	004-100400	1	1/8 GAS Clamp
4	004-471116	2	1/8 GAS 585 mm (23") zinc. pipe
	004-471311	2	1/8 GAS 585 mm (23") S.S. pipe
5	004-130102	1	Nozzle protector
7	004-030205	2	M4 nut
8	004-020036	1	118 body
	004-020045	1	1/4 x 1/4 body (AL343, AL344)
9	004-190003	7	ø 3,5 x 18 screw
10	004-160148	1	Upper plastic protector
11	004-380013	1	SF12 300 mm (11,8") melted grip
12	004-160130	1	SC5 body frame
13	004-471118	1	380 mm (15") zinc. pipe
14	004-450100	1	1/4 MAL. GAS adaptor reducer
15	004-160129	1	SC5 body frame

POS	CODE	QTY	DESCRIPTION
16	004-130105	1	Plastic plug
17	004-060302	1	Screw
18	004-150109	1	ø 8,3 x 1,5 copper
19	004-080014	1	Brass frame
20	004-160149	1	Lower plastic protector
21	004-060113	1	O-ring 2031 viton
22	004-000103	1	Back-up ring
23	004-160512	1	Stem
24	004-060112	1	O-ring 3056 70SH
25	004-150012	1	Stem union
26	004-030201	1	M10 nut
27	103-150202	1	ø 10,5 x 21 x 2 washer
28	004-100109	1	Handle
29	004-080016	1	Fitting for handle
30	004-170009	1	Handle hit
	<b>004-650300</b>	<b>3</b>	<b>Repair kit</b>