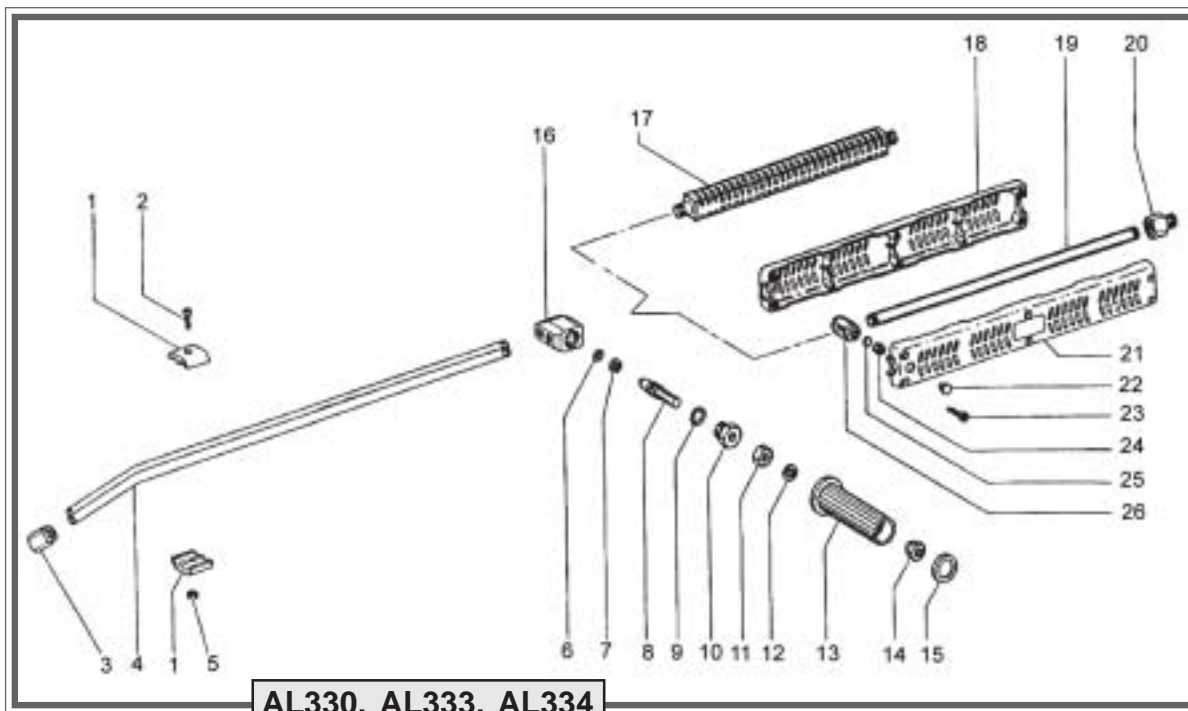


## “Horizontal” Dual Lance



**AL330, AL333, AL334**

POS	CODE	QTY	DESCRIPTION
1	004-050001	2	Clamp
2	004-190101	1	M4 screw
3	AL1814	2	1/8 FEM. GAS - 1/4 FEM. NPT nipple (330, 333)
	AL1818	2	1/8 FEM. GAS - 1/8 FEM. NPT nipple (334)
4	004-471116	2	1/8 GAS 585 mm (23") zinc. pipe (333, 334)
	004-471311	2	1/8 GAS 585 mm (23") S.S. pipe (330)
5	004-030205	1	M4 nut
6	004-060113	1	O-ring 2031 viton
7	004-000103	1	Back-up ring
8	004-160503	1	Stem
9	004-060112	1	O-ring 3056 70SH
10	004-150012	1	Stem union
11	004-030201	1	M10 nut
12	103-150202	1	ø 10,5 x 21 x 2 washer
13	004-100109	1	Handle

POS	CODE	QTY	DESCRIPTION
14	004-080016	1	Fitting for handle
15	004-170009	1	Handle plug
16	004-020006	1	I15 body
17	AL352	1	SF12 300 mm (11,8") melted grip
18	004-160130	1	SC5 body frame
19	004-471118	1	380 mm (15") zinc. pipe
20	004-450100	1	1/4 MAL. GAS adaptor reducer
21	004-160129	1	SC5 body frame
22	004-130105	1	Plastic plug
23	004-190003	6	ø 3,5 x 18 screw
24	004-060302	1	Screw
25	004-150109	1	ø 8,3 x 1,5 copper
26	004-080014	1	Brass frame
	<b>004-650300</b>	<b>3</b>	<b>Repair kit</b>