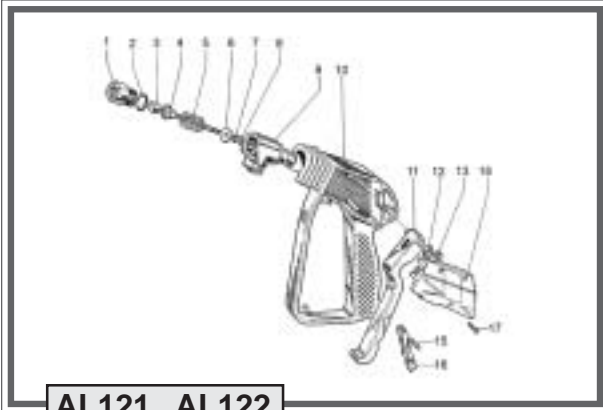


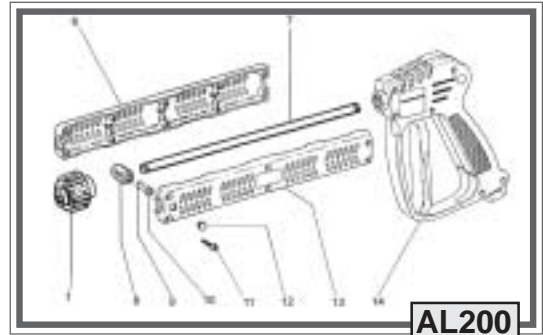
Trigger Gun



AL121, AL122

| POS | CODE | QTY | DESCRIPTION |
|-----|-------------------|----------|--------------------------|
| 1 | 002-150003 | 1 | Seat holder nipple |
| 2 | 100-060100 | 1 | O-ring 2062 70SH |
| 3 | 002-460300 | 1 | Seat |
| 4 | 002-650411 | 1 | Preassy head |
| 5 | 002-100001 | 1 | Spring |
| 6 | 002-150100 | 1 | ø 4 x 13 x 1 flat washer |
| 7 | 002-060103 | 1 | O-ring AD 36 70SH |
| 8 | 001-000100 | 1 | Back-up ring |
| | 002-020033 | 1 | 1/4 MAL. GAS body |
| | 002-020002 | 1 | 3/8 FEM. GAS body |
| | 002-020001 | 1 | 1/4 FEM. GAS body |
| 10 | 006-160115 | 1 | Gun body |
| 11 | 002-090004 | 1 | Trigger |
| 12 | 002-150200 | 1 | ø 4 x 12 x 1 flat washer |
| 13 | 002-030100 | 1 | M4 self locking nut |
| 14 | 006-020101 | 1 | Cover |
| 15 | 002-160304 | 1 | ø 3 x 16 mm pin |
| 16 | 002-090018 | 1 | Locking lever |
| 17 | 002-190000 | 3 | ø 2,9 x 16 screw |
| | 002-650001 | 7 | Repair kit |

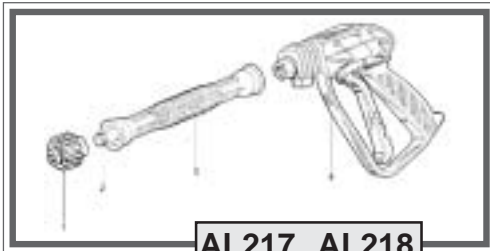
14" Covered Air Flow Handle



AL200

| POS | CODE | QTY | DESCRIPTION |
|-----|------------|-----|------------------------------|
| 1 | AL450 | 1 | Fix quick coupling (F.Q.C.) |
| 6 | 004-160130 | 1 | SC5 body frame |
| 7 | 004-471118 | 1 | 380 mm (14,7") zinc. pipe |
| 8 | 004-080014 | 1 | Brass frame |
| 9 | 004-150109 | 1 | ø 8,3 x 1,5 washer |
| 10 | 004-060302 | 1 | Screw |
| 11 | 004-190003 | 6 | ø 3,5 x 18 cross head screw |
| 12 | 004-130105 | 1 | Protector |
| 13 | 004-160129 | 1 | SC5 body frame |
| 14 | AL112 | 1 | 3/8 FEM. GAS AL5 trigger gun |

Trigger Gun with SF9 Handle

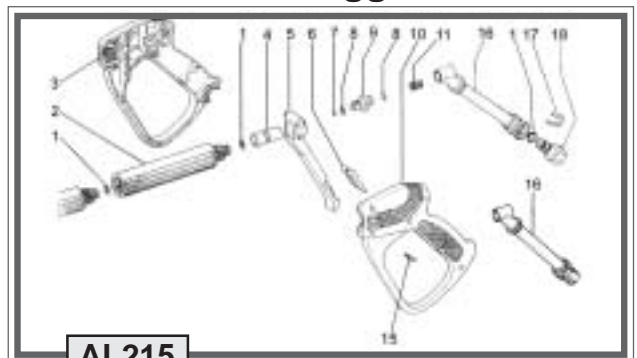


AL217, AL218

| POS | CODE | QTY | DESCRIPTION |
|-----|------------|-----|-----------------------------------|
| 1 | AL450 | 1 | Fix quick coupling (F.Q.C.) |
| 2 | 004-471141 | 1 | 260 mm (10,2") zinc. pipe |
| 3 | 004-160105 | 1 | SF9 cover protection |
| | AL122 | 1 | 3/8 FEM. GAS TKD trigger gun |
| | AL121 | 1 | 1/4 MAL. GAS TOP LINE trigger gun |

| POS | CODE | QTY | DESCRIPTION |
|-----|------------|-----|-------------------------------|
| 1 | 012-060146 | 3 | O-ring |
| 2 | 004-160151 | 2 | SF15 extension |
| 3 | 012-161108 | 1 | Gun body (right) |
| 4 | 012-020501 | 1 | Front connection body |
| 5 | 012-090013 | 1 | Trigger |
| 6 | 012-090014 | 1 | Trigger lock |
| 7 | 014-060151 | 1 | O-ring 2,9 x 1,78 90SH |
| 8 | 012-060153 | 2 | O-ring 7,66 x 1,78 90SH |
| 9 | 012-120008 | 1 | Shutter |
| 10 | 012-161109 | 1 | Gun body (left) |
| 11 | 012-100023 | 1 | Shutter spring |
| 15 | 004-190003 | 6 | ø 3,5 x 18 screw |
| 16 | 014-020802 | 1 | Gun inlet pipe connection |
| 16 | 014-020801 | 1 | M22 gun inlet pipe connection |
| 17 | 014-050202 | 1 | Clamp |
| | 014-080028 | 1 | 1/4 MAL. GAS insert |
| | 014-080029 | 1 | 1/4 FEM. GAS insert |
| | 014-080030 | 1 | 3/8 FEM. NPT Insert |

"AL215" Trigger Gun



AL215