

75 Frame "R" Series Reciprocating Process Pumps

**Carbon Steel
Models**

75R065

**316SS
Models**

76R065

**Duplex SS
Models**

77R065

FEATURES

- Crankcase design with a special built-in support mounting for installing the motor overhead to keep both the foot print and weight to a minimum (up to 225 IEC Frame, 364T/404T NEMA Frame 60 HP).
- Standard 316SS liquid-end construction with optional Duplex Stainless Steel or Carbon Steel providing compatibility and affordability.
- Special pressure-formed, braided, PTFE impregnated Kevlar® packings offer exceptionally long life and a wide range of liquid compatibility.
- Plungers are special surface treated for abrasion resistance offering the highest quality sealing surface for extended packing life.
- SG (Spheroidal Graphite) iron crankcase offers exceptional strength, vibration dampening and flame and spark resistance for added protection in hazardous areas.
- All models are ISO 9000 certified and offer API 674 conformance.
- Packings housed in Packing Cylinder to assure proper alignment and optimum life.
- Standard splash crankcase lubrication with optional pressure lubrication system.

SPECIFICATIONS

	U.S. Measure	Metric Measure
STANDARD		
Flow.....	.90 GPM	(340 l/m)
System Pressure*.....	1500 PSI	(105 bar)
Maximum RPM.....	450 RPM	(450 min ⁻¹)
ALTERNATE		
Flow.....	100 GPM	(380 l/m)
System Pressure*.....	1000 PSI	(70 bar)
Maximum RPM.....	500 RPM	(500 min ⁻¹)
API		
Flow.....	.80 GPM	(305 l/m)
System Pressure*.....	1500 PSI	(105 bar)
Maximum RPM.....	400 RPM	(400 min ⁻¹)

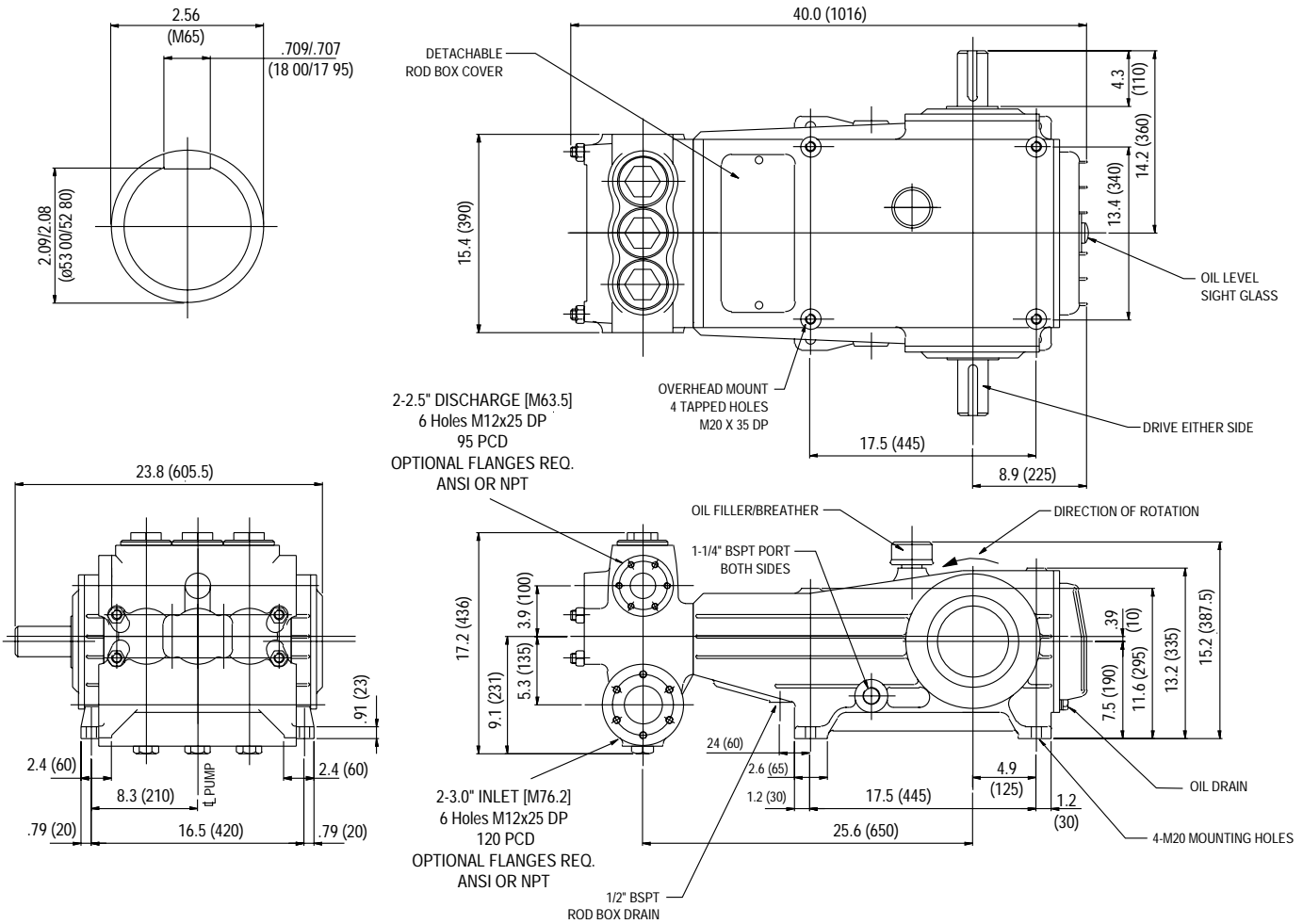
* Relief pressure should be set at maximum 10% over system pressure.

COMMON SPECIFICATIONS

Inlet Pressure	Flooded to 50 PSI	(Flooded to 3.5 bar)
Minimum RPM.....	.60 RPM	(60 min ⁻¹)
Bore.....	2.56"	(65 mm)
Maximum HP.....	100 HP	(75 kW)
Stroke.....	3.15"	(80 mm)
Crankcase Capacity.....	14.79 Qts	(14 l)
Maximum Temperature.....	120°F	(50°C)
Inlet Ports (2).....	3.0"	(76.2 mm)
Discharge Ports (2).....	2.5"	(63.5 mm)
Shaft Diameter	2.56"	(65 mm)
Shaft Length	3.937	(100 mm)
Weight948 Lbs	(430 kg)
Dimensions.....	40.0 x 23.8 x 15.2"	(1016 x 605.5 x 387.5 mm)

"Customer confidence is our greatest asset"

Models 75R065, 76R065, 77R065



Products described hereon are covered by one or more of the following U.S. patents 3558244, 3652188, 3809508, 3920356, 3930756 and 5035580

Jan 2001 1191

World Headquarters

CAT PUMPS

1681 - 94th Lane N.E. Minneapolis, MN 55449-4324

Phone (763) 780-5440 — FAX (763) 780-2958

e-mail: sales@catpumps.com

www.catpumps.com

International Inquiries

FAX (763) 785-4329

e-mail: intlsales@catpumps.com



"The World's Most Dependable Pumps"

CAT PUMPS (U.K.) LTD.

1 Fleet Business Park, Sandy Lane, Church Crookham, Fleet

Hampshire GU52 8BF, England

Phone Fleet 44 1252-622031 — Fax 44 1252-626655

email: sales@catpumps.co.uk

N.V. CAT PUMPS INTERNATIONAL S.A.

Heiveldekens 6A, 2550 Kontich, Belgium

Phone 32-3-450.71.50 — Fax 32-3-450.71.51

e-mail: cpi@catpumps.be www.catpumps.be

CAT PUMPS DEUTSCHLAND GmbH

Buchwiese 2, D-65510 Idstein, Germany

Phone 49 6126-9303 0 — Fax 49 6126-9303 33

e-mail: catpumps@t-online.de www.catpumps.de