

15 Frame Plunger Pump

Standard Brass Model

1530

Stainless Steel Model

1531

FEATURES

Superior Design

- Triplex plunger design gives smoother liquid flow.
- V-Packings are completely lubricated and cooled by the liquid being pumped.
- Inlet and discharge valve assemblies interchange for easier maintenance.
- Lubricated Lo-Pressure Seals provide double protection against external leakage.
- Oil bath crankcase assures optimum lubrication.
- Close tolerance concentricity of the ceramic plunger maximizes seal life.

Quality Materials

- All stainless steel valves are heat treated and seats are roller burnished for a positive seal and extended valve life.
- Forged Brass or Stainless Steel manifolds are strong and corrosion resistance.
- Special concentric, high density, polished, graphite impregnated, solid ceramic plungers are abrasion resistant and result in extended seal life.
- Specially formulated, CAT PUMP exclusive, V-Packings offer unmatched performance and seal life.
- Die cast aluminum crankcase provides high strength, minimum weight and precision tolerance control.
- Chrome-moly crankshaft gives unmatched strength and surface hardness.
- Oversized crankshaft bearings with greater loading capacity mean longer bearing life.

Easy Maintenance

- Wet-end is easily serviced without entering crankcase, requiring less time and effort.
- Preset packings mean no packing gland adjustment is necessary, reducing maintenance costs.

⚠ WARNING

All systems require both a primary pressure regulating device (i.e., regulator, unloader) and a secondary pressure safety relief device (i.e., pop-off valve, safety valve). Failure to install such relief devices could result in personal injury or damage to the pump or to system components. CAT PUMPS does not assume any liability or responsibility for the operation of a customer's high pressure system.

SPECIFICATIONS

	U.S. Measure	Metric Measure
Flow	15.6 GPM	(59 L/M)
Pressure Range.....	100 to 1500 PSI	(7 to 105 BAR)
RPM	1450 RPM	(1450 RPM)
Inlet Pressure Range.....	Flooded to 70 PSI	(Flooded to 4.9 BAR)
Bore.....	0.984"	(25 mm)
Stroke.....	1.181"	(30 mm)
Crankcase Capacity	42 oz.	(1.26 L)
Maximum Liquid Temperature	140°F	(60°C)
Above 130°F call CAT PUMPS for inlet conditions and elastomer recommendations.		
Inlet Ports (2)	1" NPTF	(1" NPTF)
Discharge Ports (2).....	3/4" NPTF	(3/4" NPTF)
Pulley Mounting	Either Side	(Either Side)
Shaft Diameter	1.181"	(30 mm)
Weight (1530)55 lbs.	(25 kg)
(1531)53 lbs.	(24 kg)
Dimensions.....	17.24 x 13.0 x 7.4" (438 x 330 x 188 mm)	

HORSEPOWER REQUIREMENTS

FLOW		PRESSURE			RPM
		PSI 1000	PSI 1200	PSI 1500	
U.S. GPM	L/M	BAR 70	BAR 85	BAR 105	
15.6	59	10.7	12.8	16.0	1450
14.0	53	9.6	11.5	14.4	1301
12.0	45	8.2	9.9	12.4	1115

DETERMINING THE PUMP R.P.M. $\frac{\text{Rated G.P.M.}}{\text{Rated R.P.M.}}$ = $\frac{\text{"Desired" G.P.M.}}{\text{"Desired" R.P.M.}}$

DETERMINING THE REQUIRED H.P. $\frac{\text{GPM} \times \text{PSI}}{1460}$ = Electric Brake H. P. Required

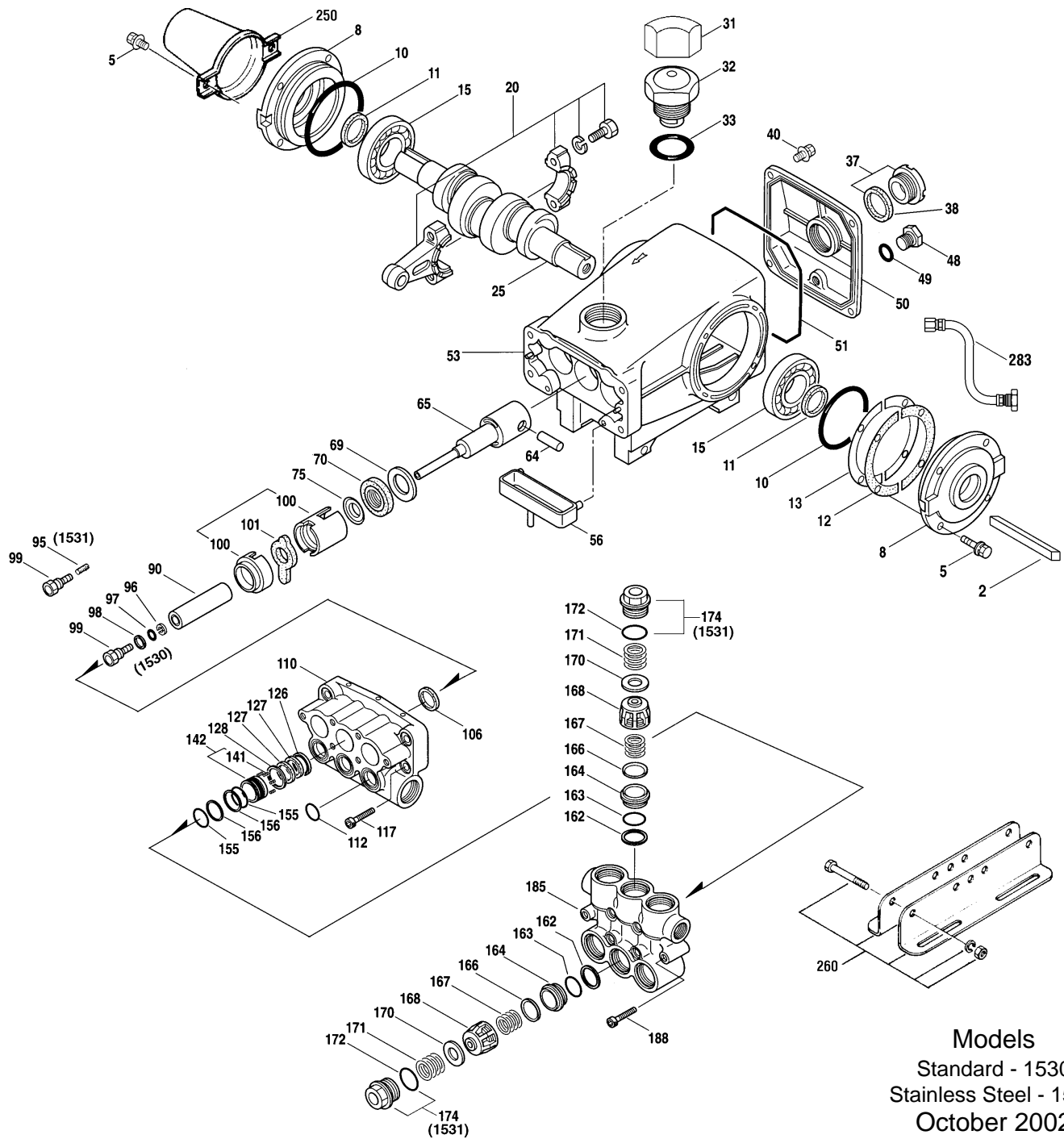
DETERMINING MOTOR PULLEY SIZE $\frac{\text{Motor Pulley O.D.}}{\text{Pump R.P.M.}}$ = $\frac{\text{Pump Pulley O.D.}}{\text{Motor R.P.M.}}$

See complete Drive Packages [Incls: Pulleys, Belts, Hubs, Key] Tech Bulletin 003.
Refer to pump Service Manual for repair procedure and additional technical information.

"Customer confidence is our greatest asset"

PARTS LIST

ITEM	PART NUMBER		MATL		DESCRIPTION	QTY
	1530	MATL	1531	MATL		
● 2	990036	STL	990036	STL	Key (M8x7x40)	1 ●
5	92519	STZP	92538	S	Screw, Sems HHC (M6x16)	8
8	43496	AL	43496	AL	Cover, Bearing	2
10	11340	NBR	11340	NBR	O-Ring, Bearing Cover - 70D	2
11	43495	NBR	43495	NBR	Seal, Oil, Crankshaft - 70D	2
12	43520	FBR	43520	FBR	Shim, Split 2 pc	0-6
13	45387	S	45387	S	Shim, Split 2 pc	0-4
15	39060	STL	39060	STL	Bearing, Roller	2
20	48600	TNM	48600	TNM	Rod, Connecting Assembly	3
25	43494	FCM	43494	FCM	Crankshaft, Dual-End	1
31	828710		828710		Protector, Oil Cap	1
32	43211	ABS	43211	ABS	Cap, Oil Filler	1
33	14177	NBR	14177	NBR	O-Ring, Filler Cap - 70D	1
37	92241		92241		Gauge, Oil, Bubble w/Gasket - 80D	1
38	44428	NBR	44428	NBR	Gasket, Flat, Oil Gauge - 80D	1
40	92520	STZP	92542	S	Screw, Sems HHC (M6x20)	4
48	25625	STCP	25625	STCP	Plug, Drain (1/4"x19BSP)	1
49	23170	NBR	23170	NBR	O-Ring, Drain Plug - 70D	1
50	43491	AL	43491	AL	Cover, Rear	1
51	44834	NBR	44834	NBR	O-Ring, Rear Cover - 70D	1
● 53	115471	AL	115471	AL	Crankcase	1 ●
56	44664	POP	44664	POP	Pan, Oil	1
64	43507	CM	43507	CM	Pin, Crosshead	3
65	48228	SHS	48360	SSHS	Rod, Plunger	3
69	43504	STZP	43504	STZP	Washer, Oil Seal	3
70	43500	NBR	43500	NBR	Seal, Oil Crankcase - 80D	3
75	43506	S	43506	S	Slinger, Barrier	3
90	48606	CC	48606	CC	Plunger, Ceramic (M25x92)	3
96	43235	PTFE	43235	PTFE	Back-up-Ring, Plunger Retainer	3
95	—		89651	SS	Stud, Plunger Retainer (M6x70)	1
97	17399	NBR	17399	NBR	O-Ring, Plunger Retainer - 80D	3
	14160	FPM	14160	FPM	O-Ring, Plunger Retainer - 80D	3
98	45891	CU	44041	SS	Gasket, Plunger Retainer	3
99	104360	S	44031	SS	Retainer, Plunger	3
100	43509	POP	43509	POP	Retainer, Seal, Rear	3
	48605	POP	48605	POP	Retainer, Seal Adapter, Front	3
101	48716		48716		Wick, Long Tab	3
106	44086	NBR	44086	NBR	Seal, LPS w/SS-Spg	3
	45846	FPM	45846	FPM	Seal, LPS w/SS-Spg	3
● 110	48608	FBB	48683	SS	Manifold, Inlet	1 ●
112	14200	NBR	14200	NBR	O-Ring, Inlet Manifold - 70D	3
	11719	FPM	11719	FPM	O-Ring, Inlet Manifold - 70D	3
117	87933	STZP	87952	S	Screw (M10x55)	4
126	48538	BB	48669	SS	Adapter, Female	3
127	44610	STG*	44610	STG*	V-Packing	6
128	48539	BB	113025	SS	Adapter, Male	3
141	48541	S	48672	SS	Spring, Coil	18
142	48550	BB	48670	SS	Spacer w/Coil Springs	3
155	17629	NBR	17629	NBR	O-Ring, Spacer - 80D	6
	14183	FPM	14183	FPM	O-Ring, Spacer - 70D	6
156	28243	PTFE	28243	PTFE	Back-up-Ring, Spacer	6
162	48363	D	48363	D	Back-up-Ring, Seat	6
163	26142	NBR	26142	NBR	O-Ring, Seat	6
	14330	FPM	14330	FPM	O-Ring, Seat	6
164	48596	S	48688	SSL	Seat	6
166	48594	S	48686	SSL	Valve	6
167	48595	S	48687	SS	Spring, Valve	6
168	44735	PVDF	44735	PVDF	Retainer, Spring	6
170	44794	SS	44794	SS	Washer, Spring Retainer	6
171	48546	SS	48689	SS	Spring, Coil	6
172	17629	NBR	17629	NBR	O-Ring, Valve Plug - 80D	6
	14183	FPM	14183	FPM	O-Ring, Valve Plug - 70D	6
174	48597	FBB	811451	SS	Plug, Valve w/O-Ring	6
● 185	48610	FBB	48685	SS	Manifold, Discharge	1 ●
188	89980	STCP	89981	S	Screw (M12x70)	6
250	30764	NY	30764	NY	Protector, Shaft	1
260	30613	STZP	30613	STZP	Rail, Angle Assy (Incls: 30635,30903,30912,30921)	1
● 269	30206	F	30206	F	Pulley (10") [See Drive Packages, Tech Bulletin 003]	1 ●
● 270	30059	STL	30059	STL	Hub, "H", M30 (Keyway M8) [See Drive Packages, Tech Bulletin 003]	1 ●
● 283	34334		34334		Kit, Oil Drain	1 ●

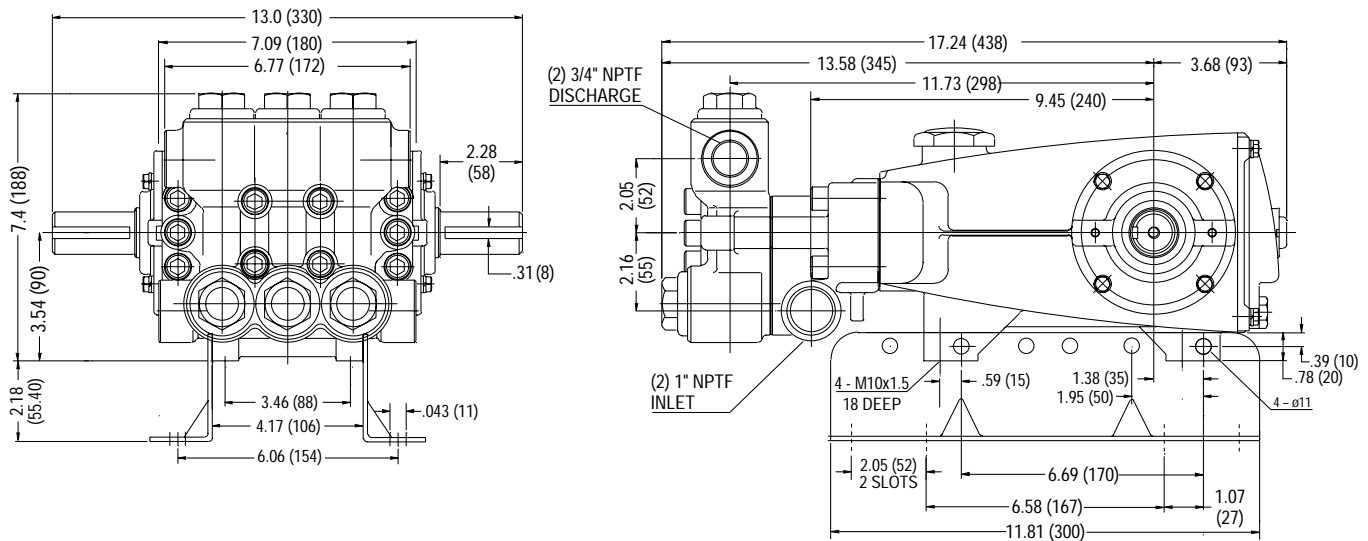


Models
 Standard - 1530
 Stainless Steel - 1531
 October 2002

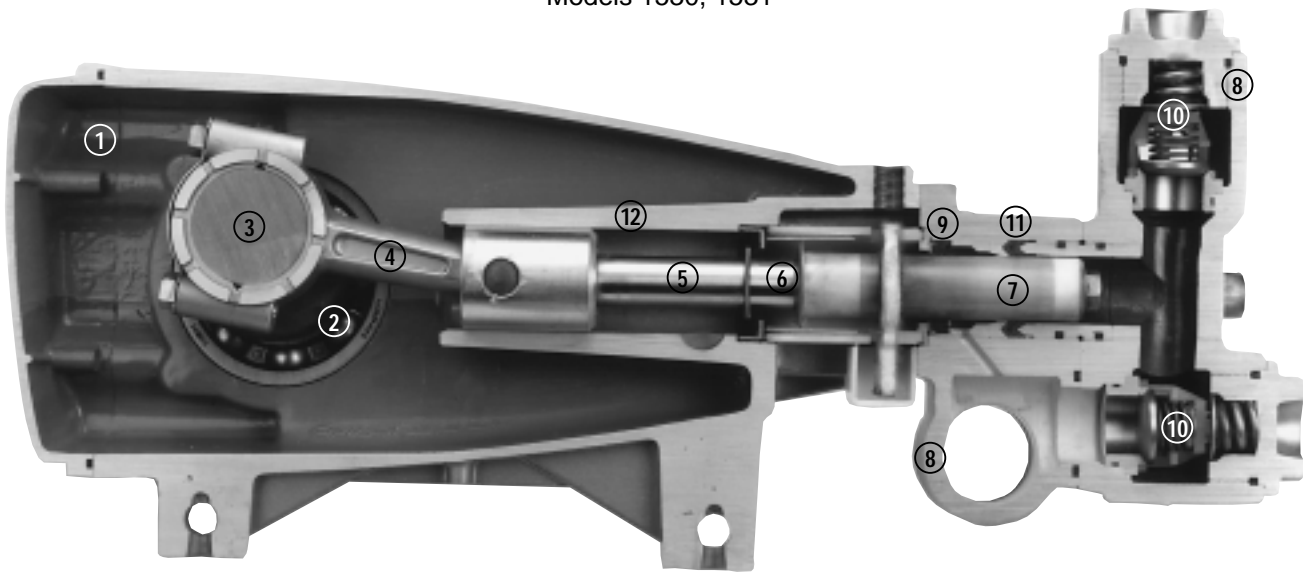
	1530	MATL	1531	MATL		
●	290	6104	6104		Sealant, Hylomar (1 oz.)	1 ●
●	299	816762	FBB	816783	Head, Complete	1 ●
	300	31355	NBR	31355	Kit, Seal (Incls: 97,106,112,127,155,156)	1
		31455	FPM*	31455	Kit, Seal (Incls: 97,106,112,127,155,156)	1
	310	31360	NBR	31271	Kit, Valve (Incls: 162,163,164,166,167,168,170,172)	2
		31460	FPM	31281	Kit, Valve (Incls: 162,163,164,166,167,168,170,172)	2
●	—	714500	SS	714500	C.A.T. (For R.O. or Industrial Applications)	1 ●
●	—	714506	SS	714506	Adapter (2 per C.A.T.) (See Data Sheet for complete selection)	2 ●
—	—	6100	6100		Oil, Case (12 Bottles) ISO 68 Multi-viscosity Hydraulic (Fill to specified crankcase capacity prior to start-up)	1

● Industrial discount. **Bold print part numbers are unique to a particular pump model.** *Italics are optional items.*
 *Review material codes for individual items (STG generally may be used as alternate).
C.A.T. highly recommended for pressurized inlet, R.O. and Industrial applications.

See Tech Bulletins 002, 003, 024, 035, 036, 043, 053, 074, 077, 083 and 085 for additional information.
 MATERIAL CODES (Not Part of Part Number): ABS=ABS Plastic AL=Aluminum BB=Brass CC=Ceramic CM=Chrome-moly CU=Copper D=Delrin® F=Cast Iron
 FBB=Forged Brass FBR=Fiber FCM=Forged Chrome-moly FPM=Fluorocarbon (Viton®) NBR=Medium Nitrile (Buna-N) NY=Nylon POP=Polypropylene
 PTFE=Pure Teflon® PVDF=Fluoroplastic (High Strength) S=304SS SHS=304SS/High Strength SS=316SS SSHS= 316SS/High Strength SSL=316SS/Low Carbon
 STCP=Steel/Chrome Plated STG=Special Blend (Teflon®) White STL=Steel STZP=Steel/Zinc Plated TNM=Special High Strength



Models 1530, 1531



- 1 Die cast aluminum **crankcase** means high strength, light weight, and excellent tolerance control.
- 2 Oversized crankshaft **bearings** provide extended bearing life and pump performance.
- 3 Chrome-moly **crankshaft** provides unmatched strength and surface hardness for long life.
- 4 Matched oversized high strength **connecting rods** are noted for superior strength and bearing quality.
- 5 Special stainless steel **plunger rods** with high strength crossheads for longevity and corrosion resistance.
- 6 The stainless steel **slinger** provides back-up protection for the crankcase seal, keeping pumped liquids out of the crankcase.
- 7 Special concentric, high density, polished, graphite impregnated, solid ceramic **plungers** are abrasion resistant and result in extended seal life.
- 8 **Manifolds** are a high strength forged brass or stainless steel for long-term, continuous duty.
- 9 100% **wet seal** design adds to service life by allowing pumped liquids to cool and lubricate on both sides of seals.
- 10 Stainless steel **valves, seats and springs** provide corrosion-resistance, positive seating and long life.
- 11 Specially formulated, CAT PUMP exclusive, **V-Packings** offer unmatched performance and seal life.
- 12 **Crossheads** are 360° supported for uncompromising alignment.

Products described hereon are covered by one or more of the following U.S. patents 3558244, 3652188, 3809508, 3920356, 3930756 and 5035580

World Headquarters
CAT PUMPS
 1681 - 94th Lane N.E. Minneapolis, MN 55449-4324
 Phone (763) 780-5440 — FAX (763) 780-2958
 e-mail: techsupport@catpumps.com
 www.catpumps.com



CAT PUMPS (U.K.) LTD.
 1 Fleet Business Park, Sandy Lane, Church Crookham, Fleet
 Hampshire GU52 8BF, England
 Phone Fleet 44 1252-622031 — Fax 44 1252-626655
 e-mail: sales@catpumps.co.uk
N.V. CAT PUMPS INTERNATIONAL S.A.
 Heiveldekens 6A, 2550 Kontich, Belgium
 Phone 32-3-450.71.50 — Fax 32-3-450.71.51
 e-mail: cpi@catpumps.be www.catpumps.be
CAT PUMPS DEUTSCHLAND GmbH
 Buchwiese 2, D-65510 Idstein, Germany
 Phone 49 6126-9303 0 — Fax 49 6126-9303 33
 e-mail: catpumps@t-online.de www.catpumps.de

International Inquiries
 FAX (763) 785-4329
 e-mail: intlsales@catpumps.com