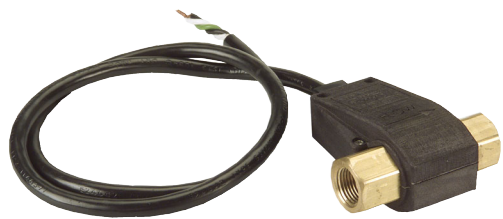


TMT FLOW SWITCH

Tri-Magnet Technology Inline Flow Switch



SPECIFICATIONS

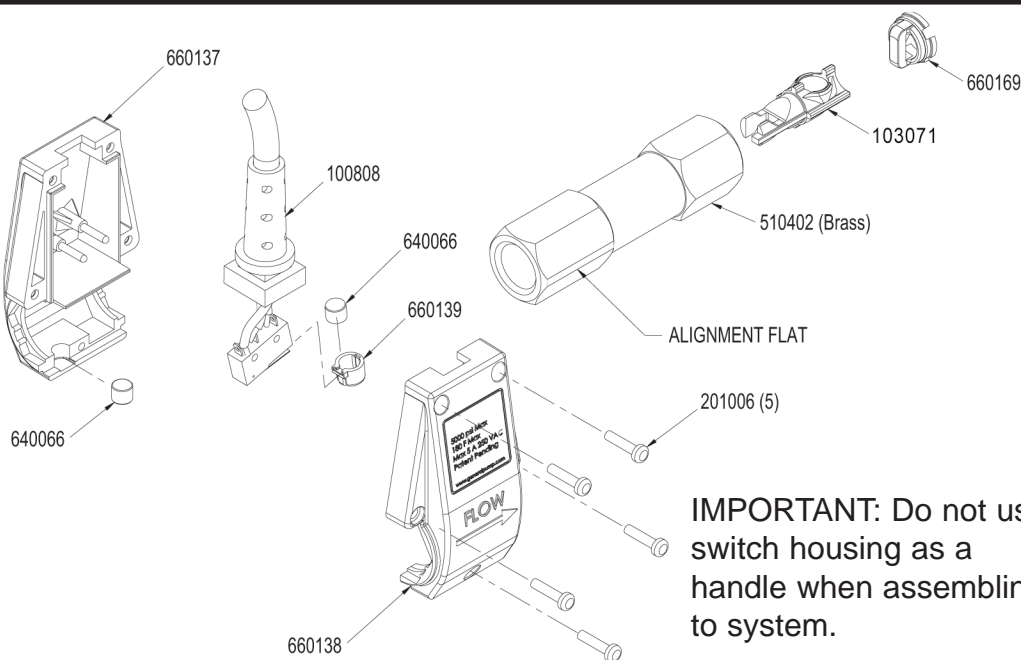
Part Number	100934	
Maximum Operating Pressure	5000 PSI	
Minimum Flow Required for Activation	1.5 GPM @ 50 PSI	
Maximum Operating Flow	12.0 GPM	
Operating Temperature Range	40 - 180 °F	
Electrical Lead Length	48" - 18AWG	
Switch Ratings	Max Switching Voltage	250 VAC
	Max Switching Current	5 AMPS
	Resistance with Leads	30 OHM
	Electrical Service Life	200,000 Cycles
	Mechanical Service Life	10,000,000 Cycles
Ports	Inlet	3/8" x 18 NPT-F
	Outlet	3/8" x 18 NPT-F
Dimensions	3.3" x 1.4" x 2.9"	
Weight	1.0 LBS	
Materials	Brass, Plastic, Nickel-plated Neodymium	

FEATURES

- Micro-switch technology eliminates reed switch
- Activates with 1.5 gpm flow
- Minimal pressure drop up to 12 gpm flow
- Can be mounted in any position

EXPLODED VIEW

NOTE: When using this flow switch in a system containing a positive displacement pump, General Pump recommends the use of a safety relief device(s), correctly placed to protect all areas of the system.



IMPORTANT: Do not use switch housing as a handle when assembling to system.

DIMENSIONS AND WIRING SCHEMATIC

