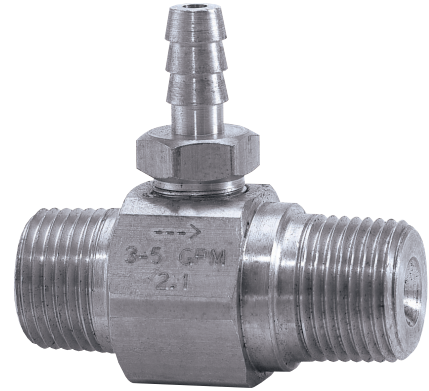


# Hi-Draw Injector

**FEATURES** *Hi-Draw Downstream Chemical Injector - Stainless Steel*

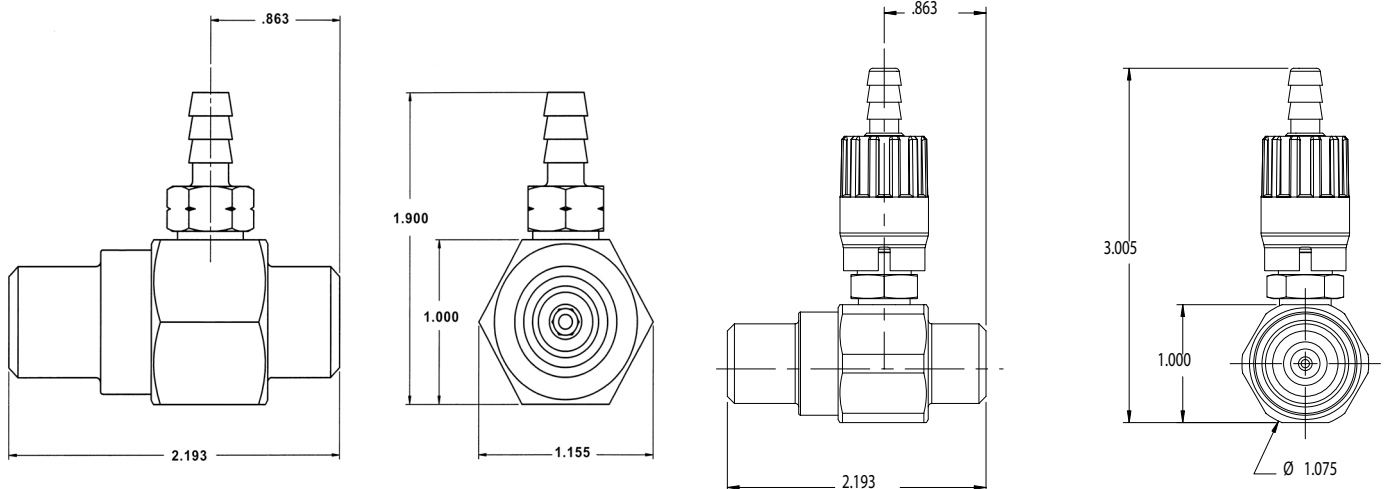
- Up to a 20% injection draw rate\*
- Available with both fixed and adjustable barbs
- Made in the USA
- A cost effective solution to your chemical application needs



\*Draw rates can be affected by factors such as pressure, flow rate, length of discharge hose, and chemical viscosity.

SPECIFICATIONS						
<b>Model</b>	<b>100873</b>	<b>100874</b>	<b>100875</b>	<b>100861</b>	<b>100862</b>	<b>100863</b>
<b>Style</b>	Fixed			Adjustable		
<b>Operating Pressure</b>	5500 PSI			5500 PSI		
<b>Flow Range</b>	2 - 3 GPM	3 - 5 GPM	5 - 8 GPM	2 - 3 GPM	3 - 5 GPM	5 - 8 GPM
<b>Maximum Temperature</b>	190° F					
<b>Port Sizes</b>	Inlet: 3/8" NPT-M Discharge: 3/8" NPT-M Chemical Port: 1/4" Hose Barb			Inlet: 3/8" NPT-M Discharge: 3/8" NPT-M Chemical Port: 1/4" Hose Barb		
<b>Dimensions</b>	2.2 x 1.15 x 1.9			2.2 x 1.07 x 3.0		
<b>Weight</b>	.2 lb.			.2 lb.		
<b>Materials</b>	Stainless Steel, Viton			Stainless Steel, Viton		

**DIMENSIONS (INCHES)**



# Hi-Draw Injector

**GENERAL PUMP** A member of the Interpump Group

## INSTALLATION

This product is to be used with clean, fresh water. For different or corrosive liquids, contact GP Technical Service Department. With not clean liquids, appropriate filtration should be installed. Select the injector based on the nominal operating rating: system rated pressure, max flow and max temperature. Install valve with direction arrow pointing downstream. For proper operation a control device such as a dual lance wand, quick couple nozzles, or an adjustable nozzle holder must be used to lower the system pressure at the nozzle.

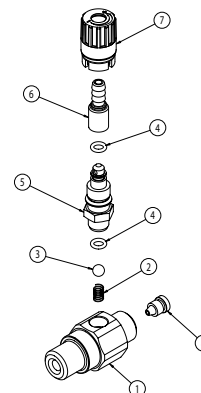
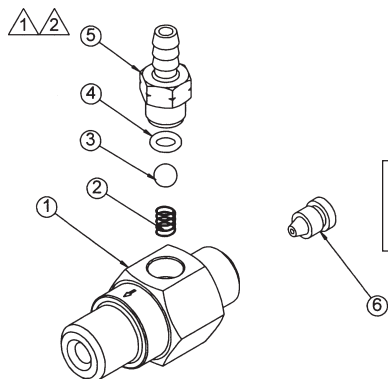
Under no circumstances should the pressure of the system exceed the maximum rated pressure of any component.

## TROUBLESHOOTING

Problem	Cause	Solution
Chemical Injector will not draw chemical	Incorrect nozzle	Check and change nozzle
	System is not in low pressure mode	Change or adjust nozzle to put system in low pressure mode
	Discharge hose is too long	Reduce length of discharge hose or change injector*
Rate of draw seems too slow	Chemical line is clogged	Clear chemical line of obstruction
	Discharge hose is too long	Reduce length of discharge hose or change injector*
	Air leak in chemical line Chemical is too viscous	Locate and repair leak Reduce chemical with water to decrease its viscosity
Chemical injector is leaking from hose barb	Obstruction in hose barb checkvalve	Disassemble and remove obstruction
	Damaged o-ring in checkvalve	Remove and replace o-ring
Excessive pressure load on pump, motor or engine	Clogged injector	Clear injector orifice of obstruction
	Improperly sized injector orifice	Change orifice*

\*Contact GP Technical Service for Assistance

## PARTS LIST



Item	Part Number	Description	Qty
Kit *	100803	Repair Kit	1
Kit †	100804	Acid Kit (Optional)	1
1	510340	Housing, Injector, SS	1
2 *†	720049	Spring	1
3 *	520167	Ball, Injector, 316 SS	1
†	640065	Ball, Injector, Ceramic (optional)	1
4 *†	701501	O-ring, 70 duro, Viton, .208x .070	1
5	520181	Hose Barb, SS	1
6	520116	Nozzle, .070", 303 SS (100873)	1
	520066	Nozzle, .083", 303 SS (100874)	1
	520127	Nozzle, .091", 303 SS (100875)	1

Item	Part Number	Description	Qty
Kit *	100816	Repair Kit	1
Kit †	100817	Acid Kit (Optional)	1
1	520180	Housing, Injector, SS	1
2 *†	720049	Spring	1
3 *	520167	Ball, Injector, 316 SS	1
†	640065	Ball, Injector, Ceramic (optional)	1
4 *†	701501	O-ring, 70 duro, Viton, .208x .070	2
5	520178	Post, Adj. Hi-Draw, SS	1
6	520177	Hose Barb, SS	1
7	660166	Knob, Adj. Hose Barb	1
8	520116	Nozzle, .070", 303SS (100861)	1
	520066	Nozzle, .083", 303 SS (100862)	1
	520065	Nozzle, .091", 303 SS (100863)	1

**GENERAL PUMP** 1174 Northland Drive • Mendota Heights, MN 55120

Phone: (651)454-6500 • Fax: (651)454-4524 • e-mail: sales@gpcompanies.com • www.generalpump.com

300536 Rev. A  
08-04

