

Inline Hi-Press. Filter

Quick Disconnect

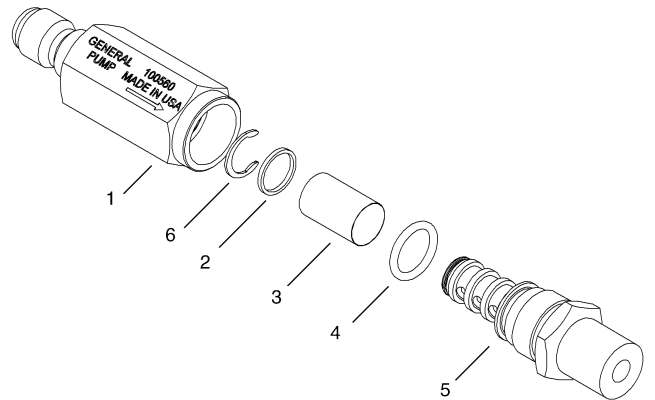


SPECIFICATIONS

Part Number:	100560
Maximum Volume:	8.0 GPM
Maximum Pressure	5500 PSI
Maximum Temperature	200° F
Port Sizes: Inlet	1/4" QD Plug
Outlet	1/4" NPT-M
Dimensions	3.0" x .875"
Weight	.25 lb.
Materials	Brass, Stainless Steel, Buna-N

PARTS LIST

No.	Part Num.	Description	Kit	Qty.
1.	520118	Housing, Nozzle Filter, 1/4 QD, SS		1
2.	510304	Retainer, Filter		1
3.	700015	Screen, 100 Mesh, T304SS	*	1
4.	701013	O-Ring, 70 Duro, Buna-N, .426 ID x .070 CS	*	1
5.	510253	Outlet Fitting, Nozzle Filter, 1/4 NPT-M		1
6.	202034	Retainer, External, SS	*	1
*	100670	REPAIR KIT		



Inline Hi-Press. Filters

Male/Male and Female/Male



100622

SPECIFICATIONS

Part Number:	1/4" Male/Male	100622
	1/4" Female/Male	100647
Maximum Volume:	8.0 GPM	
Maximum Pressure	5000 PSI	
Maximum Temperature	200° F	
Port Sizes:	Inlet	100622
		100647
	Outlet	1/4" NPT-M
		1/4" NPT-F
		1/4" NPT-M
Dimensions	2.75" x .875"	
Weight	.25 lb.	
Materials	Brass, Stainless Steel, Buna-N,	

PARTS LIST

No.	Part Num.	Description	Kit	Qty.
1a.	510286	Housing, Nozzle Filter, 1/4 NPT-M		1
1b.	510292	Housing, Nozzle Filter, 1/4 NPT-F		
2.	510304	Retainer, Filter	*	1
3.	700015	Screen, 100 Mesh, T304SS	*	1
4.	701013	O-Ring, 70 Duro, Buna-N, .426 ID x .070 CS	*	1
5.	510253	Outlet Fitting, Nozzle Filter, 1/4 NPT-M		1
6.	202034	Retainer, External, SS		1
* 100670 REPAIR KIT				

