

SOFT-TOUCH UNLOADER

VB-10

Feels like a
FLOW
ACTUATED
but easy to
adjust like a
PRESSURE
ACTUATED

\$78.98

5%

VB-10 UNLOADER
8 GPM - 4,000 PSI - 195° F
#1599-010



REMEMBER!

WHEN YOU SEE THE

5%

this means that you will save an additional 5% if you e-Mail or Fax your order.

Our #1 SELLING GUN Since 1998

5%



\$19.29

HI-TECH 804

8 GPM - 4000 PSI - 300° F
#2299-804

#CERAMIC932
Repair Kit (Ceramic Ball Only)

BELOW COST \$9.95 While Supply Last!

Thumb Wheel for High to Low PSI Adjusting



~~**\$22.95**~~

HI-TECH 2006

8 GPM - 4000 PSI - 320° F
#HT2006

#CERAMIC932
Repair Kit (Ceramic Ball Only)



5%

Super Easy Pull!

\$47.95

HI-TECH 4100

13 GPM - 4100 PSI - 320° F
#2210-041

#CERAMIC1332
Repair Kit (Ceramic Ball Only)



5%

Super Easy Pull!

\$49.95

HI-TECH 5700

8 GPM - 5700 PSI - 320° F
#2210-055

#CERAMIC1132
Repair Kit (Ceramic Ball Only)

2.1-3.0 GPM #1510-070
3.1-4.2 GPM #1510-071
4.3-6.6 GPM #1510-072
6.7-11 GPM #1510-073



K-7 UNLOADER

5%

Sale Price \$77.00

Reg Price \$147.95

GREEN SPRING 2140 UNLOADER

Reg Price \$208.95

Sale Price

\$79.95

P/N 1510-128G



AL-607 UNLOADER

Reg Price \$86.95

Sale Price

\$39.95

P/N 1599-101

UNLOADER MOUNTING BLOCK

5%

Reg Price \$29.95

Sale Price

\$13.41



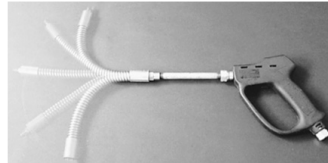
#1499-990 3/8 x 3/8
#1499-991 3/8 x 1/2
#1499-992 1/2 x 1/2

SPRAY FLEX WAND - GUTTER CLEANING TOOL

"Bend it, Twist it, Turn it"

- Holds shape up to 5,000 PSI
- 200°F • 90° flexibility • 12" length
- Works with any wand and tip

5%

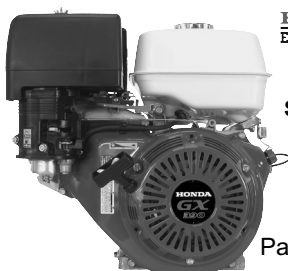


Part #	PSI	Price
#A0513	3,000	\$44.95
#A0514	5,000	\$49.95



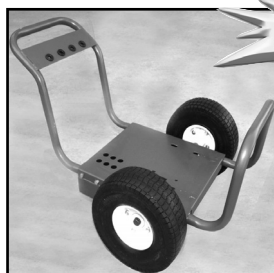
Are you going to take advantage of our poor math?

13 HP Honda..... + Industrial Cart = The Industry's



HONDA ENGINES
with
Low Oil Shutdown

Part Number
H13C1



NEW

Best Buy!

That's Right!

A \$926.00 VALUE
for the
Low, Low Price
of...

\$796.87 + \$129.95 = \$649.95

"QC" NOZZLE

Reg Price \$12.95

Sale Price

\$2.78

5%



Sizes 3.0 thru 6.5
Use 'LQ-????'

LASERJET

1/4" MEG NOZZLE

Reg Price \$12.95

Sale Price

\$2.78

5%



Sizes 3.0 thru 6.5
Use 'LM-????'

LASERJET

See our FULL-LINE CATALOG at <http://www.envirospec.com>

GENERAL PUMP TS-2021

5.6 GPM
3,500 PSI
1450 RPM
AS LOW AS
\$399.95

Sale Priced at...
\$421.00
less your 5%
e-Mail/Fax Order
= \$399.95

Industry's #1 Selling Pump



5%

CAUTION: There are two companies that we know of that are selling a TS-2021B that is not a genuine TS-2021 and does not carry the General Pump Warranty.

COMPLETE HEAD REBUILD FOR TS-2021 AND OTHER GENERAL PUMPS VALUE KIT #4 INCLUDES ALL CHECK VALVES & PACKINGS



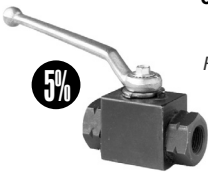
- 6 Standard Check Valves
- 3 Complete Sets Packings
- 3 Sets of Packing Brass

\$119.95

(packings and brass are pre-assembled)

It is recommended that you rebuild the pump head every 250-350 hours and **NO** you don't have to pay a distributor to do it. It is so easy!

PART #	DESCRIPTION
VK04-1	Fits these General Pumps: TS-2021, TS2011, T9131, T1011, T9161, T1511, T9211, T2031, TS1021, TS1011, TS1331, TS1511, TS1711, TS821



3/8" - 7500 PSI
BALL VALVE

Reg Price \$74.95

Sale Price
\$17.95

P/N 2923-104

J. E. ADAMS SWIVELS

\$16.95

5%

PART #	DESCRIPTION
3-7470	1/4" Stainless, 5100 PSI
4-7044	3/8" Stainless, 5100 PSI

Serpentine - the Industry's Best & Longest Lasting High Pressure Hose

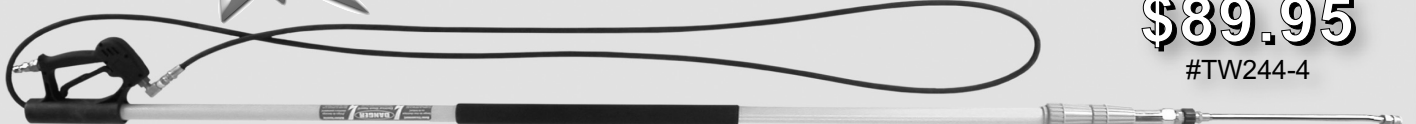


Black, 3,000 PSI, 50'	P/N B308-050	\$39.50
Black, 3,000 PSI, 100'	P/N B308-100	\$75.50
Grey, 3,000 PSI, 50'	P/N G308-050	\$42.95
Grey, 3,000 PSI, 100'	P/N G308-100	\$82.95
Black, 4,000 PSI, 50'	P/N B408-050	\$41.25
Black, 4,000 PSI, 100'	P/N B408-100	\$84.95
Grey, 4,000 PSI, 50'	P/N G408-050	\$44.50
Grey, 4,000 PSI, 100'	P/N G408-100	\$84.50
Black, 4,500 PSI, 50'	P/N B458-050	\$55.83
Black, 4,500 PSI, 100'	P/N B458-100	\$99.95
Grey, 4,500 PSI, 50'	P/N G458-050	\$65.35
Grey, 4,500 PSI, 100'	P/N G458-100	\$119.95

5%



4-Section Telescoping Wand



\$89.95

#TW244-4

Become a PREMIER CUSTOMER today and Save even more!

DUAL LANCES

NEW 'DELUXIFIED' READY-TO-GO LANCES

'105'
\$49.95

'106'
\$64.95



'RTG'
\$53.95

ZINC-PLATED STEEL
GENERAL/INTERPUMP BRAND

• 1/4" MPT inlet - 1/8" discharge pipes - 284°F

5%

PART #	LENGTH	GPM	PSI
2310-105	36"	10.5	3,000
2310-105RTG (Shown)	Above Lance with 'quick connects' installed for pressure & soap nozzle		
2310-106	72"	10.5	3,000

Premium Series Stainless

FOR HIGHLY CORROSIVE ENVIRONMENTS

27"
\$39.95



5%

42"
\$42.95

• 300°F
• 1/4" MPT inlet
• 1/4" outlets draws more chemical

PART #	LENGTH	GPM	PSI
2399-111	11"	10.5	4,100
2399-127	27"	10.5	4,100
2399-137	37"	10.5	4,100
2399-101	42"	10.5	4,100

37"
\$39.95



\$29.95

5%

• "111" attach Gun for "close quarter" work such as car lots

ZINC LANCE

WITH DIVERTER TRIGGER

- Nozzle Protector
- Pull the Trigger to Draw Soap
- Release the Trigger for High Pressure
- 1/4" MPT inlet • 1/8" MPT outlets

\$39.95



5%

PART #	LENGTH	GPM	PSI
2308-040	40"	10.5	3,600

**Unheard of Quality
at unheard of prices!**

COOLDRIVE



**HONDA
ENGINES**

Distinguishing Features

- Patented Cooling Technology
- Cool Air Ventilation Slots
- Perm-A-Line Belt Tension System
- Laser Aligned Pulley Fanning System
- Quick-Release Belt Guard Knobs
- Flat-Free Foam Filled Tires
- Industrial Aluminum Mags
- Block Mounted Unloader

Last much, much longer with the help of Special Cooling Fins that are attached to the pulley keeping clean, cool air passing over the pump and engine.

Comes standard with
GENERAL PUMPS

that safely shuts down the engine in the event you leave the machine in by-pass to long causing the pump head to overheat.

Premium Wheels
Tough powder coated Frame

MODEL	PSI/GPM	ENGINE/HP	PUMP	PRICE
#CD2021H	2600 - 5.6	Honda 13	General TS2021	\$1,550.53
#CD2021C	2600 - 5.6	LIFAN 13	General TS2021	\$1,350.52
#CD1511H	3500 - 4.0	Honda 13	General TS1511	\$1,425.09
#CD1511C	3500 - 4.0	LIFAN 13	General TS1511	\$1,125.18

We manufacture
Environment Friendly Chemicals
that are really worth
'taking out on the town'
Originators of the
55 Gallon Drum Packs.



When you consider that over 80% of the weight of a 55 gallon drum of soap is **THEIR WATER** wouldn't it make sense to use **YOUR WATER?**

Yes - we do have the best
Prices and Selection
in the industry.
But what are we really
best known for?

We manufacture...
**Professional Mobile Wash
CLEANING CHEMICALS**

Quick Connects



The Industry's
Most Popular
Quick Connect

5%

Brass Couplers		
PART #	DESCRIPTION	SALE
QCS4F	1/4" FPT	\$1.85
QCS4M	1/4" MPT	\$1.85
QCS8F	3/8" FPT	\$2.20
QCS8M	3/8" MPT	\$2.20
Stainless Couplers		
QCS4FS	1/4" FPT	\$3.35
QCS4MS	1/4" MPT	\$3.35
QCS8FS	3/8" FPT	\$4.10
QCS8MS	3/8" MPT	\$4.10

Plated Steel Plugs		
PART #	DESCRIPTION	SALE
QCP4F	1/4" FPT	\$.80
QCP4M	1/4" MPT	\$.80
QCP8F	3/8" FPT	\$.90
QCP8M	3/8" MPT	\$.90
Stainless Plugs		
QCP4FS	1/4" FPT	\$1.55
QCP4MS	1/4" MPT	\$1.55
QCP8FS	3/8" FPT	\$1.80
QCP8MS	3/8" MPT	\$1.80

**PREMIUM HIGH VOLUME
WATER FILTER**

For Equipment over 8 GPM



The Industry's Best Filter

- Extra large internal chamber
- Extra large ports for maximum flow
- Handles from up to 30 GPM

PART #	SIZE
1014-123	1" for 8 GPM & up

\$34.95 **5%**

SAVE 5% = E-Mail to soap4hope@envirospec.com ○ FAX to 1-888-851-7278

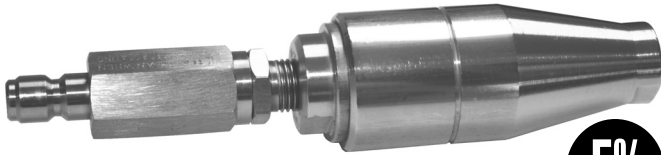
Another EnviroSpec
Exclusive!

\$48.80
Filter Installed

ALLISON HI-TECH STILETTO TURBO LASER

*cuts like a
RAZOR KNIFE
at much higher
RPM*

THE SHARPEST CUTTING TURBO IN THE INDUSTRY!



Industry BEST BUY!

5%

OPERATING PRESSURE 5,100 PSI

Place the **Stiletto Turbo Laser** on the end of the lance - pull the trigger and watch the zero degree laser produce a cleaning path of 10 to 60 degrees* while rotating as high as 3,500 rpm.

Absolutely nothing in the industry cleans like the...
STILETTO TURBO LASER!

At 2,000 to 3,000 psi - you'll lift chewing gum from sidewalks, barnacles from boats, remove graffiti & paint, remove concrete from truck bodies and new construction, rust from trailer frames, etc.

At 5,000 (+) psi - you can remove paint from auto bodies and chew through plywood and concrete.

Yes - there is always a reason to own a...
STILETTO TURBO LASER!

NOZZLE WITH FILTER	NOZZLE SIZE	Repair Kit
STL30	3.0	STL30K
STL35	3.5	STL35K
STL40	4.0	STL40K
STL45	4.5	STL45K
STL50	5.0	STL50K
STL55	5.5	STL55K
STL60	6.0	STL60K
STL65	6.5	STL65K
STL70	7.0	STL70K
STL80	8.0	STL80K

12 Volt, High Volume CHEMICAL INJECTOR INDUCTION SYSTEM

The biggest complaints "EVER" with chemical injectors are:

1. With more than 125' of hose they won't draw chemical!
2. Although it is a 20% injector it doesn't draw enough chemical!
3. I wish I didn't have to use a 'pump-up' to apply bleach!

NOW YOUR HEADACHES ARE BEHIND YOU!

The **Allison Chem-Inductor** which includes the Allison Super Suds Sucker Injector allows you to draw an incredible amount of chemical.

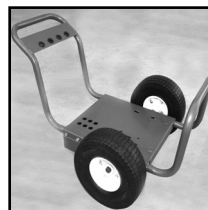
The following test was based on using an injector advertised to draw at 20% (*NOT OURS*) mounted on a TS-2021 General running at 5.6 GPM.

1. With 100' of hose - Injector Only 63 oz. of chem per min.
2. With 100' of hose - WITH INDUCTOR 204 oz. of chem per min.

Now Check This Out!

3. With 500' of hose - Competitors 20% Injector 0 oz. of chem per min.
4. With 500' of hose - WITH INDUCTOR 204 oz. of chem per min.

This means that regardless of which problem you are having you will still induct almost 2 gallons of chemical per minute into the system. Never again will you have to apply the product 2 or 3 times to get the job done. Now you'll be on your way after the first pass. Roof Cleaners using bleach really love this system. No more 'pump-up' or 'back-pac' sprayers to lug around!



Is your cart getting tired?

BEST BUY!

Handles up to 13 HP
Powder Coated w/10" pneumatic tires
#1301 \$59.95

SAVE 5% = E-Mail to soap4hope@envirospec.com ○ FAX to 1-888-851-7278

PRODIGY

Prodigy is, by far, one of the highest, non-caustic detergent concentrations available in the industry.

Prodigy exhibits excellent wetting, chelating, rinsing, and emulsification properties due to its high concentration of our **SuperFlo Polymer Complex System**. This exotic complex is formulated from a variety of unique dispersants, hydrotopes, and surfactants, which are not commonly found in detergent formulations.

The general rule of thumb in detergent formulation is as follows: Approximately 1 gallon of water will hold approximately 1 pound of powder before separation begins. If your product begins to separate using this method, more often than not, your product has been camouflaged with what is known in our industry as "fillers". Fillers provide little to no value to the products integrity and/or performance. They are used primarily to add weight and increase the bottom line profit for the manufacturer. Using the 1 pound per 1 gallon rule, you can see the potency of **Prodigy** when you consider that we are able to thoroughly dissolve up to 2.3 pounds of **Prodigy** into 1 gallon of water without separation. To our knowledge, no other company can make this claim. The advantage of these concentration levels are twofold: 1) the contractor is now able to clean substrates that normally require the use of caustic cleaners and 2) work faster and safer, which increases your bottom line.

As the leader in contract cleaner formulations, **EnviroSpec** goes to great lengths in providing products that are both environment friendly as well as effective, an attitude not commonly found in such a demanding industry.

Since **PRODIGY** came out in 1986 it has grown to the most asked for **Truck Wash Detergent** in the **Professional Mobile Wash Industry**.

This formula was a result of years of testing by professional mobile washers in the Northeast.

Makes Up to 110 Gallons of Concentrate

#ZPPRO \$98.95 Sale Price \$74.95 (40 Lbs)

The Original "Super Suds Sucker"- is back!

For those of you to new or young to remember...

...a few years back we designed a chemical injector that would just about suck the bottom out of the pail. Not only that - we were able to put as much as 500' of hose on the machine and still suck as much chemical as most injectors equipped with only 50' of hose.

Now for those of you who have been 'bugging' and 'begging' for the last 5 years to bring the Super Suds Sucker back you will be happy to know that it is available now.



What do most people say when they first try it?
Now this Sucks!

Part Number GPM Range
#SSS-001 3-10
supplied with additional nozzles that will handle from 2 to 10 gpm.
Complete with quick connects and Chemical Line. **READY TO GO!**

Here are the two primary advantages of owning a Super Suds Sucker and when you think about it - what else is there?:

Longevity

- This could be the last injector you will ever buy. Most of the ones we built 10 years ago are still 'sucking' strong. Yes - a rebuild kit here and there but that's about it!

Product to Surface

-When we first came out with this product we told people then that "if you can't get the product to the surface you may as well stay at home" - the same holds true today. With a Super Suds Sucker you will definitely get the product to the surface.

Regular \$99.95

\$44.95

'M-16 THRUSTER NOZZLE' REACHES 3-4 STORIES FROM THE SAFETY OF THE GROUND!

The purpose of a THRUSTER NOZZLE

As all of you who downstream chemical know - all chemical injectors limit the amount of chemical you can get to the surface as well as how far you can throw the chemical.

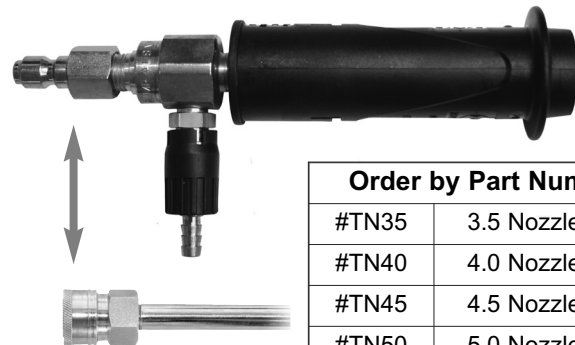
Most chemical injectors will draw around 10%-12% and oftentimes that is not near enough. The reason for this limited draw is because the more high pressure hose you have on your system the less the injector will draw.

I am sure you will also agree that on many structures a chemical injector will not throw chemical high enough to reach those 'hard to get to' areas. When this happens the only recourse is the "much dreaded" ladder.

The **THRUSTER** attaches to the end of your lance and allows you to stand on the ground and throw chemical as high as 30-45 feet.

\$49.95

5%



'Push'

for Fully Adjustable Soap from 0° to 65°

'Pull Back'

for Adjustable High Pressure from 0° to 65°

Order by Part Number

#TN35	3.5 Nozzle Size
#TN40	4.0 Nozzle Size
#TN45	4.5 Nozzle Size
#TN50	5.0 Nozzle Size
#TN55	5.5 Nozzle Size
#TN60	6.0 Nozzle Size
#TN65	6.5 Nozzle Size
#TN70	7.0 Nozzle Size
#TN80	8.0 Nozzle Size
#5000RK	Repair Kit

**COMES STANDARD WITH:
50' OF CHEMICAL LINE
PREMIUM STAINLESS FILTER**



LIMONENE

The Industry's #1 SELLING Exterior House Wash

Contains Orange Peel Solvents &Gloss Enhancers

With the evolution of the environment conscious homeowner more and more contractors are looking for an effective alternative to the less friendly bleach and solvents commonly found in surface chemistry dealing with wood, aluminum and vinyl siding.

These solvents, coupled with specific pH balanced surfactants and builders, provide the contractor with excellent command of the "ever changing" exterior house washing market.

Limonene has excellent hydrotoping characteristics through the use of a unique dispersant complex which is not commonly found in detergent chemistry. This complex, known as **SuperFlo Polymer**, has been developed by EnviroSpec and is found throughout our detergent formulary because of its tremendous emulsifying capabilities.

At the onset of the formulation process we took into consideration that many contractors use cold water pressure washers. Generally speaking, the use of cold water systems will result in a difficult rinsing process with most detergents. You will find that **Limonene** has superior rinsing qualities in both hot and cold water environments. The end result? You will clean faster and safer with **Limonene**.

Limonene is another step that has been taken by EnviroSpec to provide our customer with environment friendly, 'Top Shelf' cleaning products without sacrificing aggressive surface activity required by the professional.

Makes Up to 110 Gallons of Concentrate

#ZPLIM ~~\$99.95~~ Sale Price \$81.95 (53 Lbs.)

EMULSIFIER PLUS Bleach Friendly DETERGENT

For the very best of all worlds
add 3 gallons of product to 2 Gallons of Bleach
Contains Gloss Enhancers

Emulsifier Plus - is one of the Original House Wash Formulas developed by EnviroSpec. Knowing that Bleach works better than anything for killing and cleaning Mildew and taking into account that Bleach does absolutely nothing about cleaning carbon type pollutants such as acid rain, exhaust carbons, dirt, grease and grime the dilemma was - how to do both at the same time!

Bleach, for the most part, does not like to be blended with other chemical products and many of the chemical products found in the professional mobile wash industry can create a serious explosive situation when mixed with sodium hypochlorite (bleach). **Emulsifier Plus**, on the other hand, is the answer to both the safety issue as well as the cleaning problem. These two products work extremely well together when blended and applied in accordance with the EnviroSpec instructions. Have the best of both worlds - Clean and Kill Mildew and Clean All the other Pollutants typically found on an exterior substrate. And do it all in one pass!

Emulsifier Plus has a pH of around 11.8 to 12.0 in a 1% solution. This unique blend of Surfactants & Builders has been specifically formulated for the House Wash Industry as a stand alone detergent or a detergent additive to be blended together with Bleach.

Emulsifier Plus works great on removing heavy build-ups of grease, grime and general fallout pollutants generally found in high traffic areas and exhibits excellent wetting, chelating, rinsing, and emulsification properties. Its ability to hold pollutants in suspension during the wash process makes it an ideal product when using either hot or cold water pressure washers.

Emulsifier Plus comes packaged in a single very moist powdered system which is loaded with specialty solvents and gloss enhancers.

Makes Up to 110 Gallons of Concentrate

#ZPEMUP ~~\$84.95~~ Sale Price \$68.95 (40 Lbs.)

GUTTER SWEEP

5%



\$5.95

- 12" gutter cleaner
- 1/4" "QC" connectors

"Attach it to the end of your lance, snap in your favorite nozzle, position it over the gutter
...and pull the trigger!"

PART #	DESCRIPTION
GSWEEP	Gutter Sweep

CHEMICAL METERING BALL VALVE

5%



\$9.95

- Solid brass construction
- MPT x 1/4" hose barb
- Can be used in conjunction with our 3-way valve to quickly meter chemicals by simply "throttling" the valve

Part #	DESCRIPTION
2927-102	Valve

Best Price in the Country!

18 HP Vanguard

Hot Water Ready with 20 Amp Recharging System

If you are replacing a Briggs on a hot water machine with a 12 volt burner this is the

Only Briggs Engine that will work!



*Includes:
Exhaust, Aux Pull-Start,
Fuel Filter
Low Oil Shutdown*

**Sale Price
\$995.00**

#BS18

Call your orders in or 'Shop On-line' to save an additional 5% on most items.

America's Favorite Pressure Washers are now equipped with **HI-TEMP GENERAL PUMPS**



This 'ready to go system' is equipped as follows:

- o 13 HP Engine with easy start and low oil shut-down
- o General Pump with hi-heat system
- o Unloader
- o Safety relief Valve
- o Chemical Injection
- o Gun, Hose & Lance
- o 5 Quick Connect Nozzles
- o 'Tuff-Coat' Frames

These Hi-Temp General Pumps are designed to Shut-down a gas engine in the event the pump head overheats. This is a common occurrence when the trigger is released and the pump goes into by-pass. Typically the pump head will begin to overheat within 3 minutes from the time the trigger gun is released. This will spike the pump head to approximately 150°. Here is where you start losing packing life. Within 4-5 minutes without introducing fresh water into the system you have lost approximately 10%-20% of your packing life expectancy. At \$ \$150 to \$400.00 per pump head rebuild you can see where these units will pay for themselves in a short period of time.

MODEL	PSI/GPM	ENGINE/HP	PUMP	PRICE
#2021H	2600 - 5.6	Honda 13	General TS2021	\$1,514.38
#2021C	2600 - 5.6	LIFAN 13	General TS2021	\$1,192.47
#1511H	3500 - 4.0	Honda 13	General TS1511	\$1,386.94
#1511C	3500 - 4.0	LIFAN 13	General TS1511	\$1,085.03

ALLISON "SUDS SUCKER"

READY TO GO 'SUDS SUCKER'

**THE BEST
"DRAW RATES"
IN THE INDUSTRY
DESIGNED BY:
ENVIROSPEC**



ADJUSTABLE

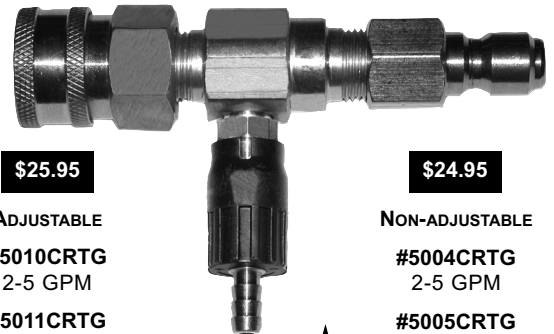
#5010C
2-5 GPM
#5011C
5-8 GPM
\$16.95

5%

NON-ADJUSTABLE

#5004C
2-5 GPM
#5005C
5-8 GPM
\$13.95

**Complete with:
STAINLESS QUICK CONNECTS
10' OF CHEMICAL LINE
OUR BEST STAINLESS & BRASS CHEMICAL FILTER**



\$25.95

ADJUSTABLE

#5010CRTG
2-5 GPM
#5011CRTG
5-8 GPM

\$24.95

NON-ADJUSTABLE

#5004CRTG
2-5 GPM
#5005CRTG
5-8 GPM

**More EnviroSpec
Exclusives!**

- Up to 20% DRAW RATE
- Machined Brass
- Ceramic Ball for harsh chemicals & chlorine
- 316 Stainless Nozzle
- Rated to 5,000 PSI
- Viton® O'ring

5%

These unique features guarantee you that Allison Injectors are the best in the industry!

OUR #1 SELLING Cold Water Pressure Washer

REGULAR PRICE \$1,295.00
#UBI-4035



\$599.00
4.0 GPM
3500 PSI

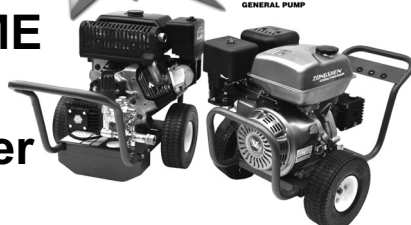
3,500 PSI
4.0 GPM
13 HP
Lo-Oil Shutdown
General Pump
2 Wheel Cart

**Chem Injector
Unloader
Safety Valves**
Does not include:
Hose, Gun, Nozzles
Minor Assembly
Required

**Add \$50.00 for Hi-Temp General Pump Shut-down
and refer to Part #HTSD**

#1 HIGH VOLUME Cold Water Pressure Washer

REGULAR PRICE \$1,795.00
#UBI-5526



\$799.00
5.5 GPM
2600 PSI

2,600 PSI
5.5 GPM
13 HP
Lo-Oil Shutdown
A-R Pump
2 Wheel Cart

**Chem Injector
Unloader
Safety Valves**
Does not include:
Hose, Gun, Nozzles
Minor Assembly
Required

1-800-346-4876
ESPEC

751 MLK Highway
 Homerville, GA 31634

PRSRT STD
 U S POSTAGE
PAID
 THOMASVILLE, GA
 PERMIT NO. 92

STEEL EAGLE...None better!



If you do a lot of flat surface cleaning this is the brand to get.

Equipped with a **DUBLIN SWIVEL**

We recommend a 24" max if your are using a 5 GPM or less machine.



#242	24" - 2 Bar	\$ 799.95
#243	24" - 3 Bar	\$ 849.95
#244	24" - 4 Bar	\$ 899.95
#302	30" - 2 Bar	\$ 799.95
#303	30" - 3 Bar	\$ 869.95
#304	30" - 4 Bar	\$ 899.95
#302A	30" - Adjustable 2 Bar	\$1099.95
#303A	30" - Adjustable 3 Bar	\$1139.95
#304A	30" - Adjustable 4 Bar	\$1169.95

NO FURTHER DISCOUNTS



5%

TRUCK & HOUSE WASH BRUSHES

All new, non-absorbing poly-foam block lasts longer.

"YELLOW"

Flag-tipped bristles hold much more water than others.

"GREEN"

Flag-tipped, Hi-Pile bristles holds the most water.

Acme thread for telescoping poles, flow-thru or broom handles. Resist chemical better than any brush we have found.

PART #	DESCRIPTION	COLOR	
5055-100	10" Hi-Pile Truck Wash	GREEN	\$13.95
5055-101	10" Truck Wash	YELLOW	\$ 9.95
5055-102	18" Truck Wash	YELLOW	\$14.95
5055-103	24" Truck Wash	YELLOW	\$19.95
5055-104	14" Hi-Pile Truck Wash	YELLOW	\$14.95
5055-105	14" Fine Finish Tractor	GREEN	\$18.95

We accept VISA, Master Card Discover & AMEX

Hot water equipment must be paid for in advance by Certified Funds

Minimum Order is \$50.00

As the industry's most trusted supplier EnviroSpec sells only first line - brand new products. We do not refurbish used products and sell them as new. We have a total of 35,000 square feet of industrial space in two States and we will not show you pictures of our suppliers/manufacturers facilities to mislead you into thinking theirs are ours.

...and remember - when you see the

5%

you will save an additional 5% off on that item if you e-Mail or Fax your order to us.

Shipping from: Milwaukee, WI or Homerville, GA - 1-800-346-4876

Minimum Order \$50.00 - Revised Date: 06-01-08

CATALOG 06081001